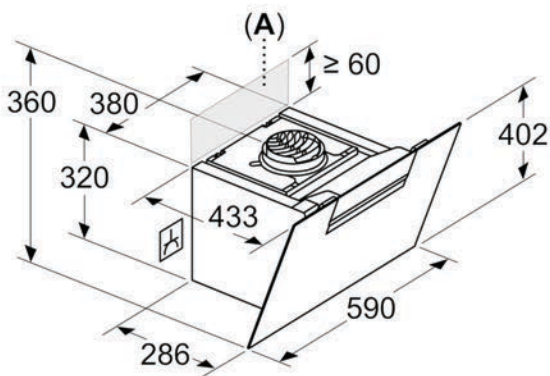


Measurements in mm  
**Appliance in circulated air mode without duct**



Socket can be fitted to the side of or above the appliance

**A:** Socket only outside the marked area