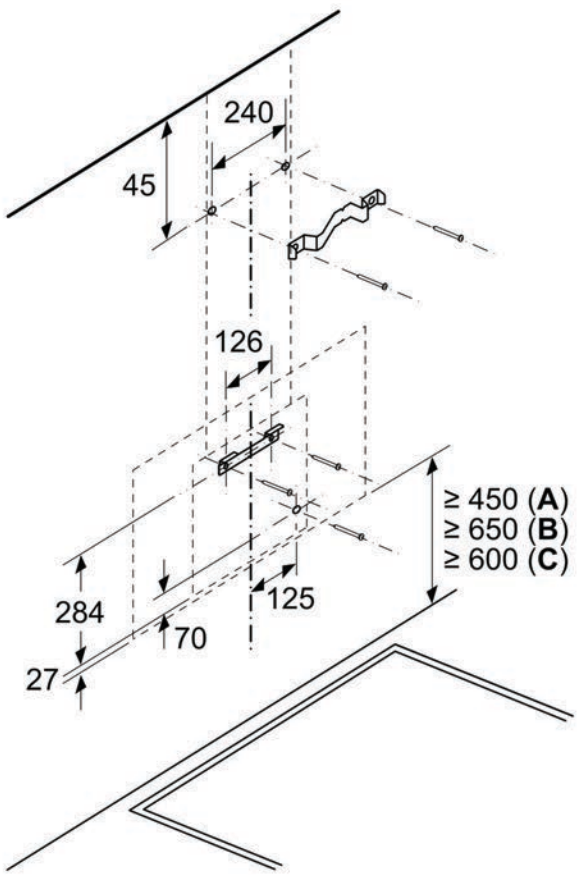


Measurements in mm
Wall installation with chimney



A: Electric

B: Gas - from upper edge of pan support

C: Electric - for Australia and New Zealand