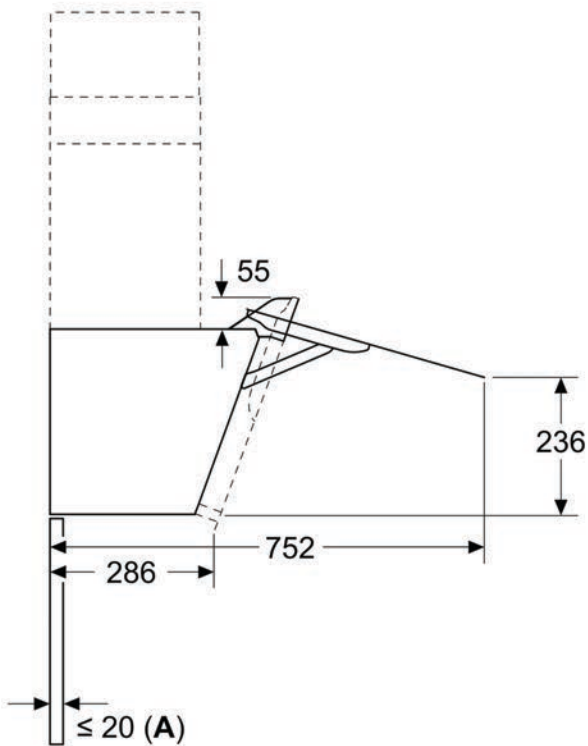


Measurements in mm



A: Max. back wall thickness