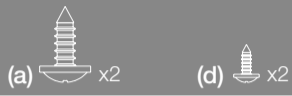


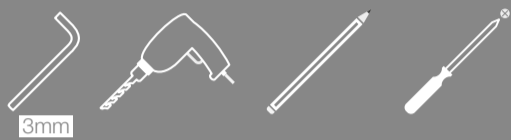
how to fit the soft close to a sliding door

Assembly Instructions

Fixings included:

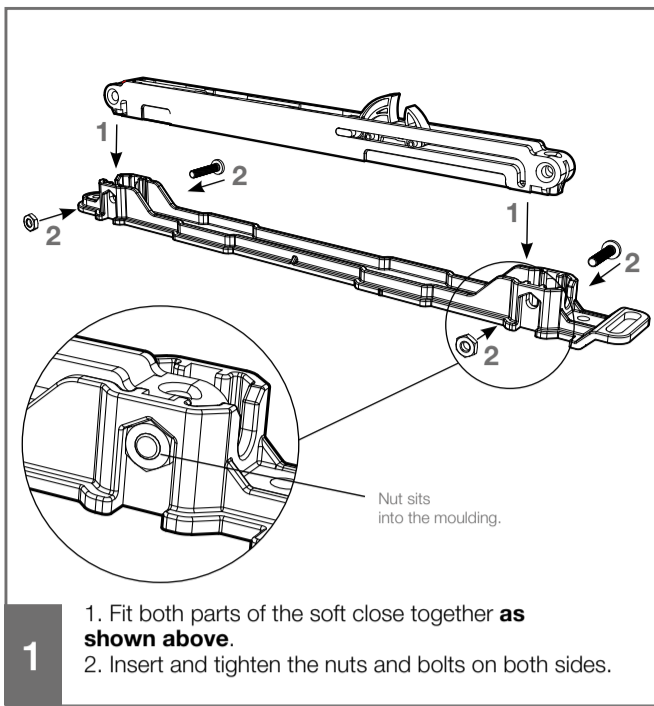


Tools required:

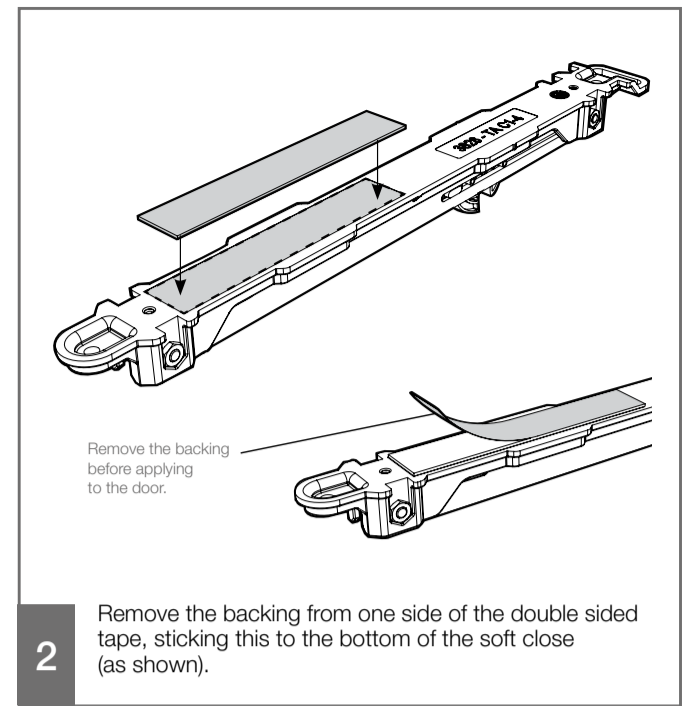


! Please check your opening for any hidden electrical wires and water pipes before screwing.

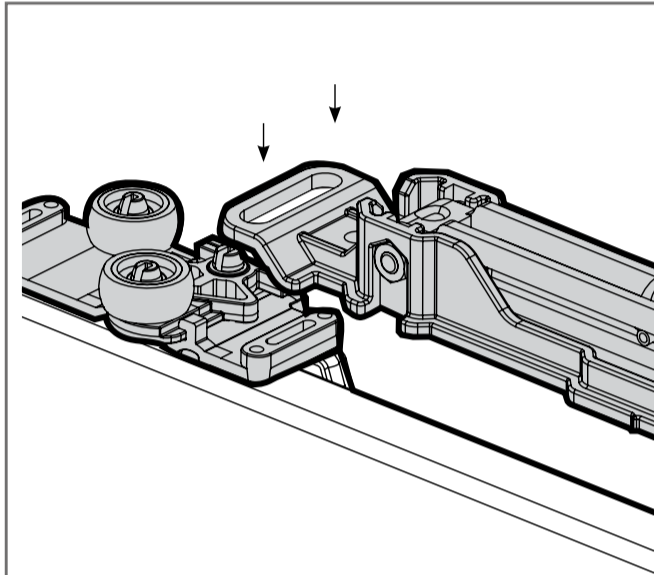
v1



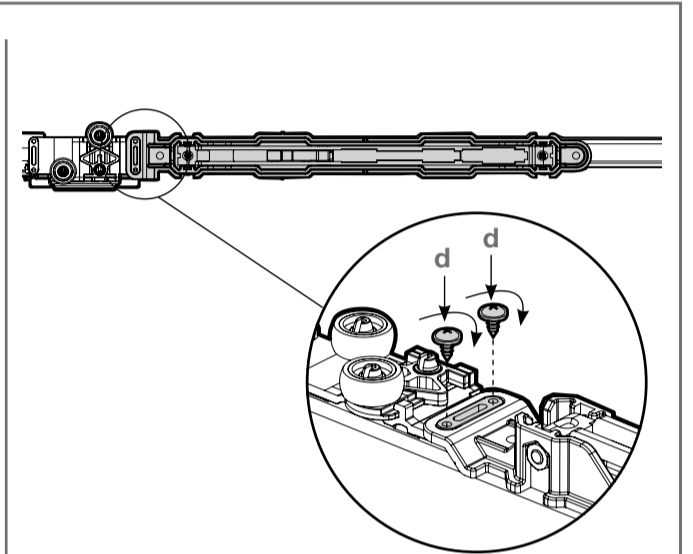
1. Fit both parts of the soft close together **as shown above**.
2. Insert and tighten the nuts and bolts on both sides.



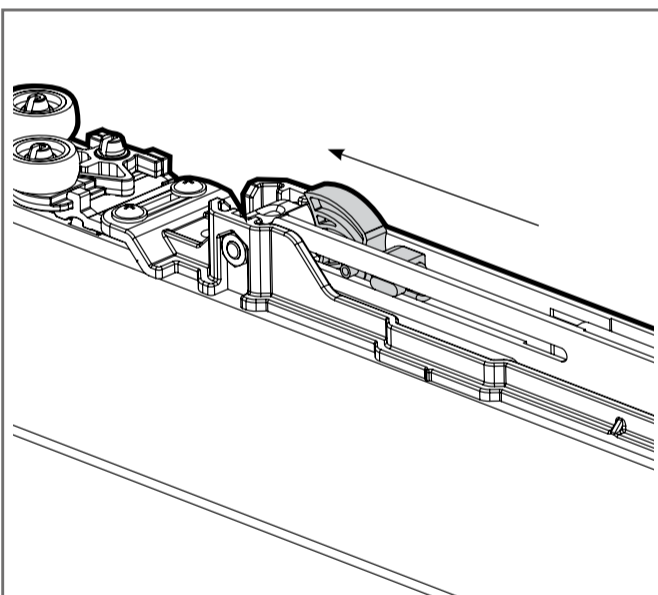
2. Remove the backing from one side of the double sided tape, sticking this to the bottom of the soft close (as shown).



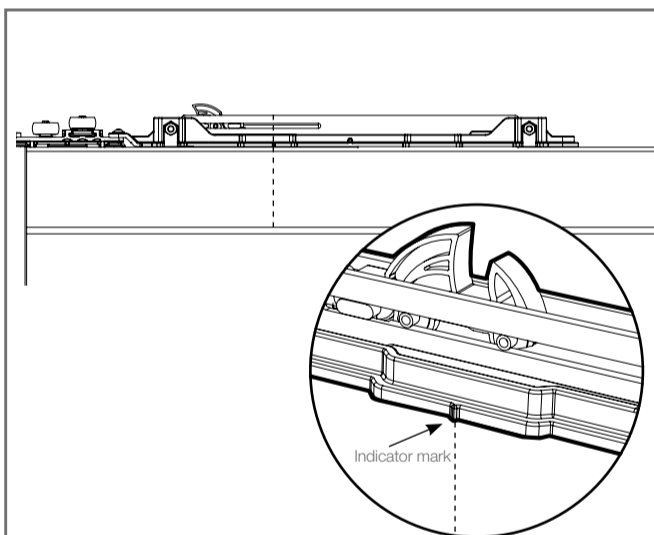
3. Align the slot on the soft close housing with the tab on the top guide. Stick the soft close to the top edge of the door ensuring the slot has located on to the tab.



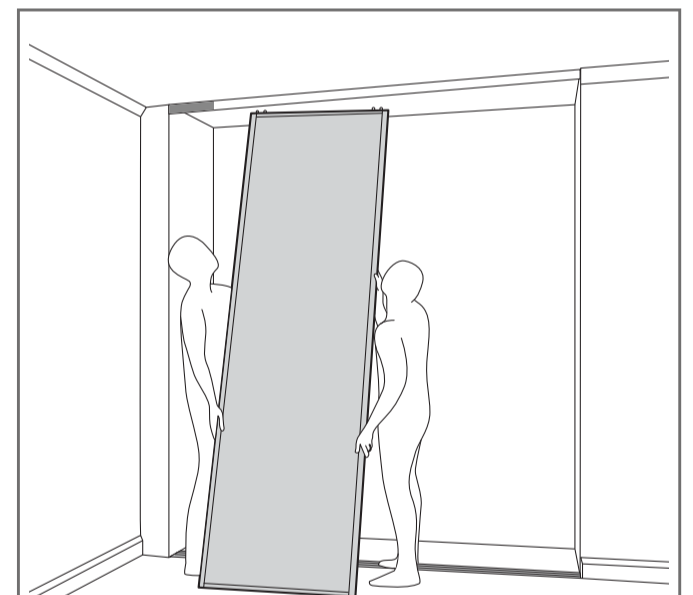
- Keeping the soft close parallel to the door, secure the soft close in place by screwing the 2x 3mm screws (d) into the holes in the top guide tab.



4. Prime the soft close by sliding the nib fully across until you hear a click.

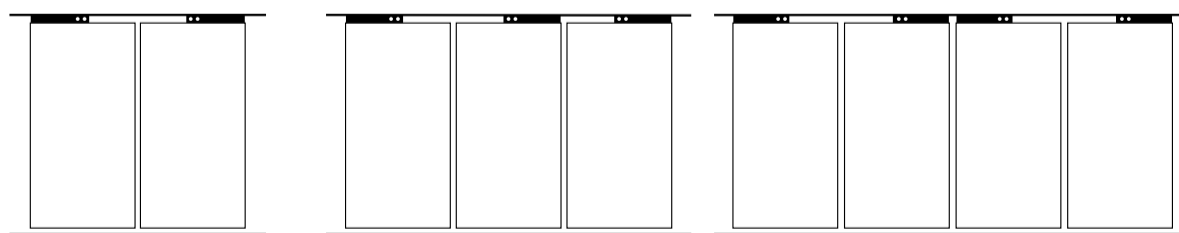


5. Using a pencil, transfer the indicator mark from the soft close unit onto the door.

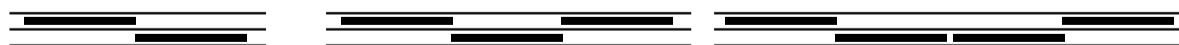


6. Insert one door at a time into the track. Repeat where necessary.

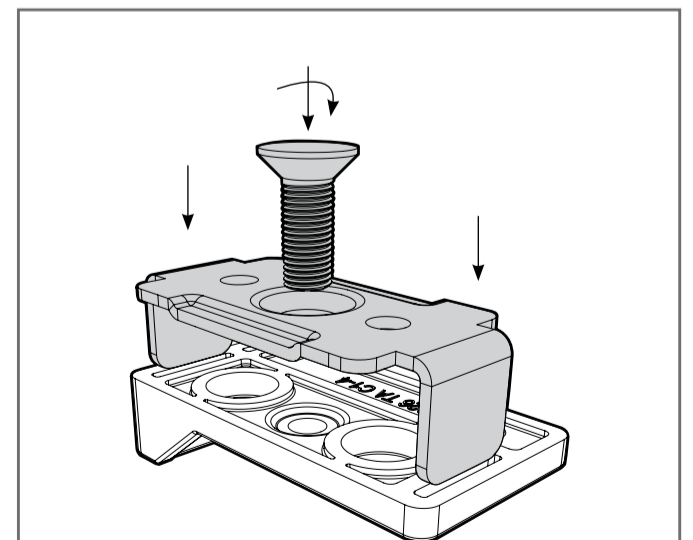
FRONT VIEW



PLAN VIEW

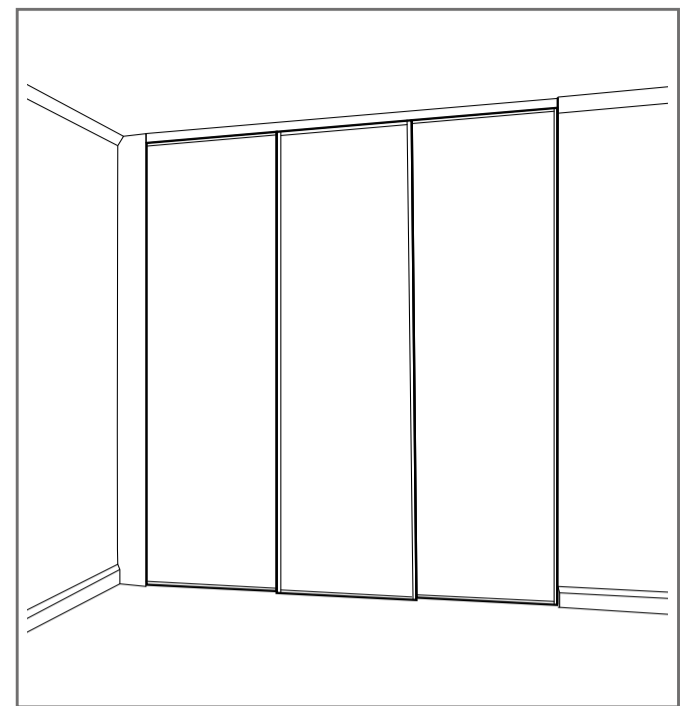
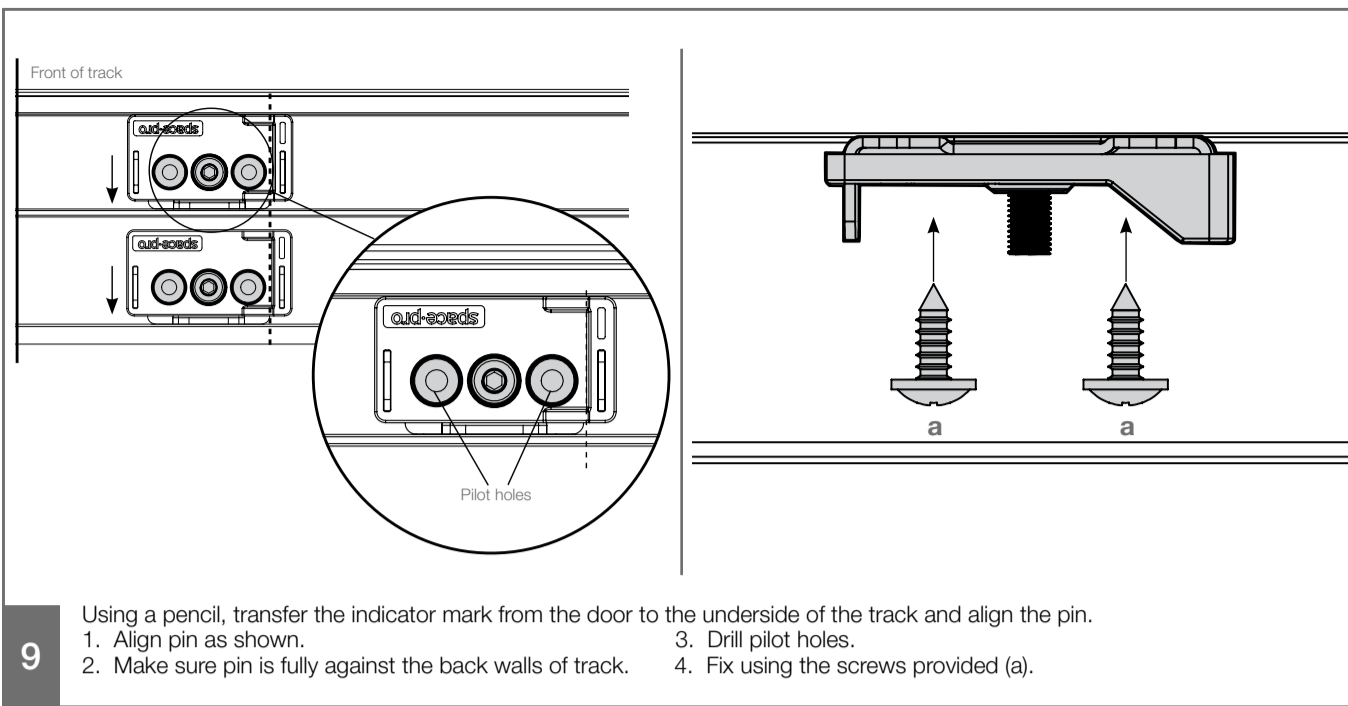


7. Position your doors to the fully closed position depending on your configuration (as shown above).



8. To assemble the soft close pin, align the steel plate to the plastic bottom. Insert tabs into plastic slots and tighten the screw with an Allen key.

Please see reverse for continuation of instructions.



if the soft close
doesn't engage
first time

