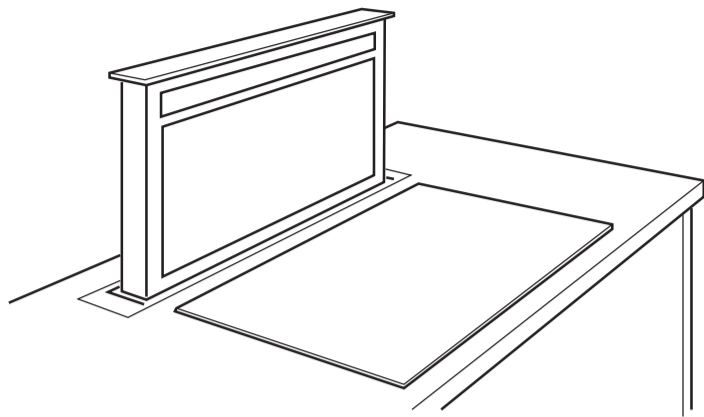


Neff Downdraft Hood & Hob

950mm Island Application

LEAFHDE



This leaflet shows how to cut the aperture in the worktop and cabinet (where required) to suit the installation of the appliances. This product installation is only suitable for an island application.

Follow the appliance fitting instructions (supplied with the appliance), for all other aspects of installation.

The kitchen installation manual should be followed for all aspects of cabinet and worktop installation

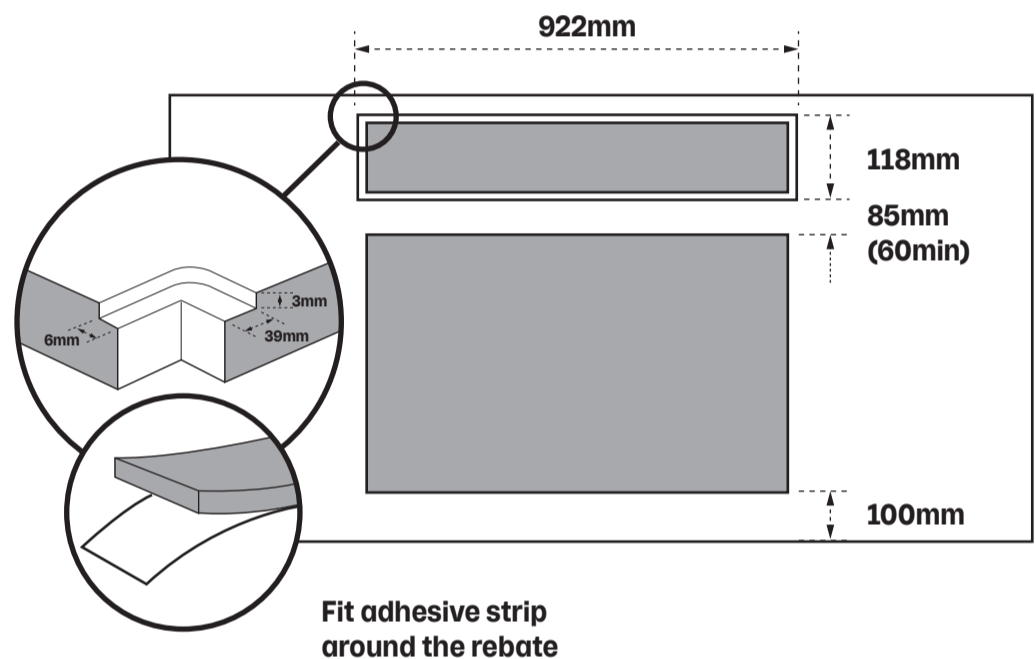
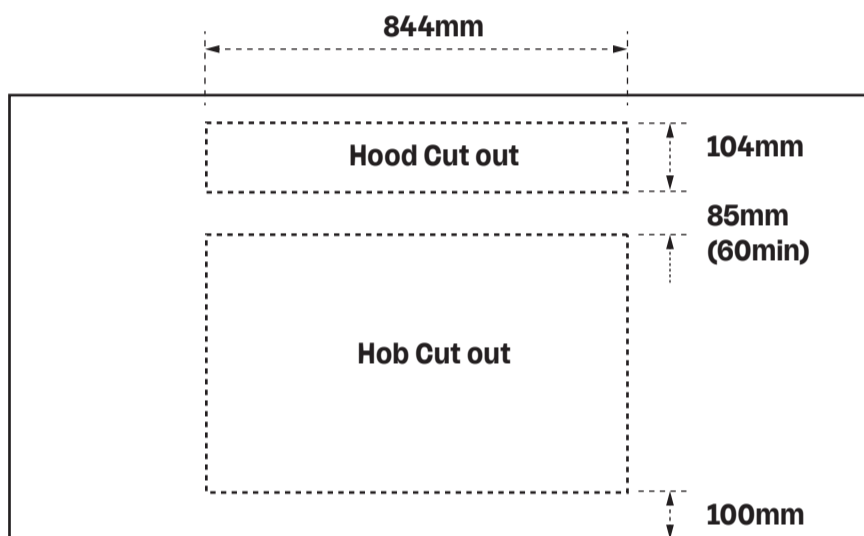
Installation - 950 Breakfast Bar

1

Cut the aperture in your breakfast bar following the dimensions below.

Note: The minimum dimension between the apertures should be 60mm, however we recommend 85mm to give space for drawer applications to be fitted to the front cabinet.

Rebate the cut out and apply the seal as shown below.



Installation - Cabinet modification

Installation shows the use of a base cabinet with 290mm depth wall cabinet (back to back)

2

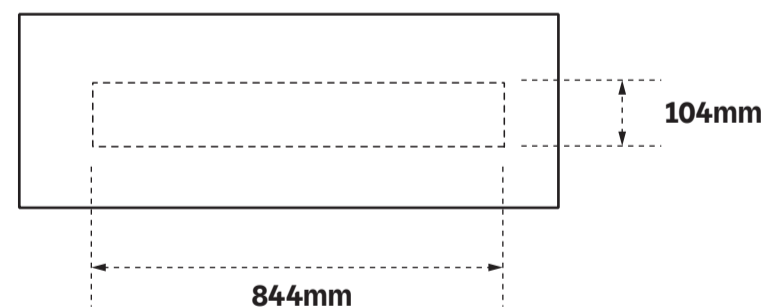
For a breakfast bar thickness below 38mm, the base of the cabinet will need to be cut out for the bottom of the hood to fit into.

This cut out will be directly below the breakfast bar cut-out once fitted located in the base panel of the wall unit.

Follow the dimensions shown for this application.

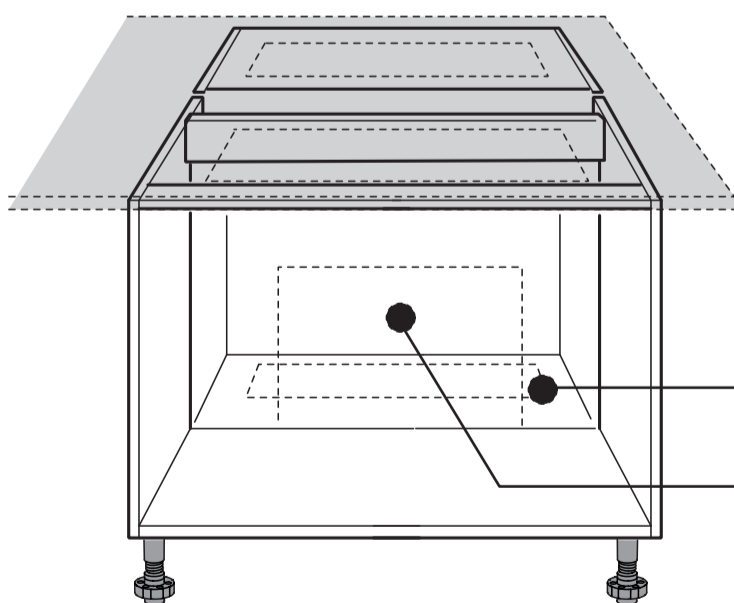
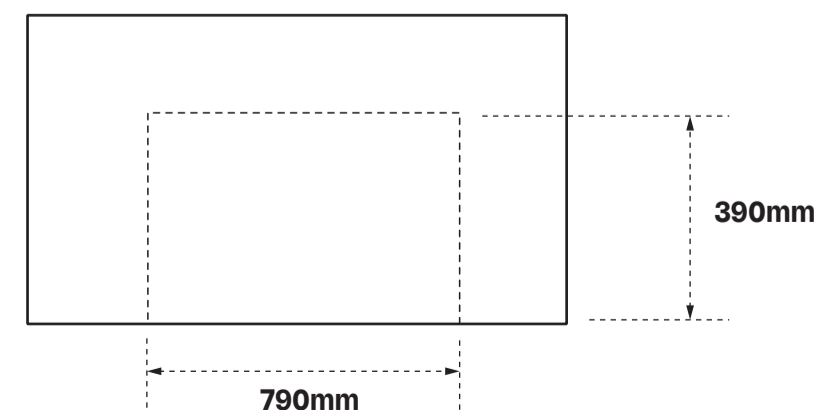
Base cabinet - base panel cut out

(only required when worktop thickness is below 38mm)



Cabinet back panel cut-out

(Required for hood motor and electrical box)

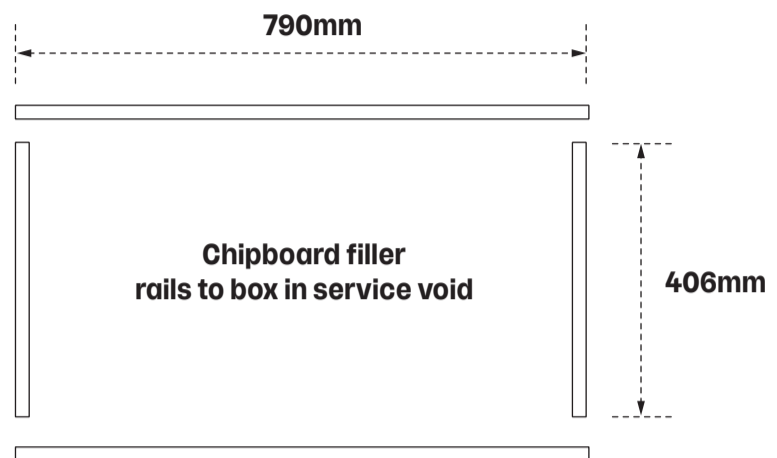
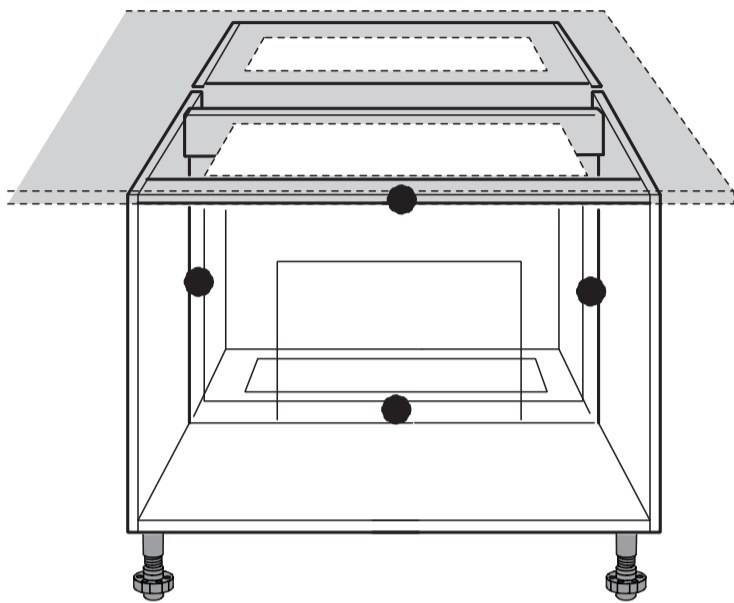


Cabinet configuration is base and wall back to back

Cabinets (both base and wall) will require the back panels cutting in order to fit the electric and motor boxes of the hood. See cut out dimensions below.

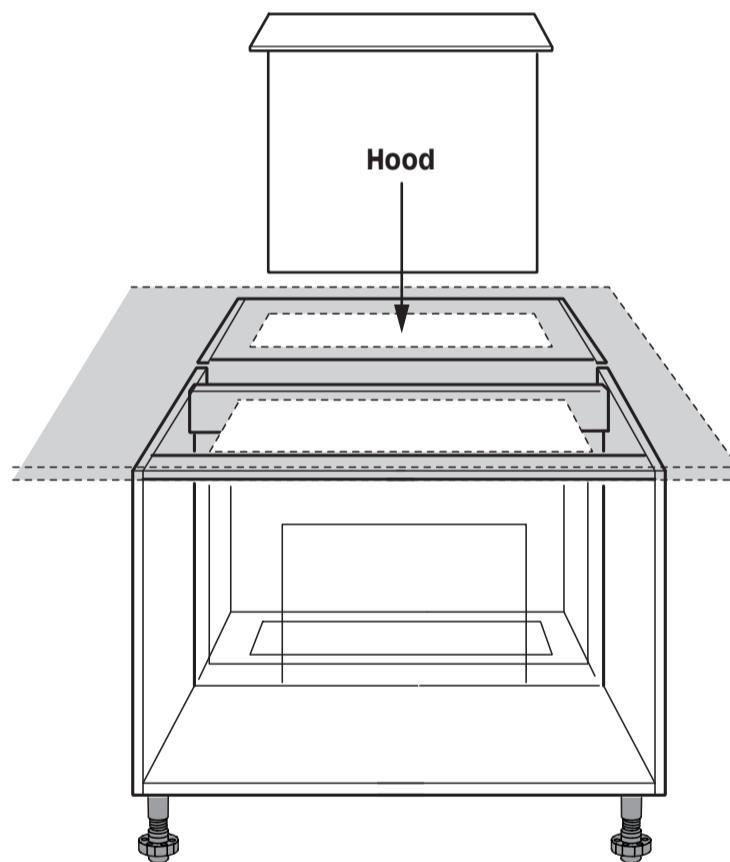
3

Use chipboard offcuts to create filler panels to cover gap in service void between the back of the back and wall cabinets, (x2 - 406mm x 92mm, x2 - 790mm x 92mm) and secure using angle brackets and fixing plates (not supplied).



4

Fit hood into worktop aperture ensuring the motor box and electrics are not attached to the hood body at this point. Fix to base of wall cab using 2x lower mounting brackets supplied with the hood (follow appliance instruction manual). Note: Top mounting brackets cannot be fitted due to restricted access.



5

Loosely fit motor box to front of hood body, mark and cut aperture for exhaust ducting as required (typically out the base of the cabinet). Refit and tighten motor box to hood body. Fit ducting to motor box as required. Finally connect electrics and test the appliance. Follow the instruction booklet supplied with the product for all other aspects of product installation and use.

