

# Adjustable Wall Bracket

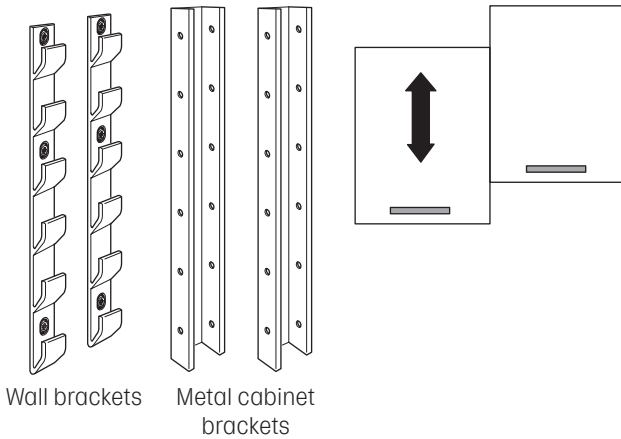
# LEAFAWB

NOTE: Ensure packaging is disposed of in a safe environmentally friendly way.

Wall unit can move up and down. Always maintain 3 positions of contact on the wall bracket.

**IMPORTANT:**

Maximum weight load capacity per set of brackets is 90kgs.  
**Existing wall cabinet brackets can be left in place.**



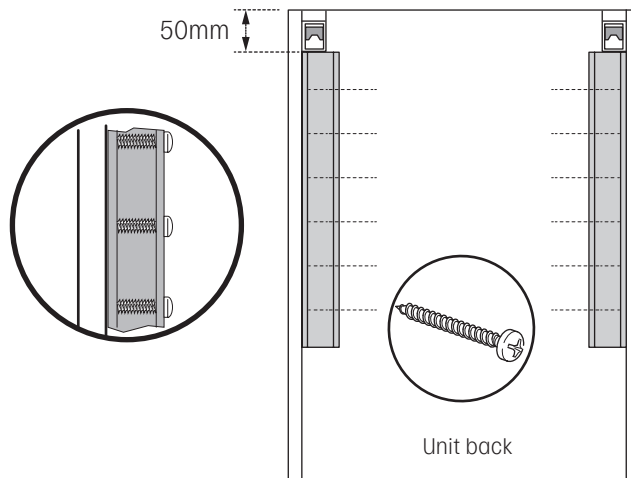
Wall brackets

Metal cabinet brackets

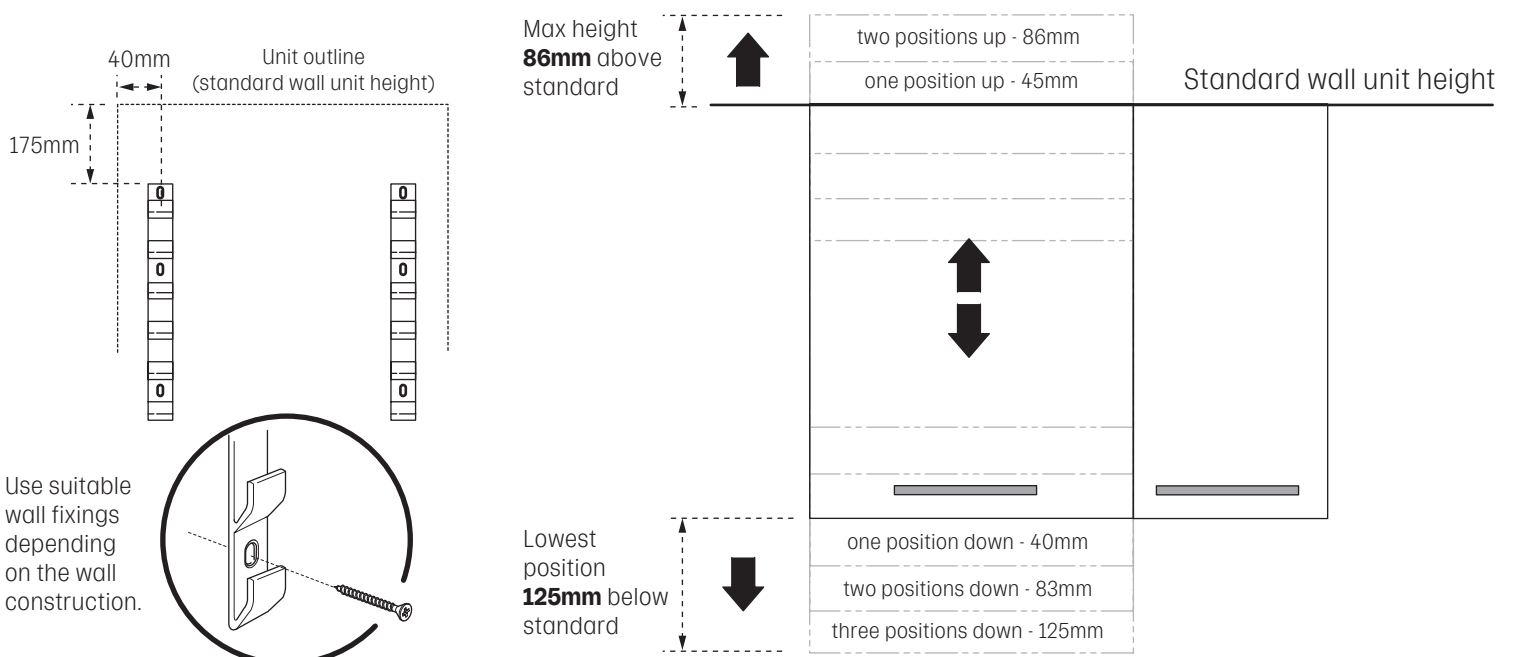
## Assembly

**Ensure back panel pins are flush with surface of the side panel before fitting brackets**

**1** Fit the brackets to the back of the cabinet using the screws provided. Brackets should sit flush against the side panel.



**2** Mark the standard height of the cabinet on the wall. Fit the wall brackets following the dimensions shown. Carefully hang the cabinet to the wall, hooking onto the brackets at the chosen height.



Use suitable wall fixings depending on the wall construction.