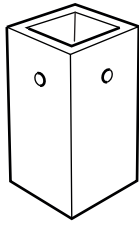
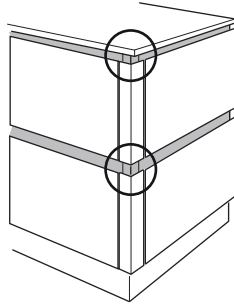


Drawer profile corner piece



Worktop profile corner piece



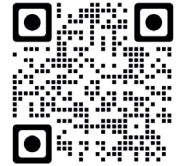
Important Notes:

Ensure packaging is disposed of in a safe environmentally friendly way.

USE THIS LEAFLET IN CONJUNCTION WITH YOUR KITCHEN INSTALLATION MANUAL WHICH CONTAINS ALL ASPECTS OF PROFILE INSTALLATION.

The corner piece is an optional solution to mitring the profiles.

Scan the QR code with your smart device, to access a short installation video

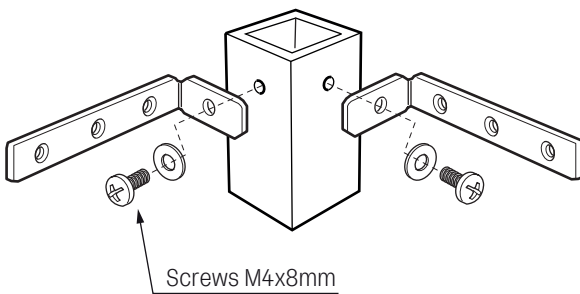


PRE-BUILD

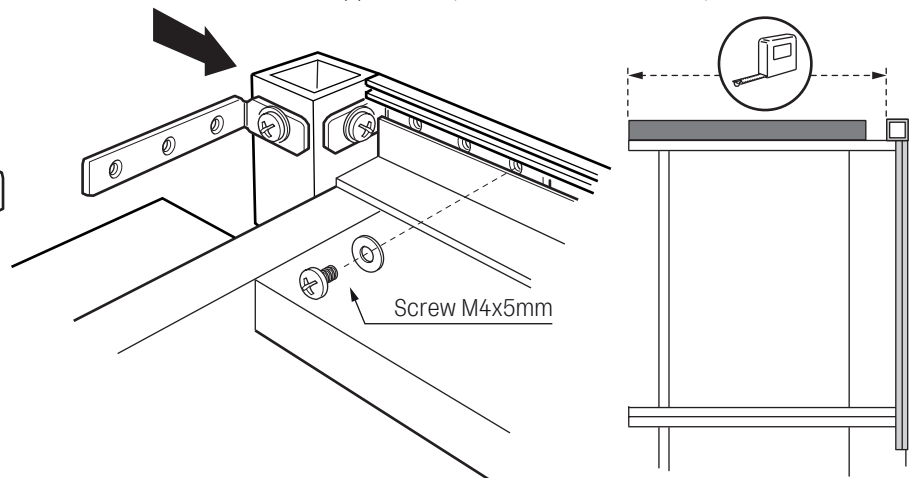
Before fitting your corner pieces, the worktop front profile and the drawer front profiles should have been fitted. Follow the kitchen installation manual for how to cut and fit profiles (profiles should be flush with the cabinet side panel). MDF spacer rails should also be fitted to the side of the cabinet for profiles to secure to.

Assembly - Worktop corner piece

- 1** Fit the brackets to the corner piece using the screws and washers to secure.

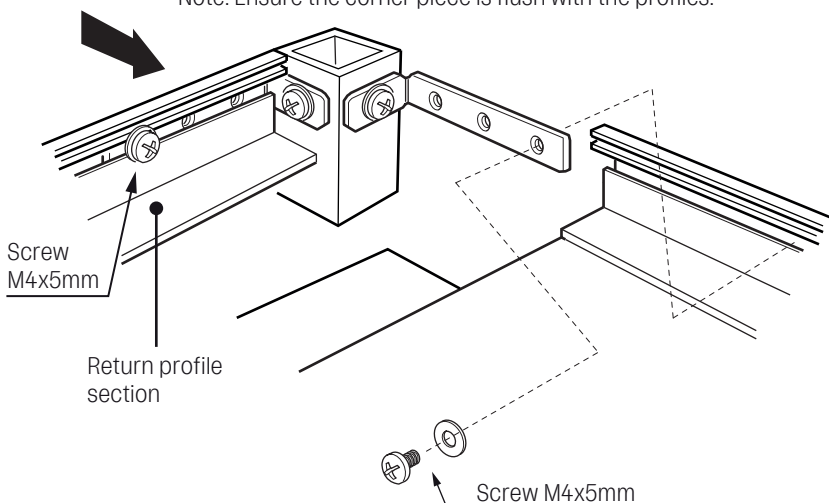


- 2** Fit the corner piece to the back of the worktop profile and measure the length of the return profile. Note: This will be different depending on your unit application (i.e return to wall or island).

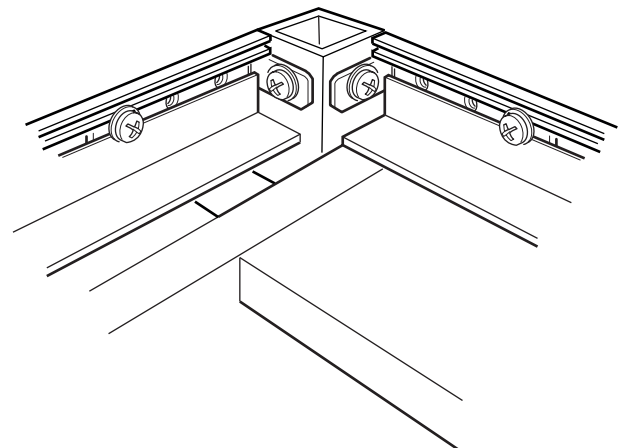


- 3** Remove the corner piece and fit to the cut return worktop profile section using the screw and washer to secure. Fit the return section to the front profile aligning the bracket and using the screw and washer to secure.

Note: Ensure the corner piece is flush with the profiles.

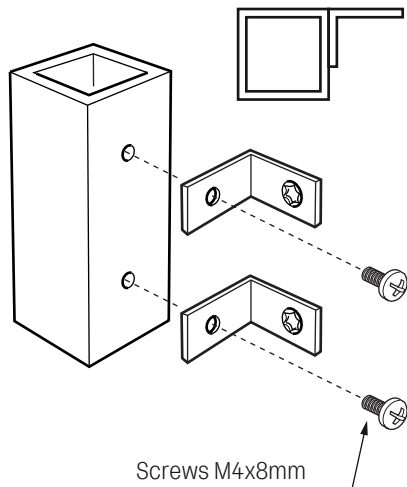


- 4** Tighten all screws. Secure the return profile to the cabinet using the metal plates supplied with the worktop profile (see installation manual for details).

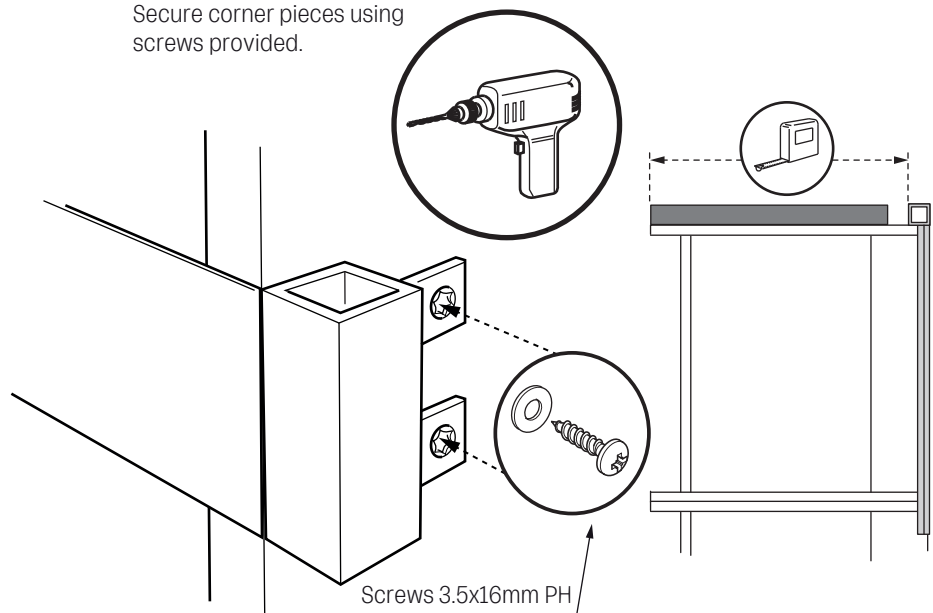


Assembly - Drawer corner piece

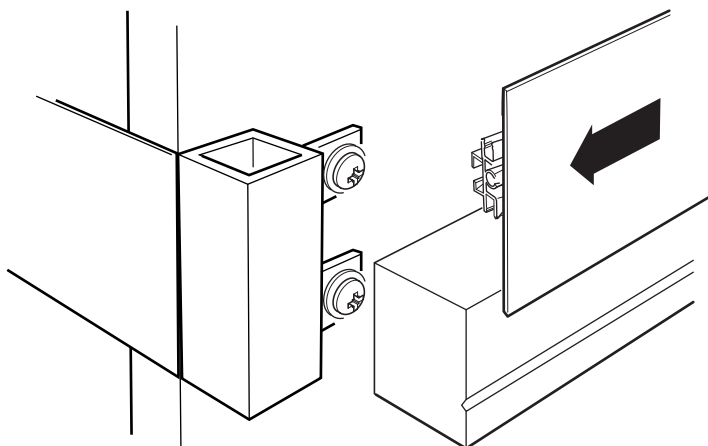
- 1** Fit the brackets to the corner piece



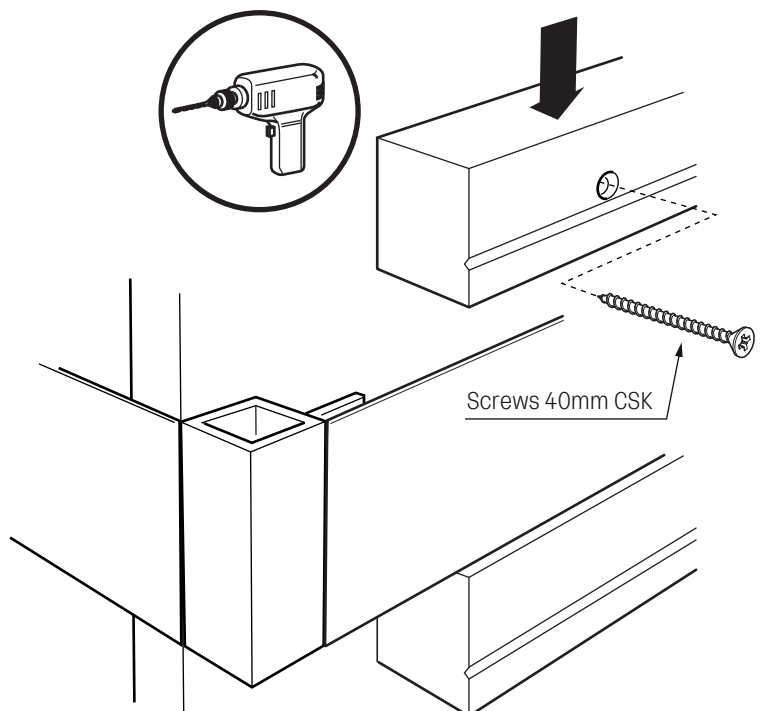
- 2** Position the corner piece to the side of the cabinet flush with the drawer profile. Mark and drill pilot holes. Measure the distance for the return profile & cut profile to size. Note: This will be different depending on your unit application (i.e return to wall or island). Secure corner pieces using screws provided.



- 3** Fit the drawer profile return section locating to the top of the MDF spacer rail. Align flush against the corner piece.



- 4** Cut and fit the MDF section to the top of the profile. Pilot drill, then secure the rail to the cabinet.



- 5** Finally, assemble and fit the corner post/decor end assembly following the kitchen installation manual.