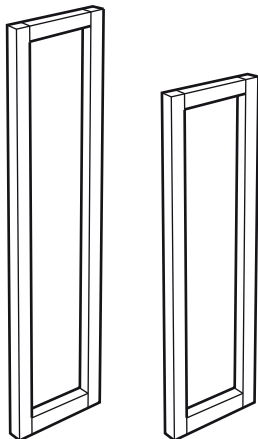


# Face Frames

## Installation

# HADLE1



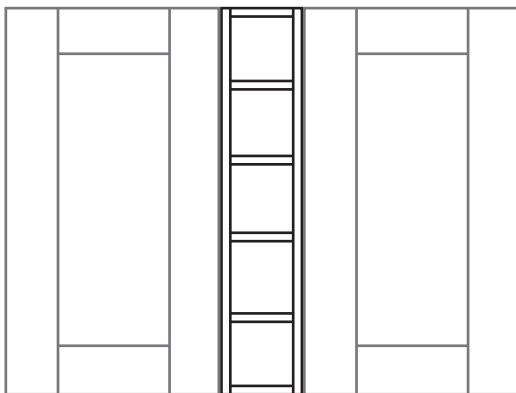
### Important Notes:

Ensure packaging is disposed of in a safe environmentally friendly way

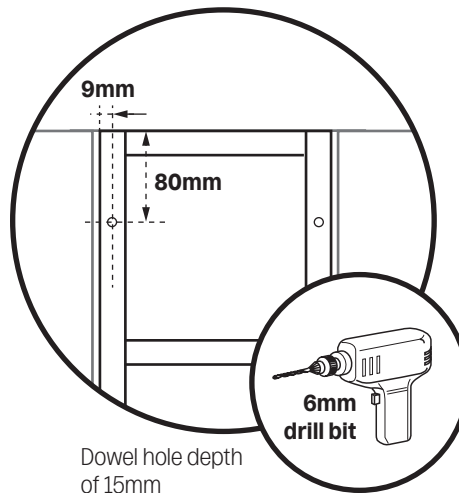
**Cabinets should be fitted with adjoining cabinet doors in place, before fitting the face frame. This will ensure correct alignment of the frame to the cabinet.**

## Assembly

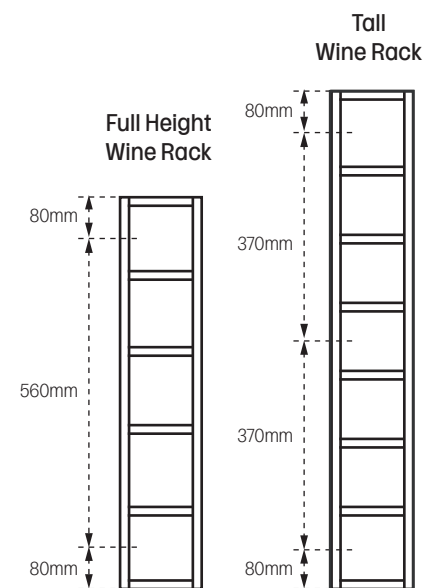
1



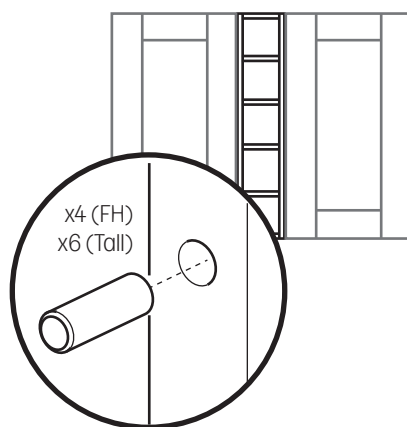
2



Dowel hole depth of 15mm



3



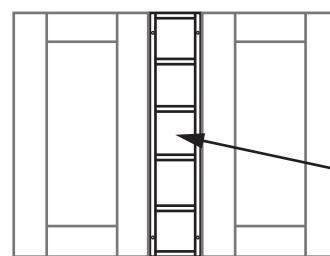
x4 (FH)  
x6 (Tall)

Apply glue to dowel holes then gently tap dowels into position in the front edge of the wine racks.

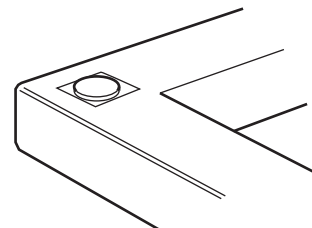
4

Fit door bump-ons (x6) to each corner & centre of the frames.

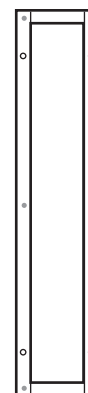
Apply glue to dowel holes in frame. Fit frame aligning glued dowel holes with dowels.



Ensure frame is aligned with adjoining doors.



Full Height Frame



Tall Frame

