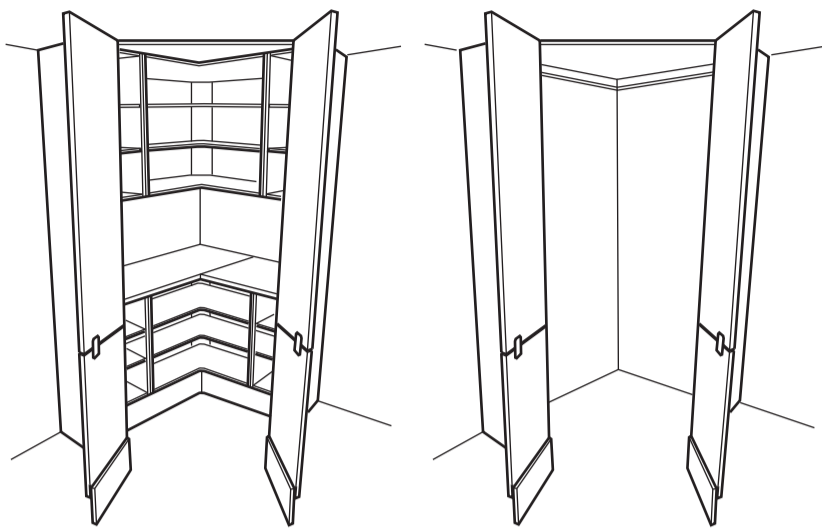


# Corner walk in larder unit

Installation and fitting options

**LEAFWICLTP**



**Important Notes:**

Ensure packaging is disposed of in a safe environmentally friendly way

We recommend this unit is constructed with supporting cabinets on at least one side to ensure rigidity - See planning considerations below

The kitchen installation manual should be used for information on hinge and door fitting/adjustment

Cut panels (where visible), should be re-edged

The interior of the corner larder can be filled with cabinets, see additional unit information

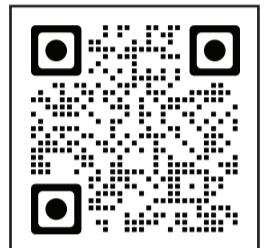
Rail pack supplied at 2055mm for tall applications. Cut to 1875mm for standard applications.

Use the top panel for creating a ceiling to your larder unit. This is supplied for an 800mm opening but should be cut down for 600mm opening application.

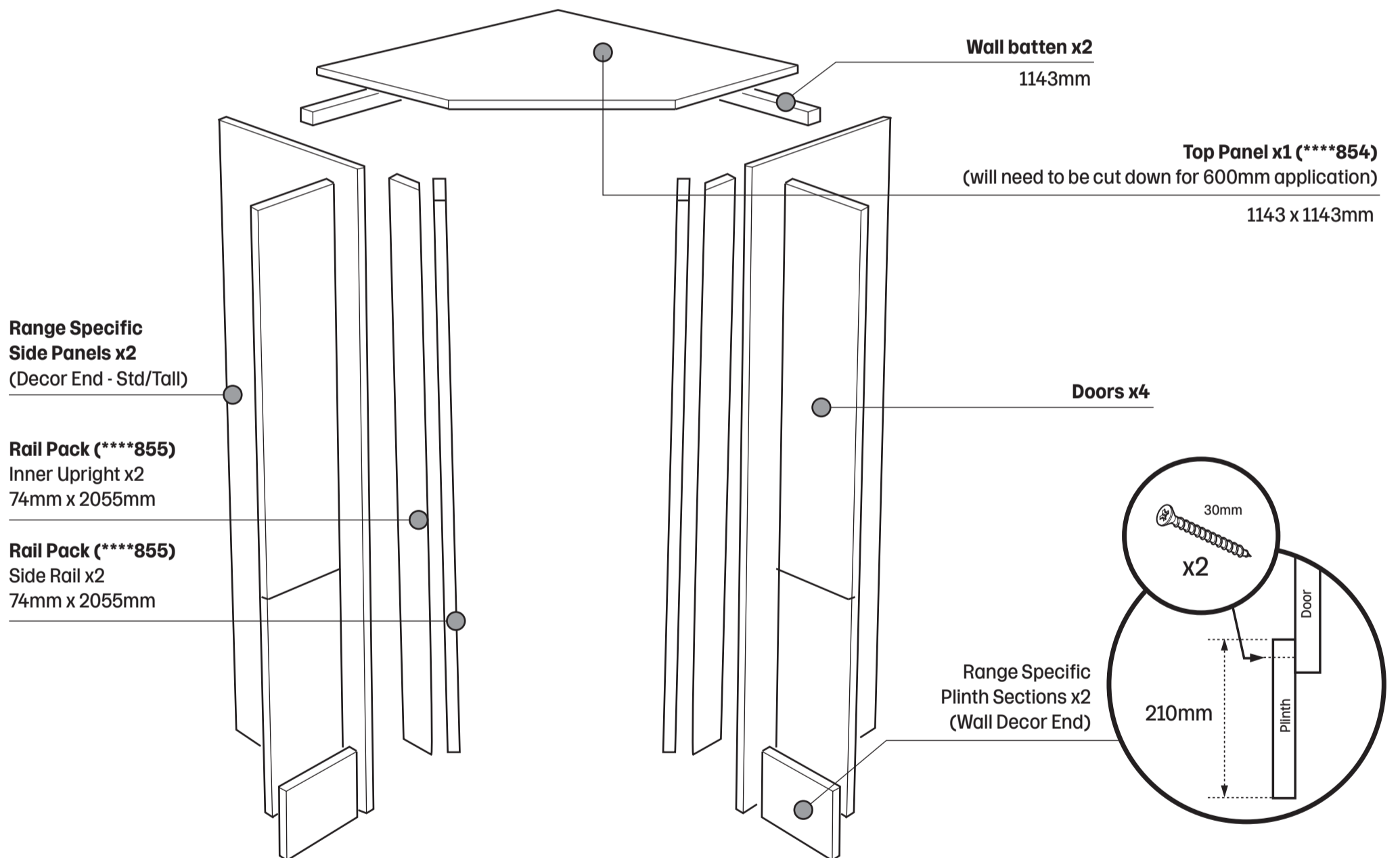
## Components overview - basic construction



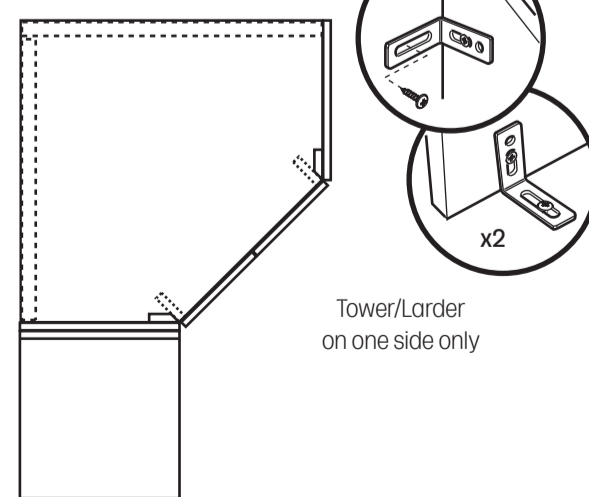
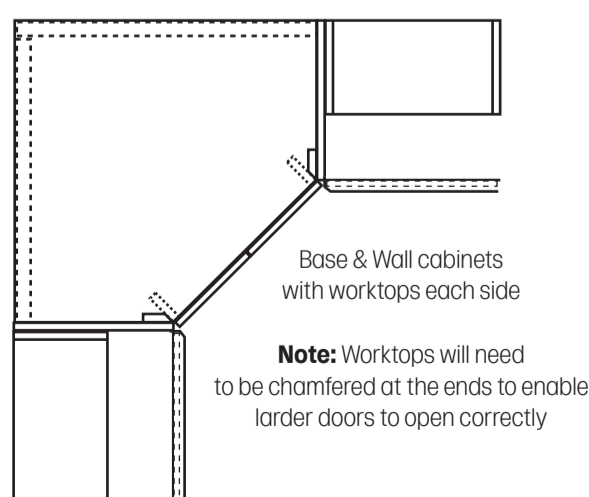
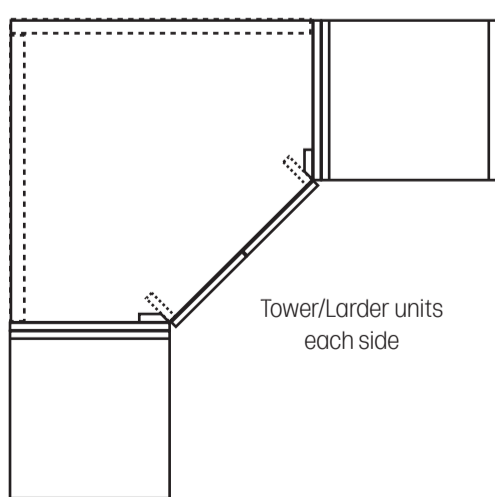
Scan the QR code with your smart device to access a digital copy of the kitchen installation manual



- Larder Rail Pack x1 (\*\*\*\*855)**
- Range Specific Tower Decor End x2 (std/tall)
- 155°Hinge Pack x5 (HKC0029)
- Jointing Plate x2 (HKC0061 or HKC0062)
- Range Specific Wall Decor End x1



## Planning considerations



## Components overview - additional inside options (Example only)

Additional cabinets can be used inside the larder tower as shown below. Cabinets should be secured to the wall and together as shown in the wall cabinet section of the kitchen installation manual. **SKU suffix codes shown below for cabinets required.**

### 350mm Wall Cabinet x2

FH - \*\*\*\*402 or  
Tall - \*\*\*\*459

Note: In an 800mm opening application wall cabinets can be 450mm (FH - \*\*\*\*415 or Tall - \*\*\*\*466) using a 62mm spacer/infill requirement each side

### Worktop

Range/decor specific

### 350mm Wall Cabinet x2

FH - \*\*\*\*402

Note: In an 800mm opening application wall cabinets can be 450mm (FH - \*\*\*\*415) using a 62mm spacer/infill requirement each side

### 631 L Shape Corner Wall x1

FH - \*\*\*\*472 or  
Tall - RKC1473

### Infill panels x2

62mm or 20mm depending on corner opening size  
Use wall decor decor end panel

### 631 L Shape Corner Wall x1

FH - \*\*\*\*472

### Plinth x1

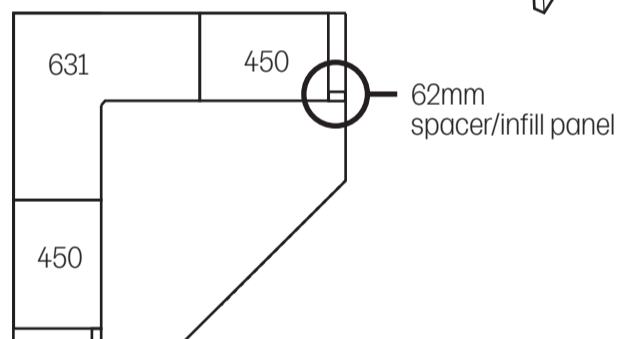
Range specific

### Cabinet leg pack x4 packs

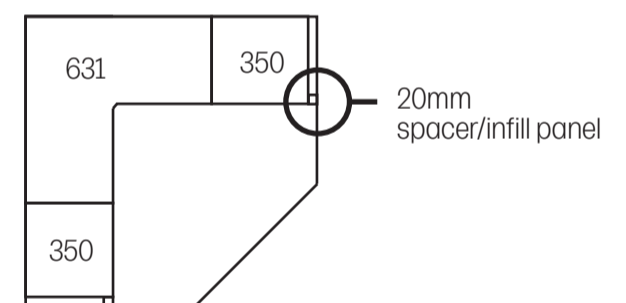
HKC0082

See the kitchen installation manual for foot fixing to the underside of the wall cabinets

### 800mm Opening

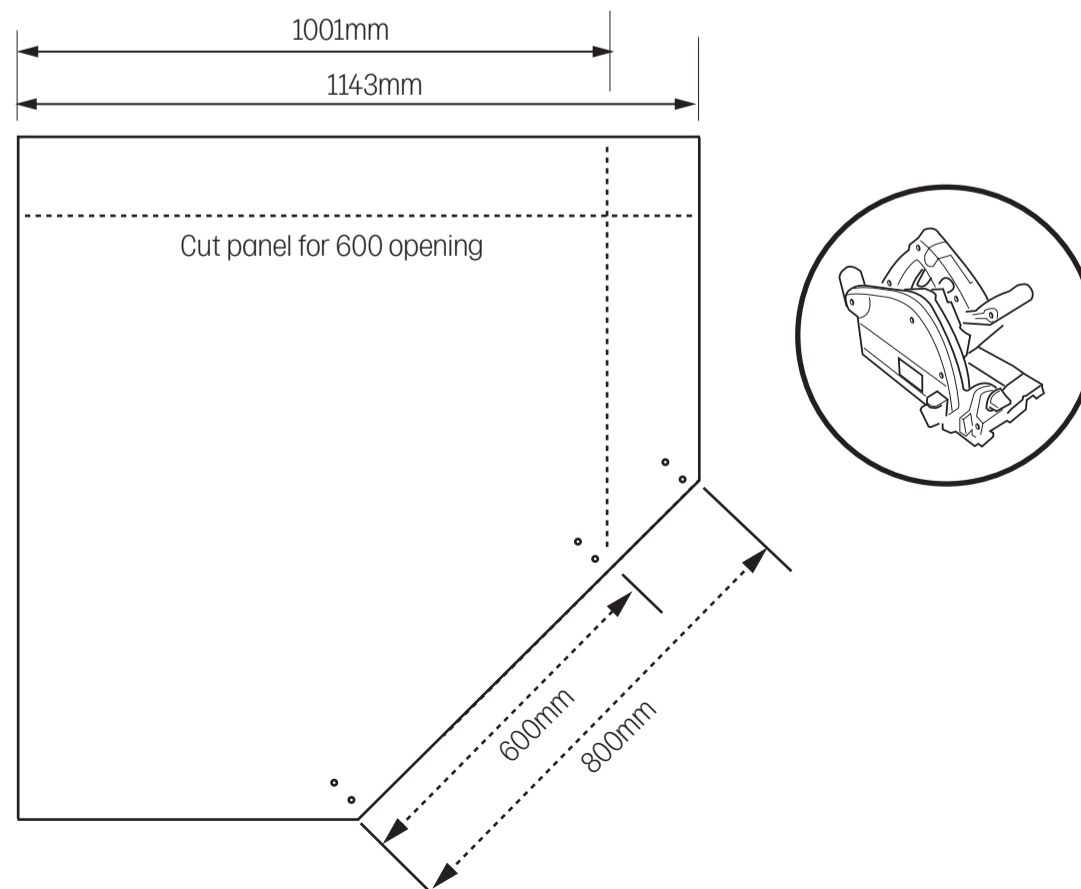


### 600mm Opening

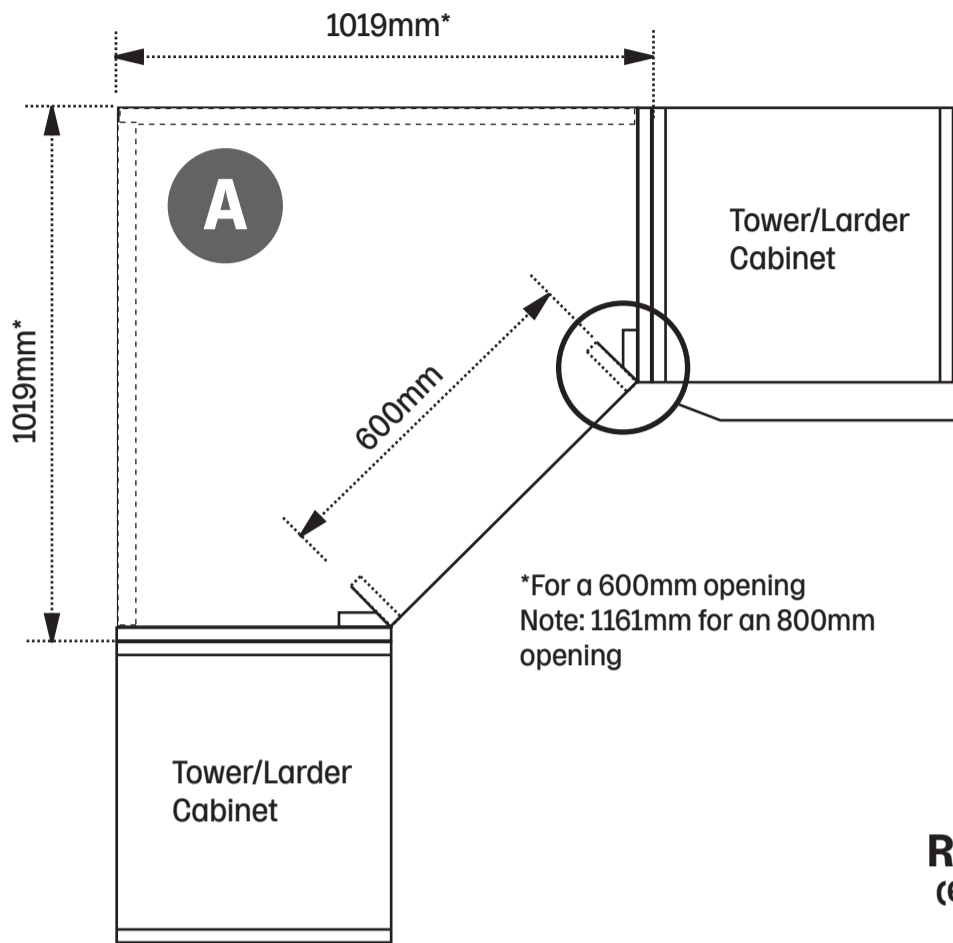


## Cutting the top panel - for 600mm opening option only

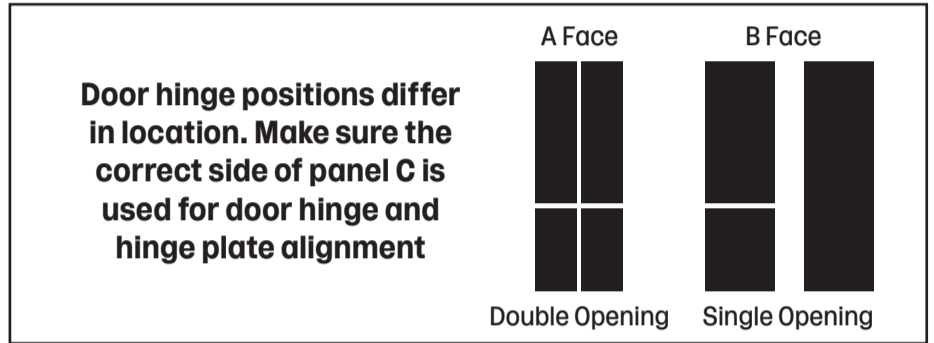
The top panel has been provided to service an 800 door opening (x2 400 doors). If you're using a 600mm opening, cut the panel along the guidelines pre-marked on the panel, using a circular saw with a sharp saw blade.



# Assembly & Installation



\*For a 600mm opening  
Note: 1161mm for an 800mm opening



## Step by Step Guide

1. Position the adjoining cabinets to the wall, spacing them 1019mm from the corner\* (image A). Secure the cabinets in place using wall fixing brackets, following the kitchen installation manual - section 5.

2. Fit decor end panels to the cabinets, fitting them flush with the front edge. Scribe to the wall as required (image A).

3. Secure the decor ends from inside the adjoining cabinets.  
**Note:** If one side of the corner pantry does not have an adjoining cabinet, the decor end should be secured using metal brackets on the inside back edge and to the floor (see planning considerations on page 1).

4. RAIL PACK APPLICATION (\*\*\*\*855)  
Cut all four rails to the required length (if applicable)

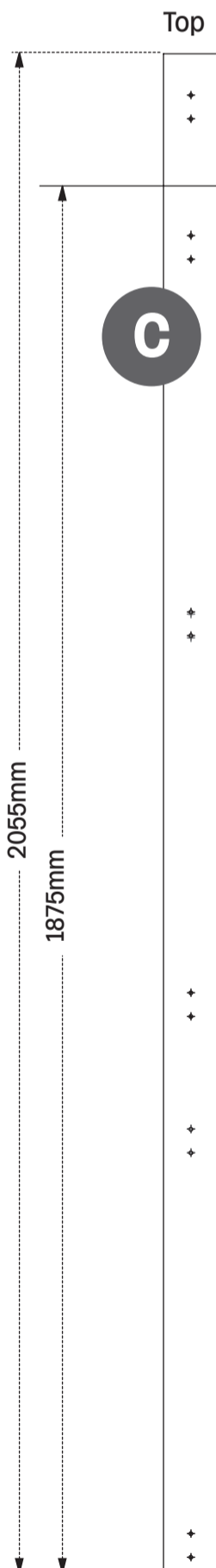
**Important:** Rail pack side rails (C) have an identified A face & B face.  
**A face** = Double door opening application  
**B face** = Single door opening application

5. Fit the inner uprights to the decor end with the angled edge to the front. Secure using 30mm screws in four positions (image B).  
**Note:** Ensure the upright is flush to the top of the decor end.

6. Fit the side rails to the angled edge of the uprights securing with screws (image B).  
**Note:** Position the screws behind where the hinge plates will be located.

If you are not putting cabinets into your corner larder unit, other interior options can be fitted such as shelving. Use decor end panels and battens to achieve your bespoke shelving options.

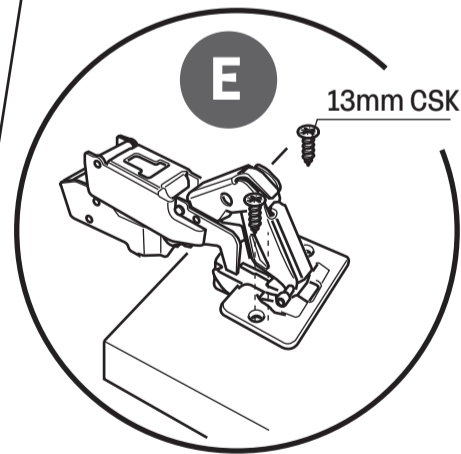
## Rail A Face (6 drilling pairs)



## Rail B Face (7 drilling pairs)



Fit the hinge plates (D) to the applicable holes in the side rails (C), depending on door configuration.



Fit the top panel to the battens and top of the uprights (or cabinets if being used). Additional support on the inside of the side panels can be put in place if required.  
Secure from the top, down into the battens and rails using 30mm screws.

Fit the 155° hinges to the doors (E).  
**Note:** Other hinge options are available depending on your opening preference.

## Assembly & Installation

### Top Panel fixing

Fit battens to the wall, 18mm below the top edge of the decor end panels. Secure into the wall using suitable wall fixings. Fit the top panel to the assembly, resting the panel on the battens and the rails.

**Note:** If fitting wall cabinets to the inside of the unit, the battens will not be required as the top panel will fit/secure to the top of the cabinets.

