

Linear Fillet

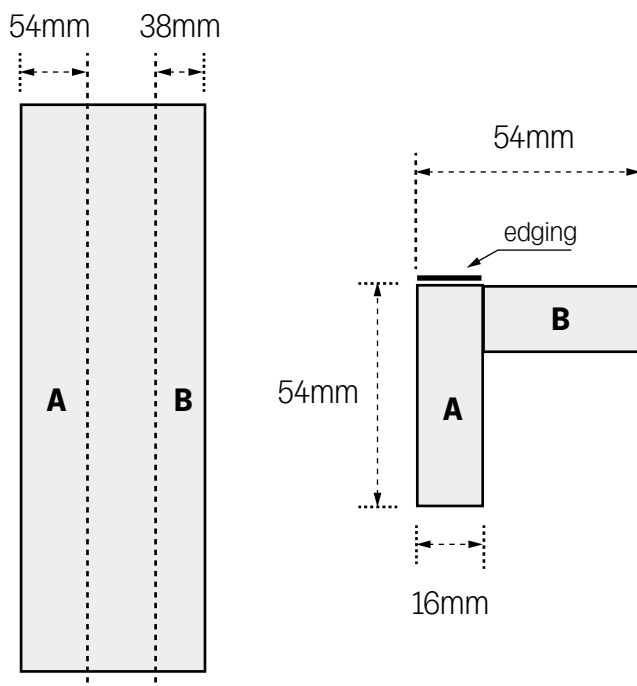
Builder fit option

LEAFLINFIL

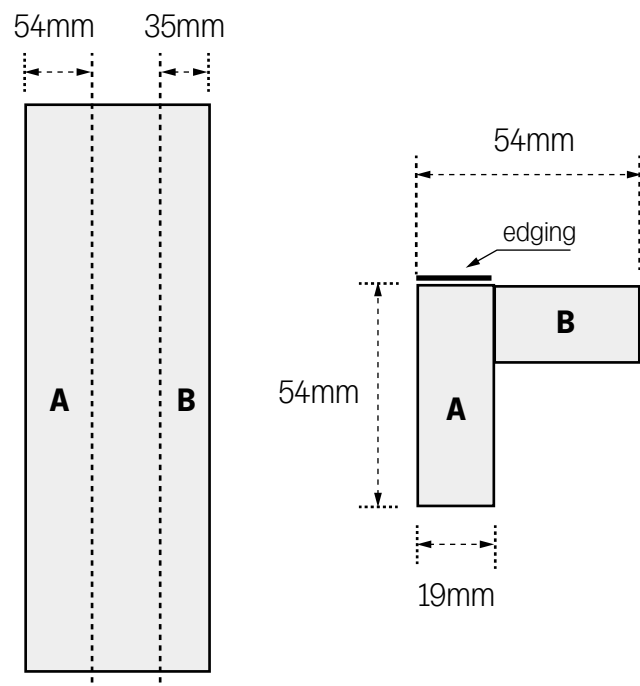
Follow the information below for how to create the FH base linear fillet using a 150mm FH door

- 1 Cut the rails from each side of the door
Note: Ensure cut is square. Cut from back to front edge.
Edging should be applied to the back cut edge of section 'A'.

For 16mm Fillet (Greenwich - Gloss & Super Matt)



For 19mm Fillet (Chelford)



- 2 Assemble the fillet using screws to secure.
Note: Pilot drill holes before fixing.

