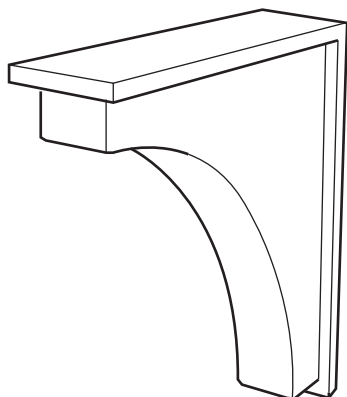


# Wooden Shelf Bracket

Installation

MODLE59



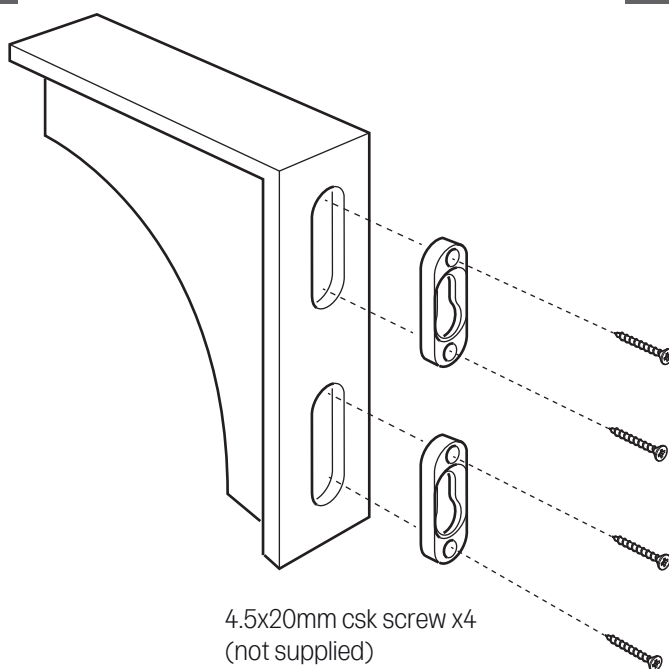
### Important Notes:

Ensure packaging is disposed of in a safe environmentally friendly way.

Use suitable wall fixing screws to secure the button fixing plates to the wall, depending on the wall construction.

## Assembly

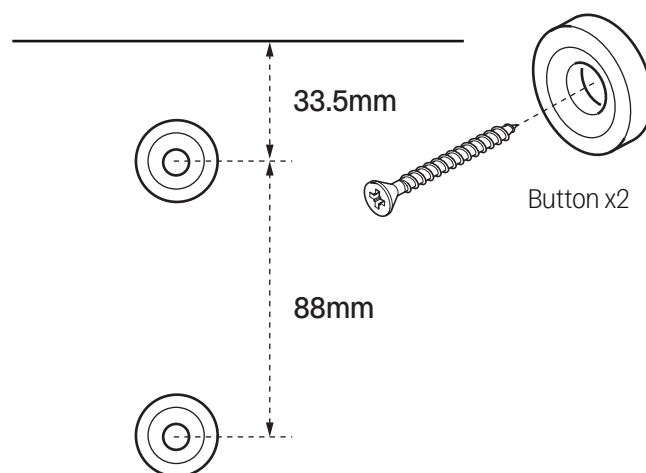
1



4.5x20mm csk screw x4  
(not supplied)

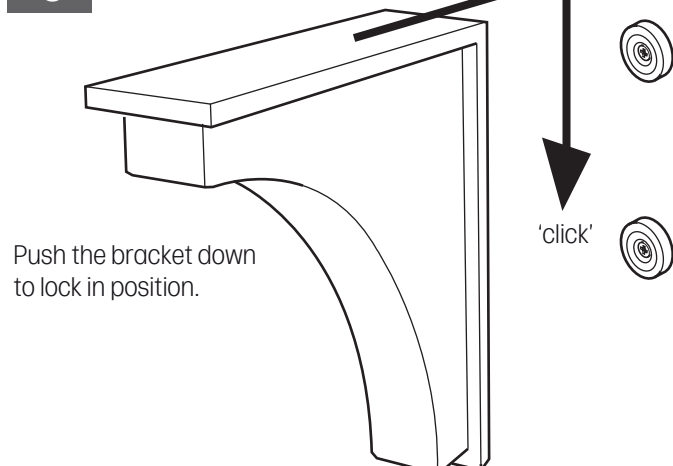
2

**Note:** If you require the top of the bracket (once fitted), to be flush with an adjoining surface, fix the top button 33.5mm from the top of the surface.

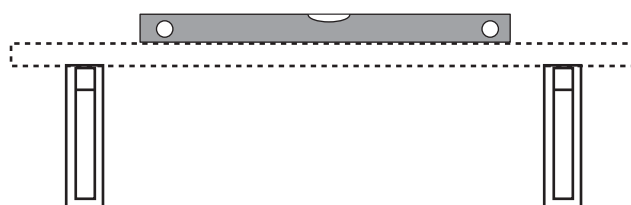


Button x2

3



Push the bracket down to lock in position.



If fitting in a shelving application, ensure the brackets are level.