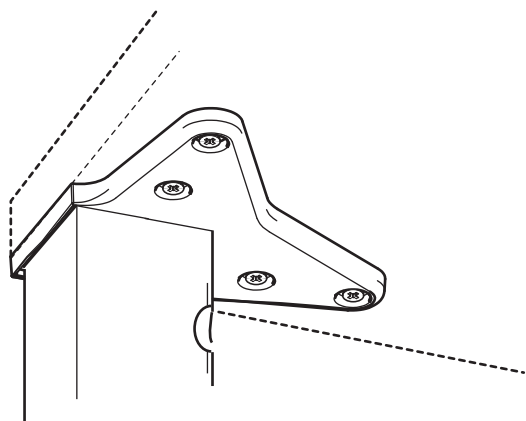


# Breakfast Bar Leg

Installation

## HYELE96

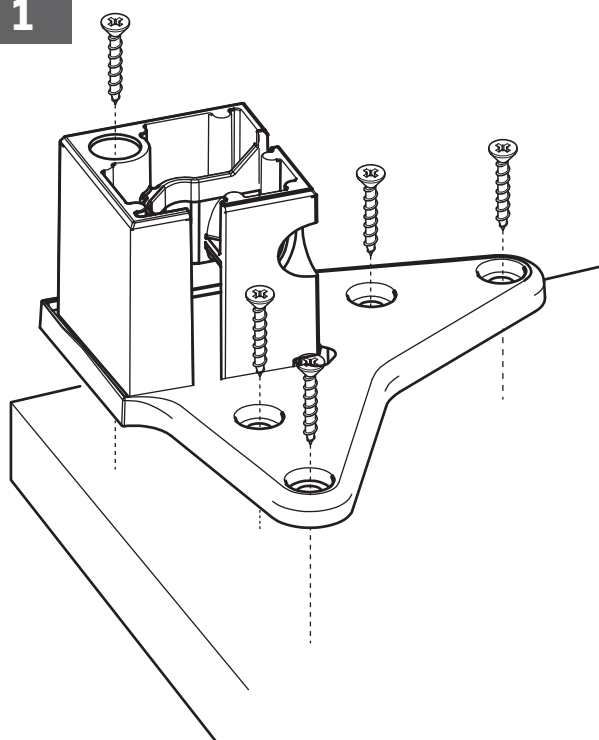


### Important Notes:

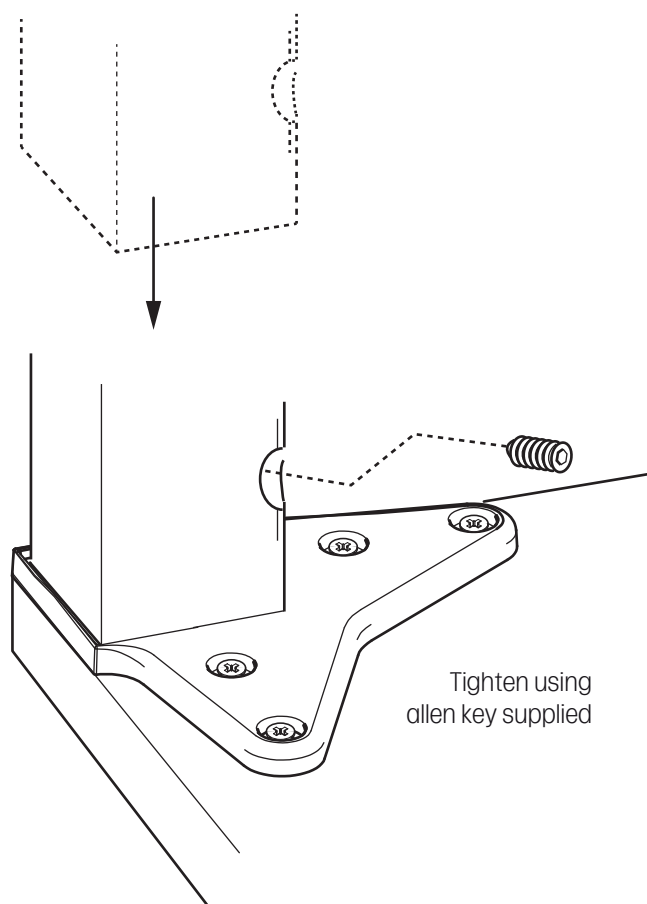
Ensure packaging is disposed of in a safe environmentally friendly way

## Assembly

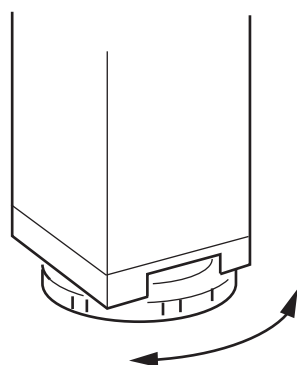
1



2



## Adjustment



**Note:** The leg can be modified in height by removing the foot bung and cutting to the required height (from the bottom edge). Once cut, re-fit the foot bung. Ensure a sharp blade is used when cutting the leg.