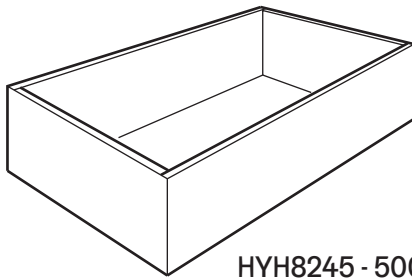


# Pan Drawers

## Installation

# LEAFBLUMMV



HYH8245 - 500mm  
HYH8249 - 900mm  
HYH8241 - Runner Pack



Scan the QR code with your smart device to access a short installation & adjustment video

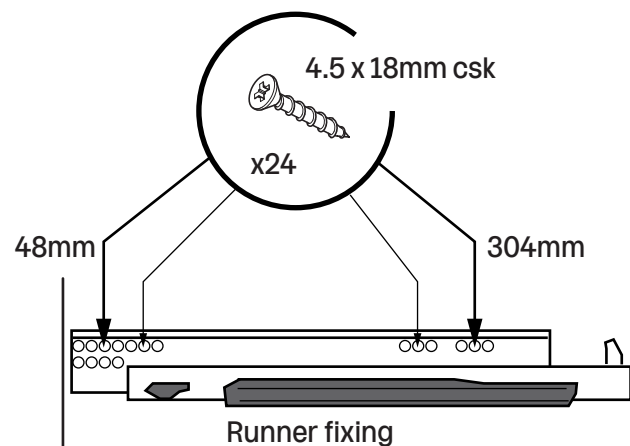
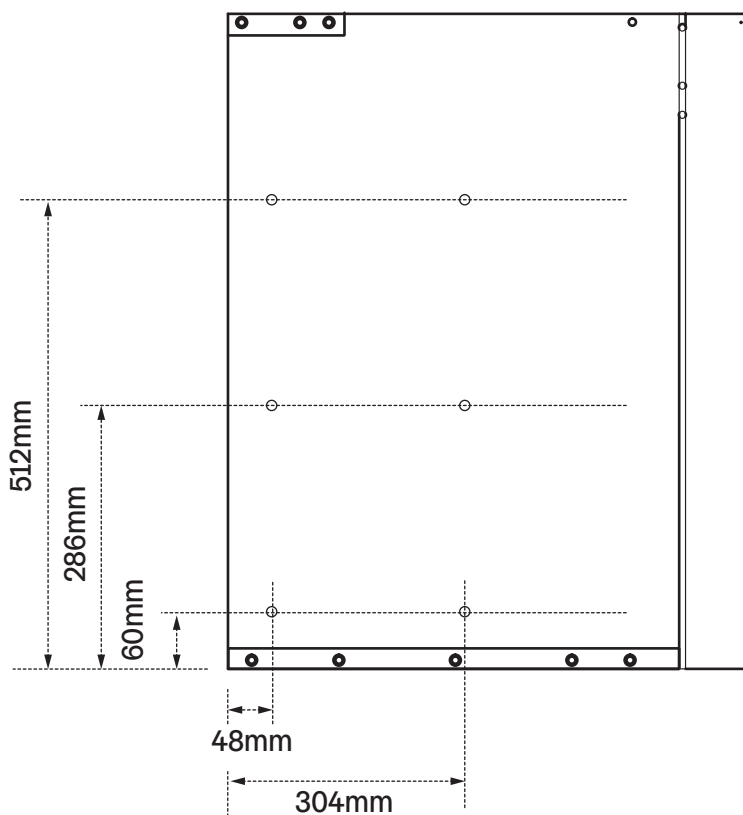


### Important Notes:

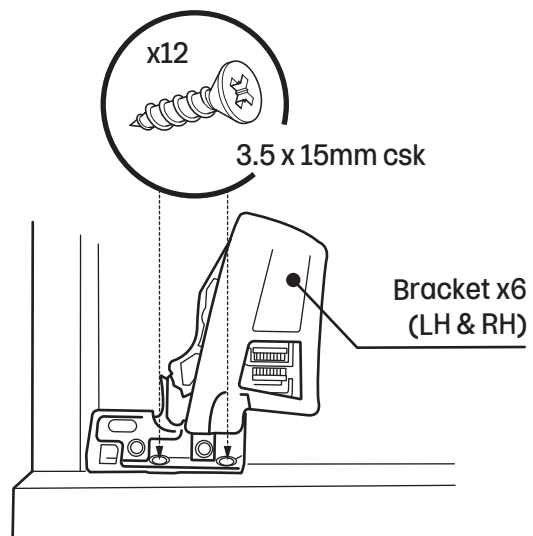
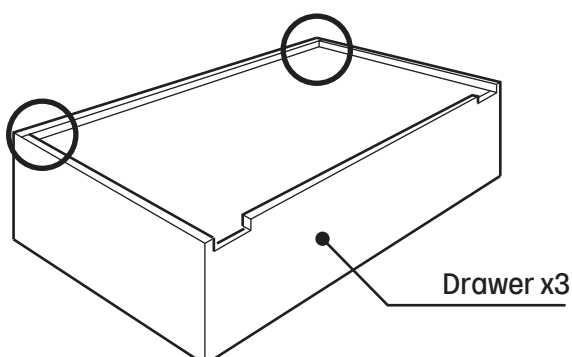
Ensure packaging is disposed of in a safe environmentally friendly way

Instructions are for installation into a 500 or 900 base cabinet.  
If fitting into a 600 or 1000 larger pantry, please refer to leaflet LEAFPDI supplied in the insert pack.

**1** Fit runners to the side of the cabinet.

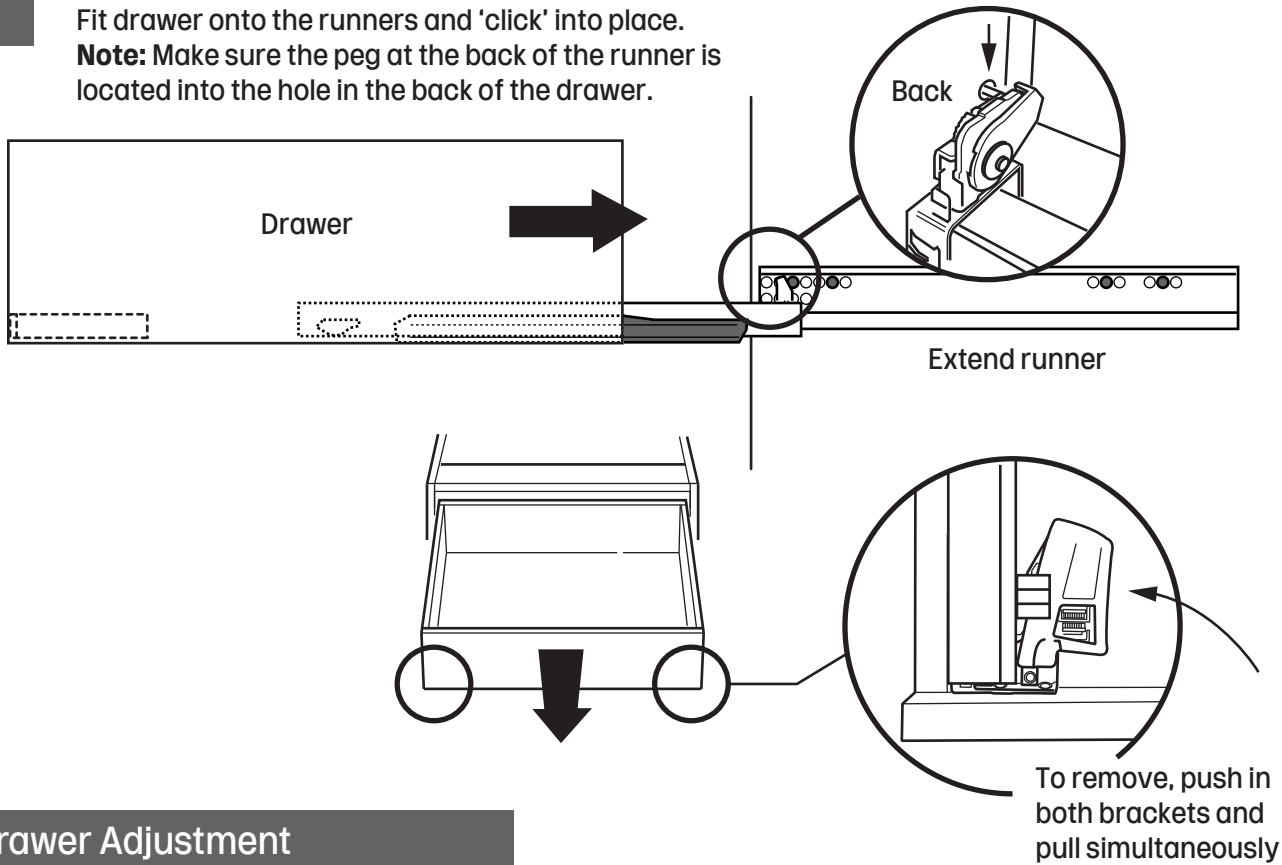


**2** Fit brackets to the underside of drawer.  
**Note:** Make sure the bracket is flat to the base of the drawer when fixing.



3

Fit drawer onto the runners and 'click' into place.  
**Note:** Make sure the peg at the back of the runner is located into the hole in the back of the drawer.



## Drawer Adjustment

Scan the QR code on the front of this leaflet for adjustment animation

