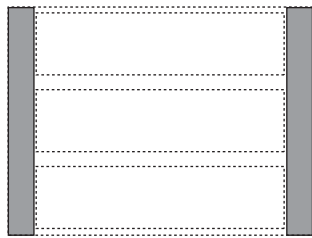


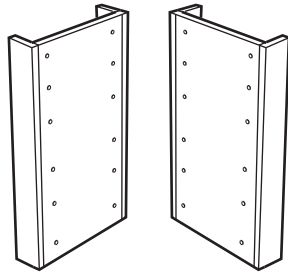
# Insert Pack

## For Pan Drawers

# LEAFPDI



RKC\*846



Ensure packaging is disposed of in a safe environmentally friendly way

Use the insert pack when fitting 500 and 900 pan drawers into a wider 600 and 1000 larger pantry application

Drawer fitting and adjustment are covered in leaflet supplied with the runners (LEAFBLUMIV)

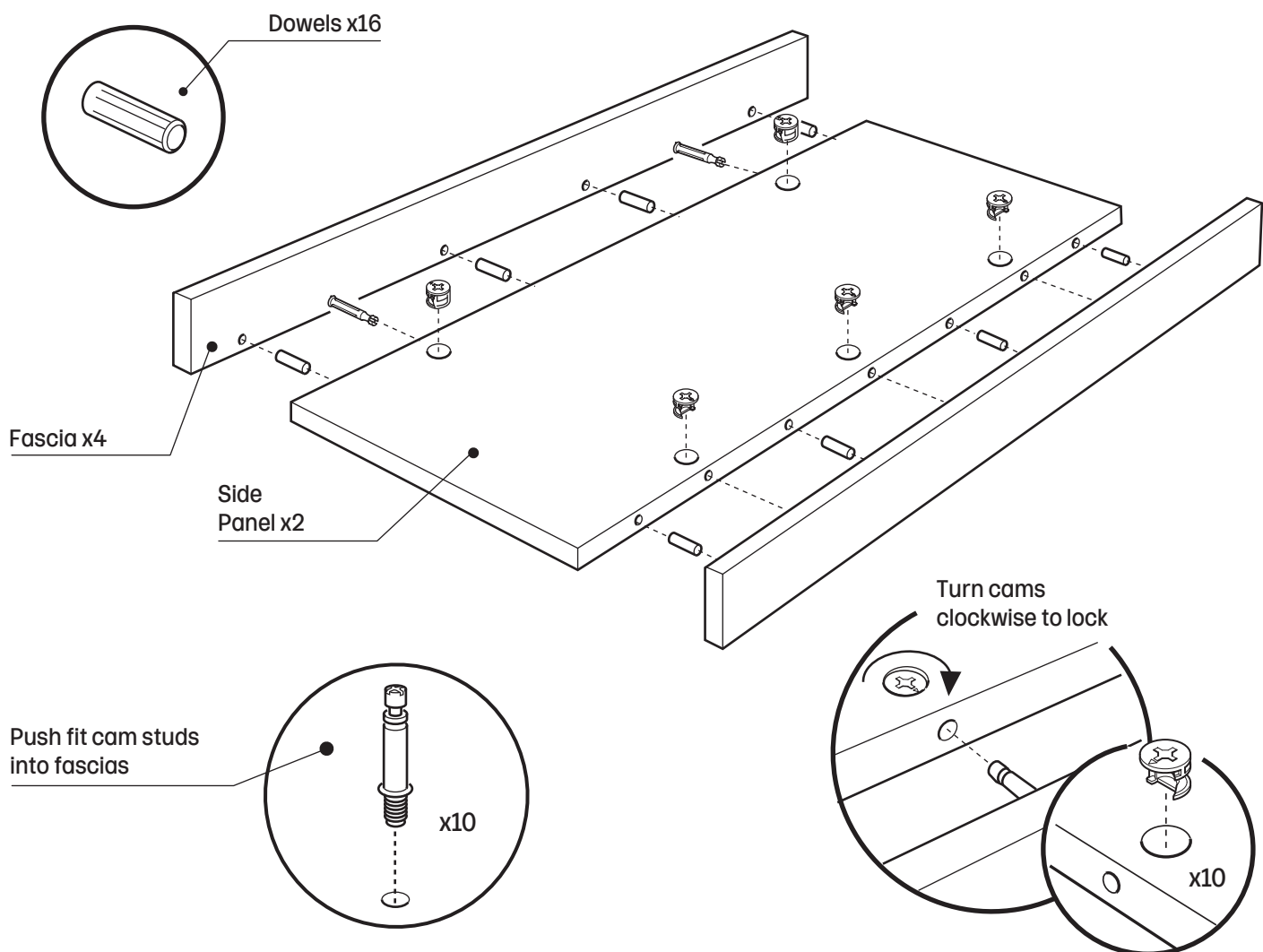
### Important Notes:



**Cabinet should be level and secured to the wall before inserts are fitted in position. Once inserts are installed, decor ends can be fitted to the sides of the cabinet as required.**

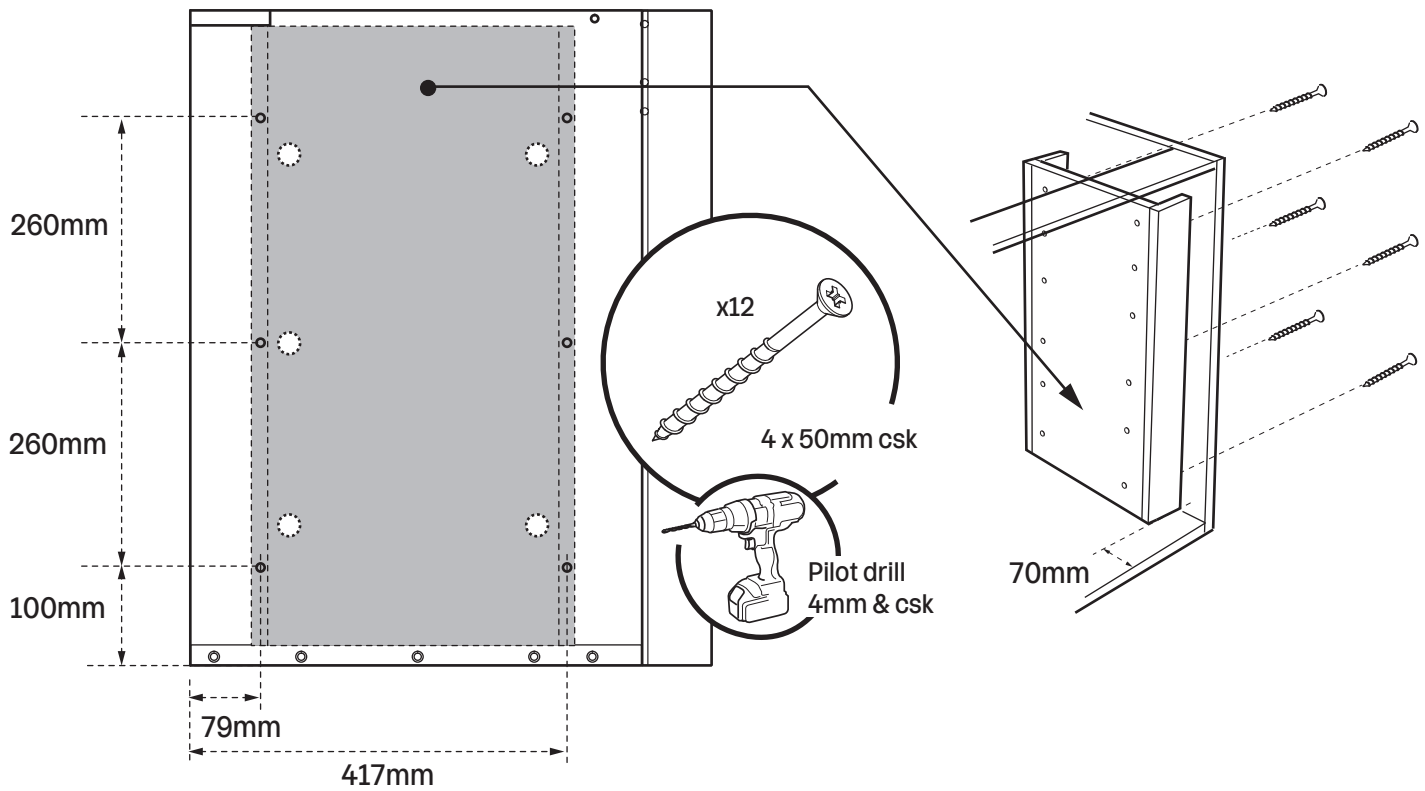
**1**

Fit the fascias and side panels together.  
(Apply glue to dowel holes)



2

Fit infill assemblies into the cabinet securing each side.  
**Note:** The three cam edge is towards the front.



3

Secure runners to the side panels.  
**Note:** Use the Euro screws supplied in this pack to secure the runners.

