

# ADDENDUM

## Drawer Box Gallery Rail Fixing Method

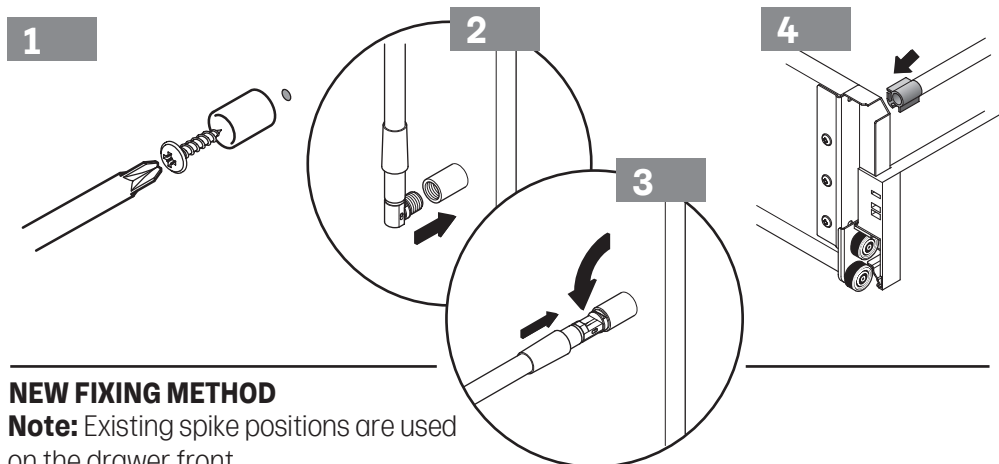
# LEAFPANSUPP

The drawer box gallery rail fixing method has changed from what is currently shown in the kitchen installation manual. The diagrams below show both the current and new fixing methods for clarification.



Scan the QR code with your smart device to access a short installation video

### CURRENT FIXING METHOD



### NEW FIXING METHOD

**Note:** Existing spike positions are used on the drawer front

