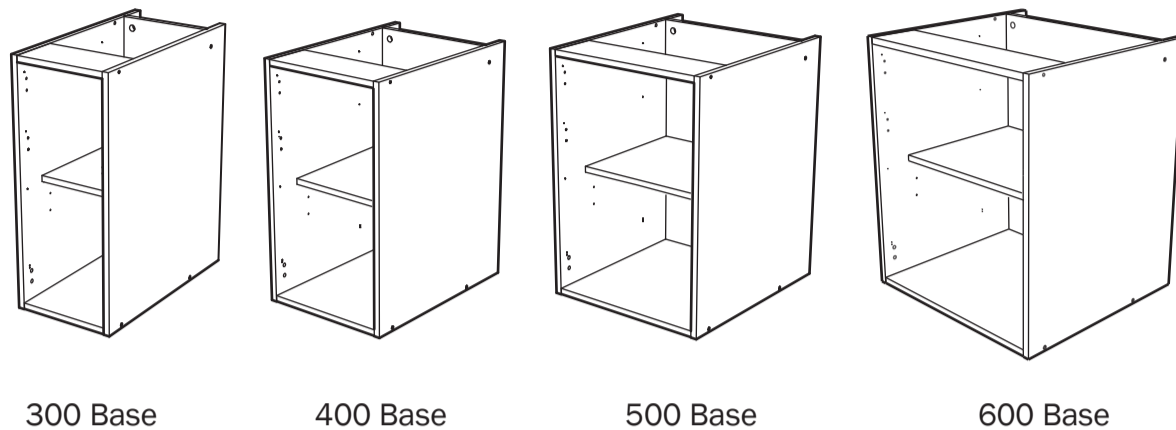


Technik Cabinet System

Single Base Cabinets

TFPLEHLB2



Ensure packaging is disposed of in a safe environmentally friendly way.

Follow the Kitchen Installation Manual for all cabinet installation requirements. A copy of this is available from your local Howdens depot.

Scan the QR code below using your smart device to access a short video giving an overview of cabinet assembly



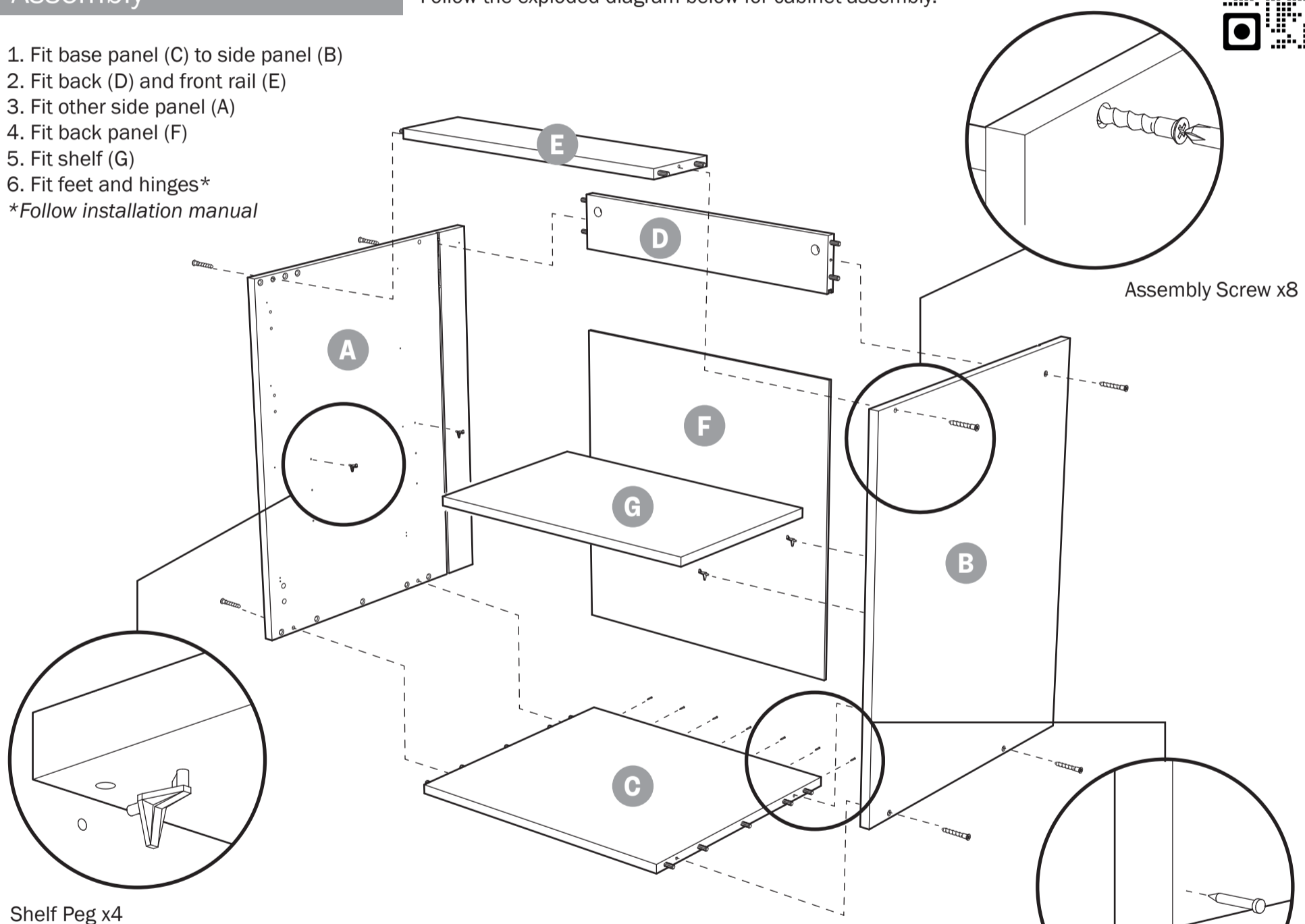
We recommend this unit is assembled on its side.
Ensure the joints between panels are fully closed before fixing assembly screws.

Assembly

Follow the exploded diagram below for cabinet assembly.

1. Fit base panel (C) to side panel (B)
2. Fit back (D) and front rail (E)
3. Fit other side panel (A)
4. Fit back panel (F)
5. Fit shelf (G)
6. Fit feet and hinges*

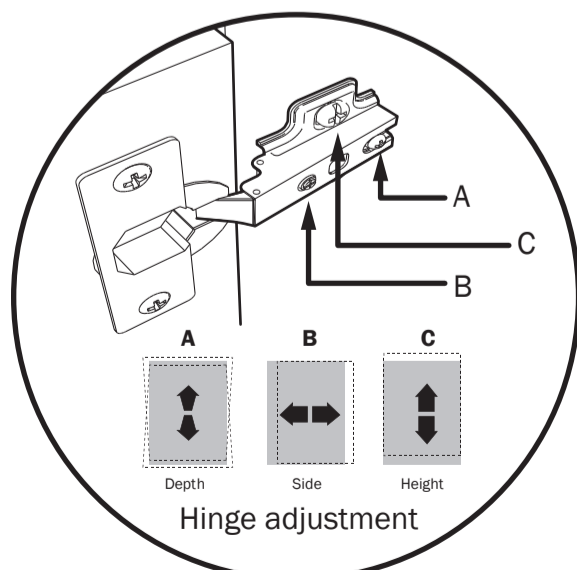
*Follow installation manual



Shelf Peg x4

Assembly Screw x8

Secure back panel with nails x10



Your fittings bag contains other parts and fittings which will be required for installation. Please do not discard any components until your kitchen installation is fully complete

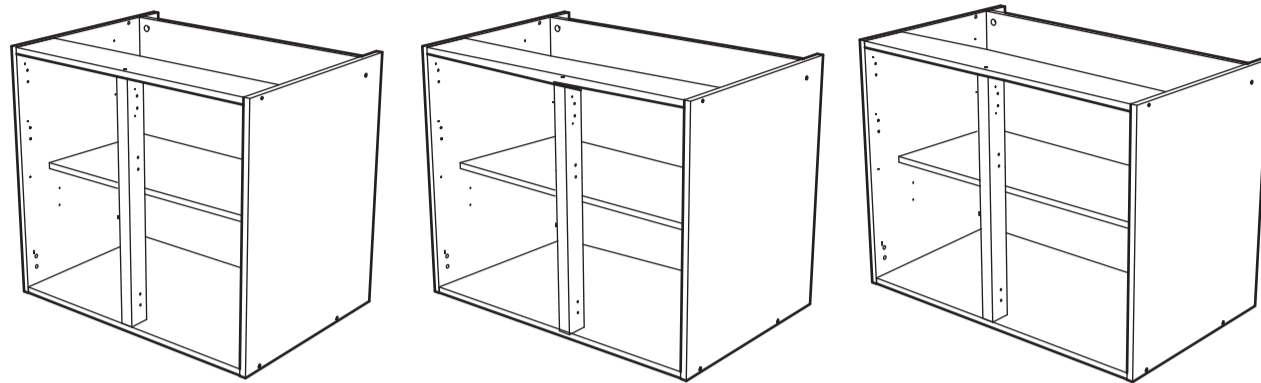


Technik Cabinet System

Double Base Cabinets

TFPLEHLB2

Ensure packaging is disposed of in a safe environmentally friendly way.



800 Base

900 Base

1000 Base

Follow the Kitchen Installation Manual for all cabinet installation requirements. A copy of this is available from your local Howdens depot.

IMPORTANT

If fitting drawers into a 800, 900 or 1000 cabinets, do not fit the centre post or mid shelf. Follow the leaflet supplied with the drawer box pack for assembly and installation

Scan the QR code below using your smart device to access a short video giving an overview of cabinet assembly



We recommend this unit is assembled on its side. Ensure the joints between panels are fully closed before fixing assembly screws.

Assembly

Follow the exploded diagram below for cabinet assembly.

1. Fit base panel (C) to side panel (B)
 2. Fit centre post (H) (if required)
 3. Fit back (D) and front rail (E)
 4. Fit other side panel (A)
 5. Fit back panel (F)
 6. Fit shelf (G)
 7. Fit feet and hinges*
- *Follow installation manual

