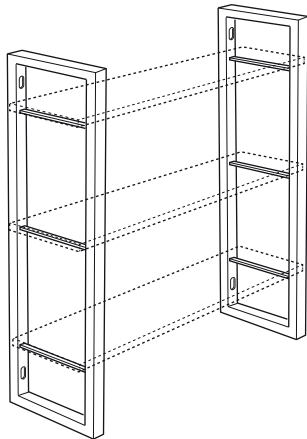


Framed Shelving

Assembly & Installation

HKCLE69



Important Notes:

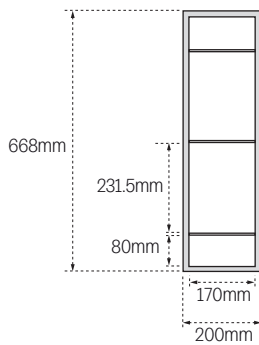
Ensure packaging is disposed of in a safe environmentally friendly way

Framed shelving can be used in different width applications with varied thickness & lengths of shelving.

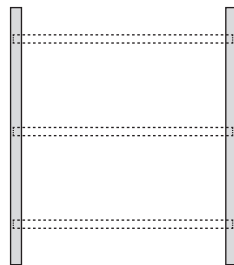
Note: One frame supplied per pack
Secure frame to the wall using suitable wall fixing screws (not supplied), depending on your wall construction. Ensure frames are level.
Shelves not supplied. Decor or worktop panels can be used.

Frame applications

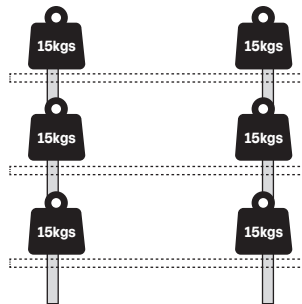
Frame Dimensions



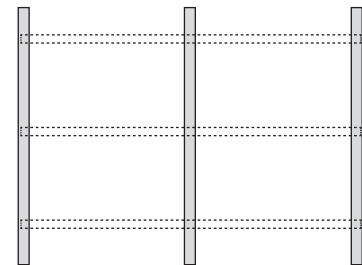
x2 frame example



x2 frame overhang example



x3 frame example



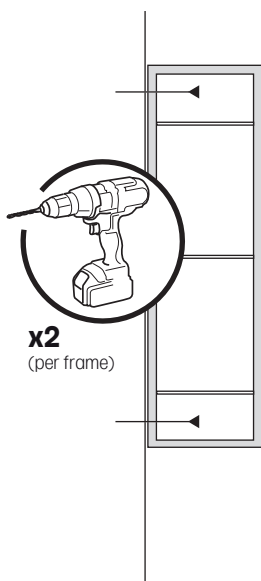
Max Weight

Each frame support can hold a max weight of 15kgs (this applies to all frame applications)

Assembly & installation

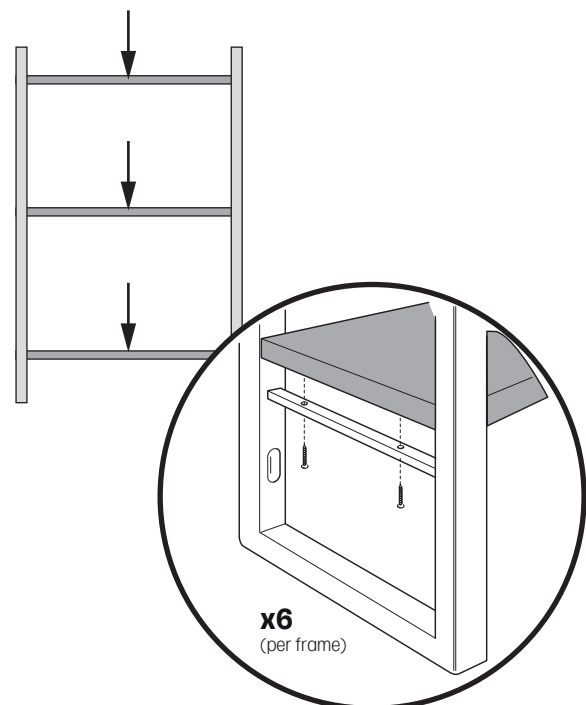
Plan your shelving size application and cut the shelf panels to suit

1 Secure frames to the wall.



x2
(per frame)

2 Fit shelving using suitable screws (not supplied).



x6
(per frame)