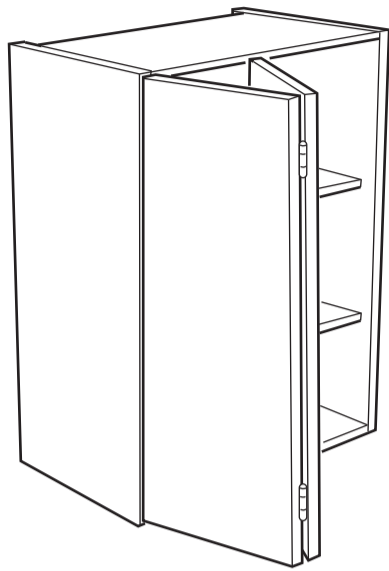


Bi-fold Doors

Installation

LEAFACKLE14



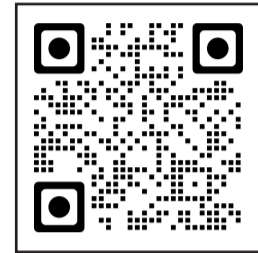
Important Notes:

Ensure packaging is disposed of in a safe environmentally friendly way

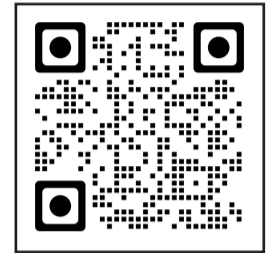
Bi-fold door hardware is supplied for use with cabinet widths - 300, 400 & 600mm (see below for configuration examples)



Scan the QR code with your smart device to access a digital copy of the kitchen installation manual and Bi-fold installation video

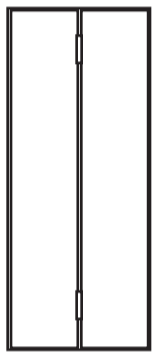


Manual

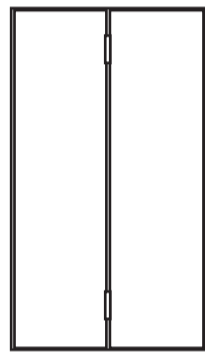


Video

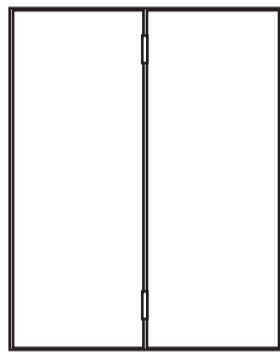
Configuration examples



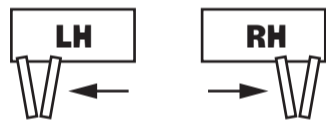
300mm Cabinet (FH or Tall) (x2 150mm doors)



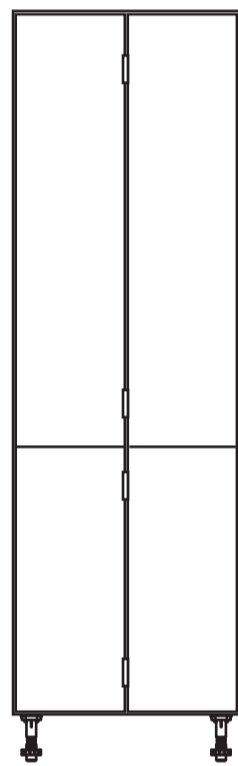
400mm Cabinet (FH or Tall) (x2 200mm doors)



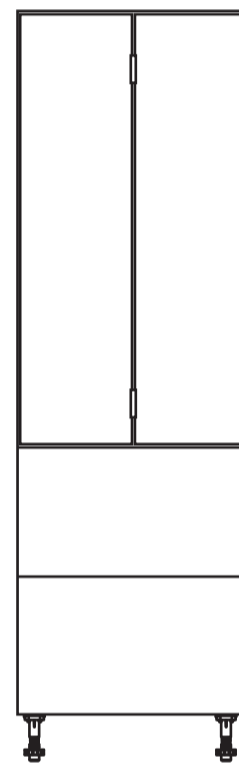
600mm Cabinet (FH or Tall) (x2 300mm doors)



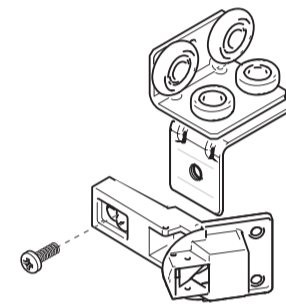
Note: Above are examples of cabinet configurations (LH & RH). Other configurations may be possible depending on frontal availability up to 600mm



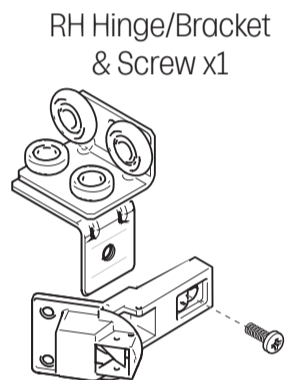
600 Larder Units



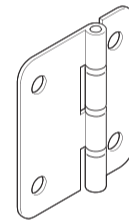
Components



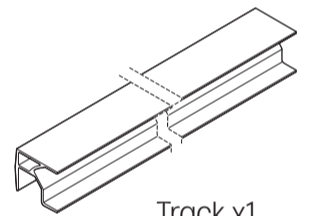
LH Hinge/Bracket & Screw x1



RH Hinge/Bracket & Screw x1



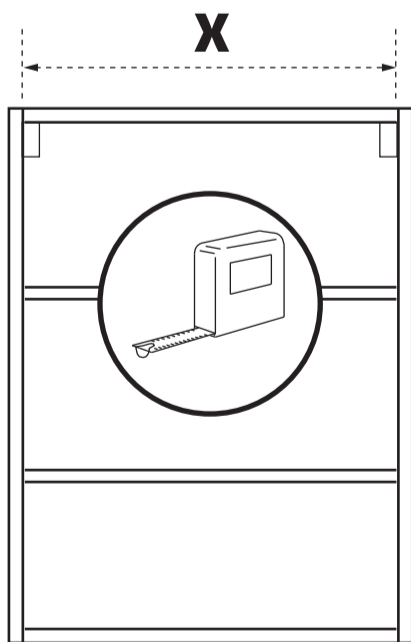
Door Hinge x4



Track x1

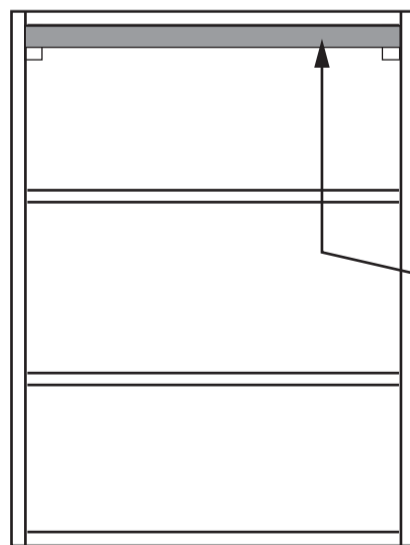
1

Measure the cabinet internal aperture

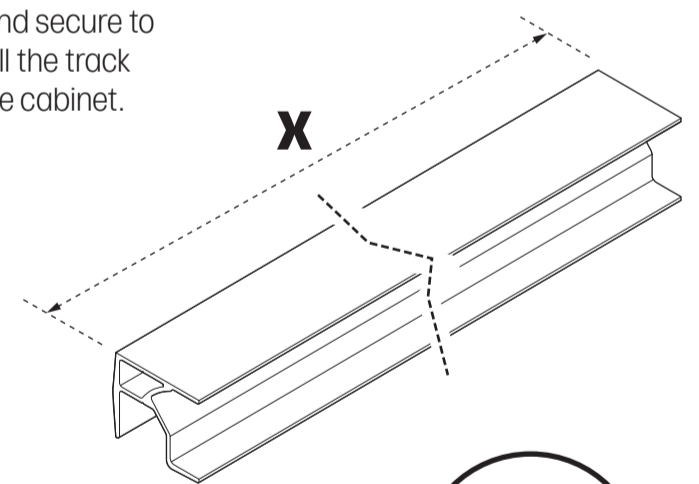


2

Cut the track to the correct width and secure to the cabinet using screws. **Note:** Drill the track and pilot drill the fixing holes into the cabinet.



3.5mm bit



25mm

X

Side panel front edge

18mm

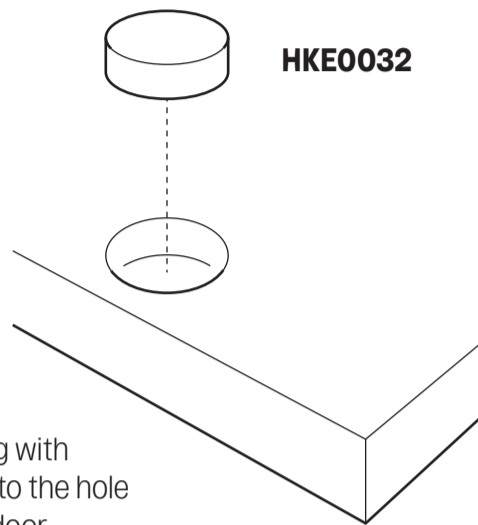
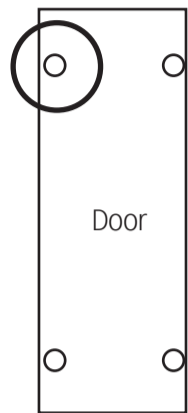
29mm

We recommend x1 screw per 200mm width of cabinet

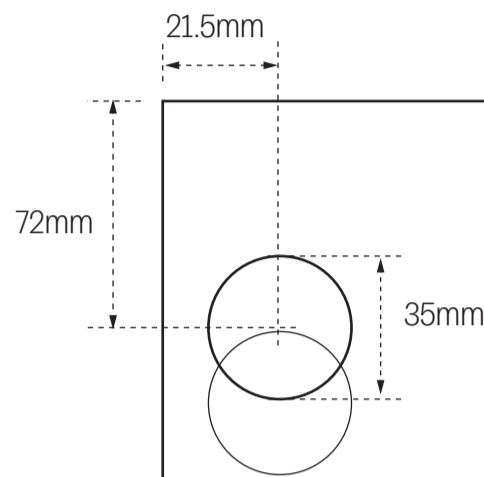
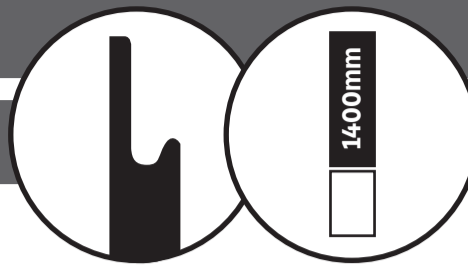
Integrated handle & tall larder doors only

For integrated handle (J Pull) & 1400mm larder doors, a new upper hinge hole is required for the bi-fold hinge.

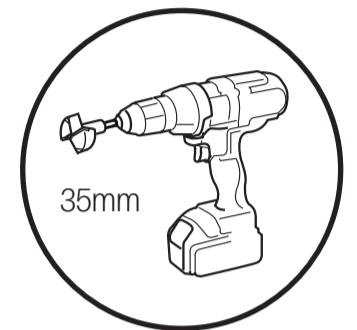
Note: Existing upper hole will need to be plugged, as shown below.



Carefully fit the hinge hole plug, securing with suitable adhesive. Gently tap the plug into the hole until it sits flush with the surface of the door.



Once hole plug is secure, drill another hinge hole.

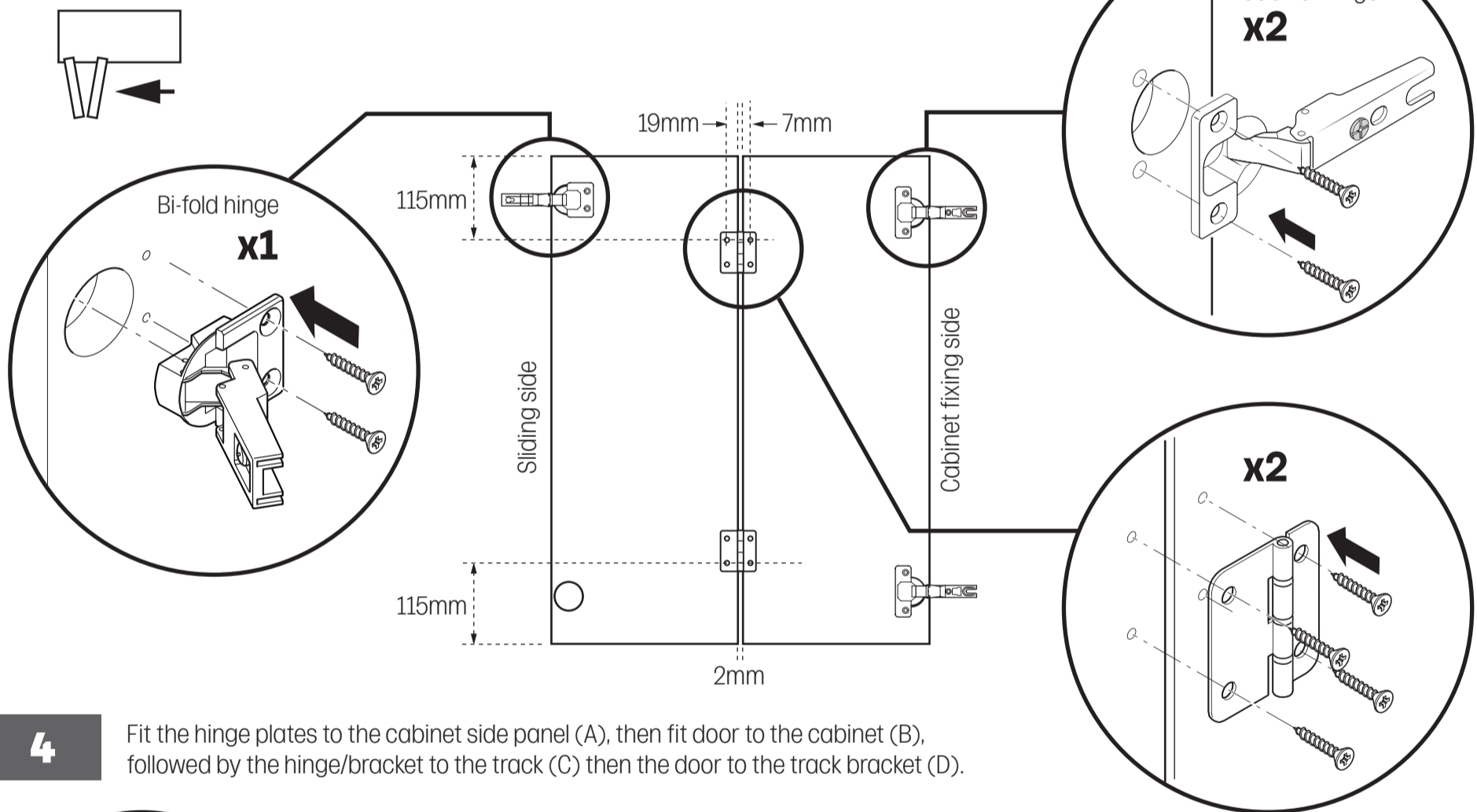


3

Fit the hinges & brackets to the doors using screws to secure.

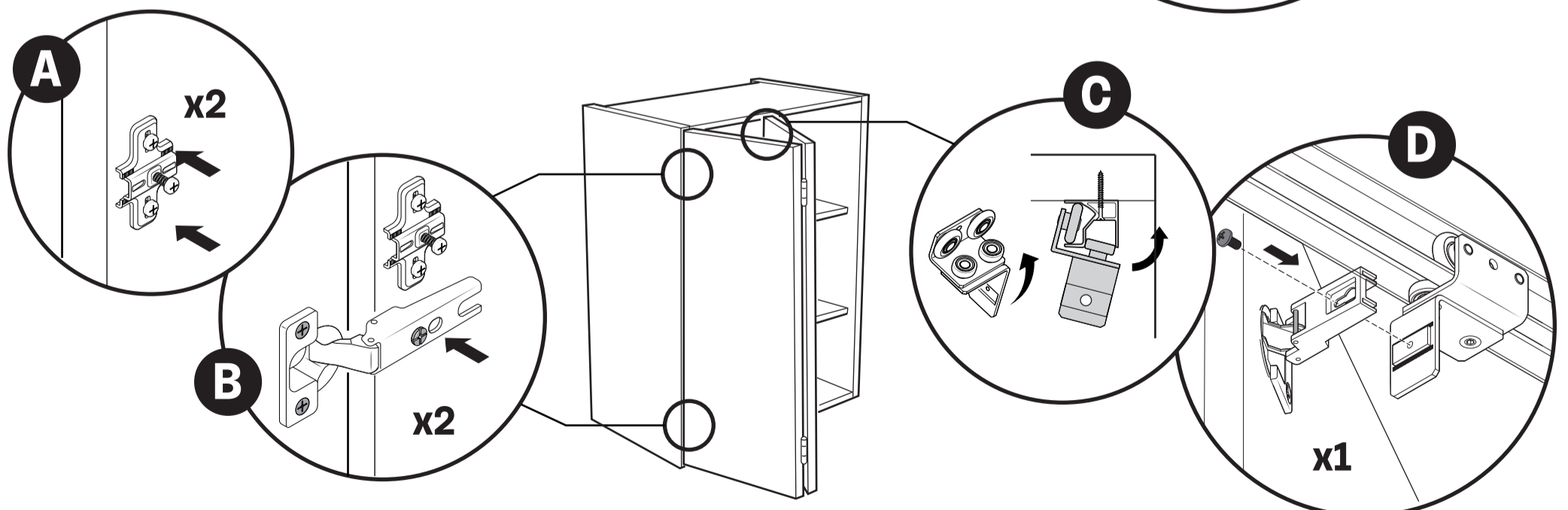
Note: Measure and pilot drill fixing holes.

LH opening example below



4

Fit the hinge plates to the cabinet side panel (A), then fit door to the cabinet (B), followed by the hinge/bracket to the track (C) then the door to the track bracket (D).



Finally, it handles to the doors as required.

Follow the kitchen installation manual for all other aspects of cabinet installation.

View shown from inside the cabinet