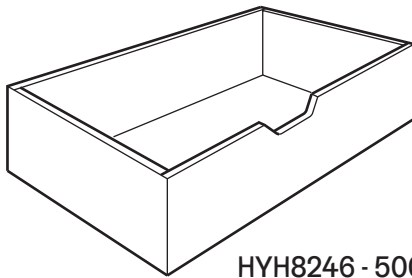


Pan Drawers

Installation

LEAFBLUMMV



HYH8246 - 500mm
HYH8250 - 900mm
HYH8241 - Runner Pack



Scan the QR code with your smart device to access a short installation & adjustment video

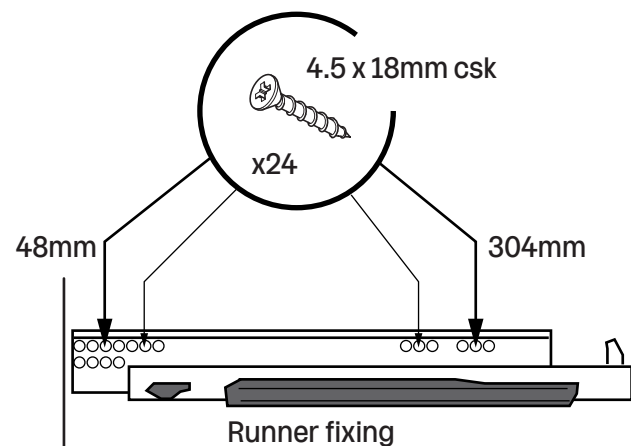
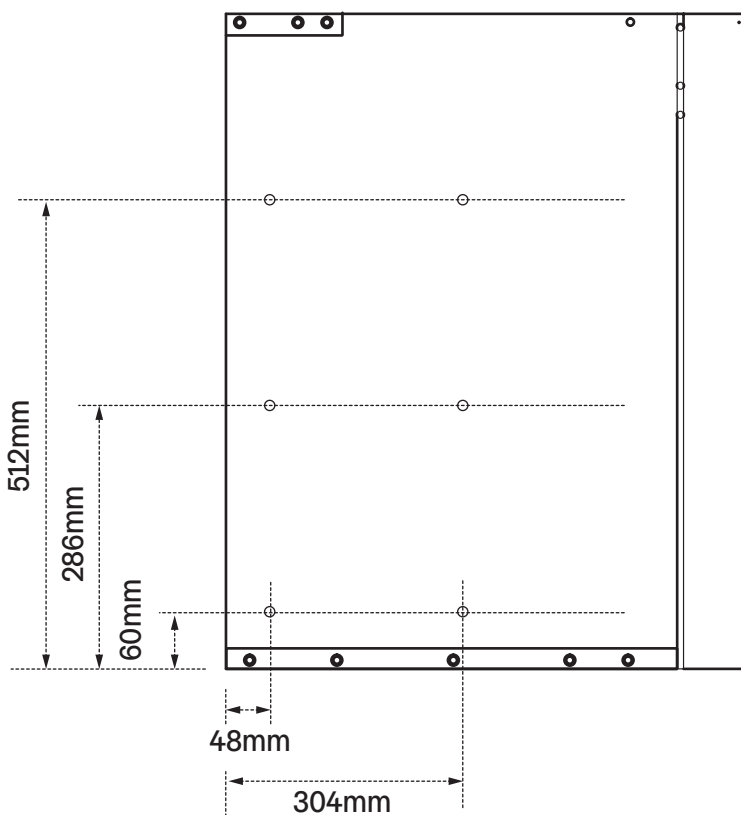


Important Notes:

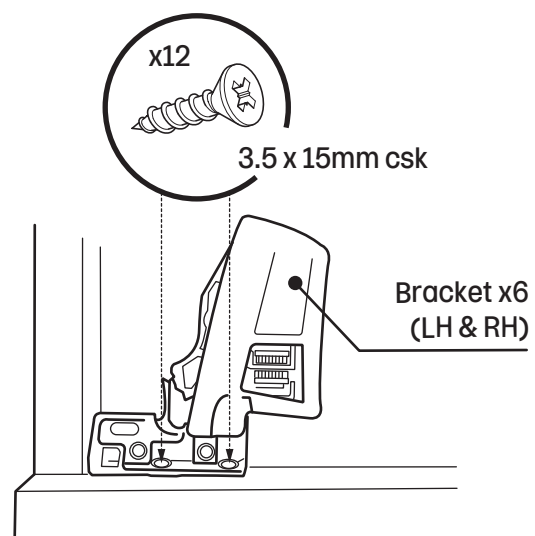
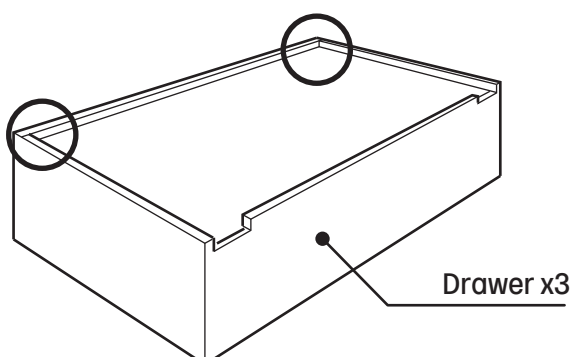
Ensure packaging is disposed of in a safe environmentally friendly way

Instructions are for installation into a 500 or 900 base cabinet.
If fitting into a 600 or 1000 larger pantry, please refer to leaflet LEAFPDI supplied in the insert pack.

1 Fit runners to the side of the cabinet.

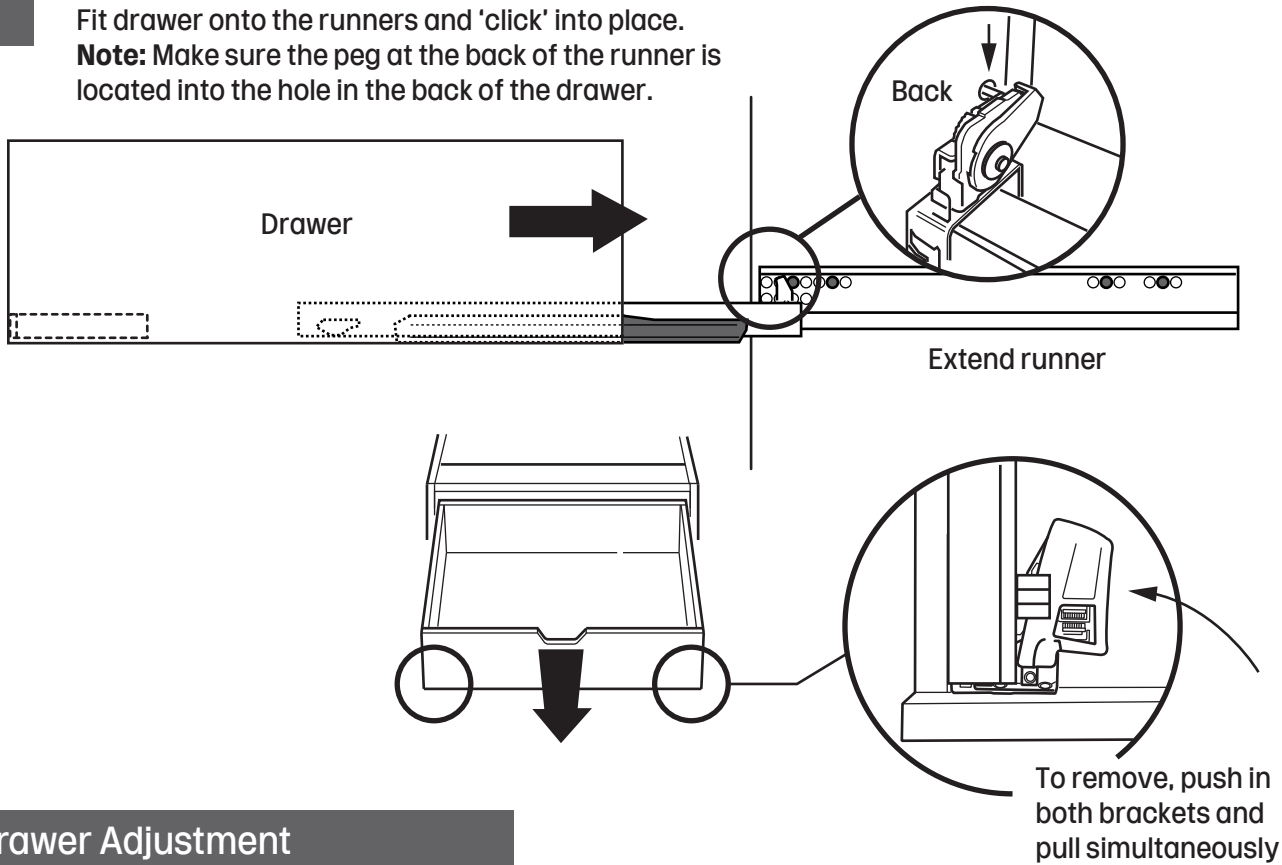


2 Fit brackets to the underside of drawer.
Note: Make sure the bracket is flat to the base of the drawer when fixing.



3

Fit drawer onto the runners and 'click' into place.
Note: Make sure the peg at the back of the runner is located into the hole in the back of the drawer.



Drawer Adjustment

Scan the QR code on the front of this leaflet for adjustment animation

