

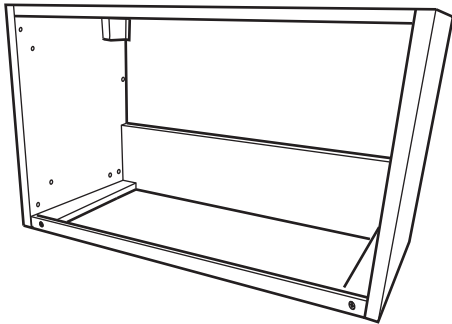
# Canopy Hood Wall Cabinet

## Installation

# LEAFCHW

### Important Notes:

Ensure packaging is disposed of in a safe environmentally friendly way  
Ensure no debris falls into the extractor during installation



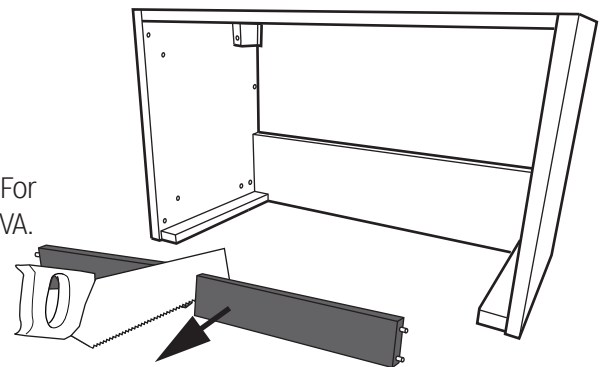
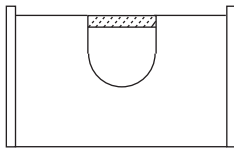
**Follow the Kitchen Installation Manual for all aspects of cabinet installation. A copy of this is available from your local Howdens depot or by scanning the QR code.**



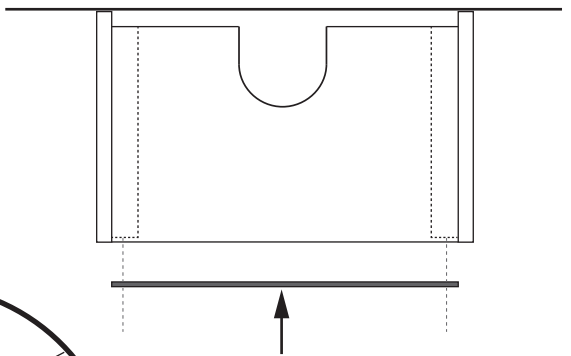
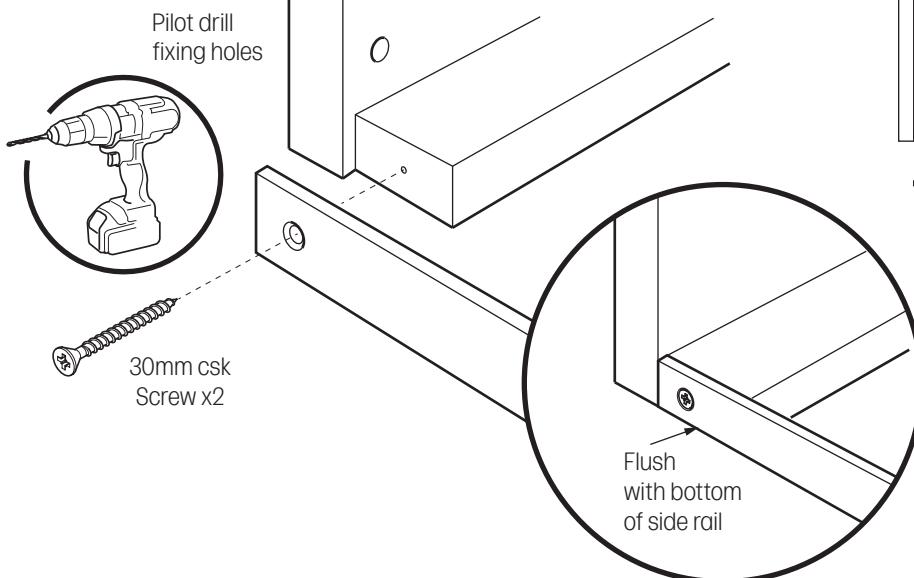
## Assembly

1. Remove the cabinet transit rail, cutting through with a saw. The top panel is cut for ventilation (See extractor fitting manual for installation).

**Note:** Some extractors may require removal of this section. For recirculation, seal raw edges with a waterproof varnish or PVA.



2. Fit the trim to the front of the cabinet using the screws supplied.  
**Note:** Ensure the metal trim is flush with the bottom of the side rail.



3. **Fit the cabinet to the wall.** See kitchen installation manual for wall bracket and fixing information.
4. **Fit the door to cabinet and adjust as required.** See kitchen installation manual for hinge fixing & adjustment.
5. **Fit the extractor into the cabinet.** See extractor fitting manual supplied with the appliance.  
**Note:** The trim can be loosened to aid installation if required.