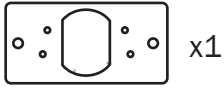


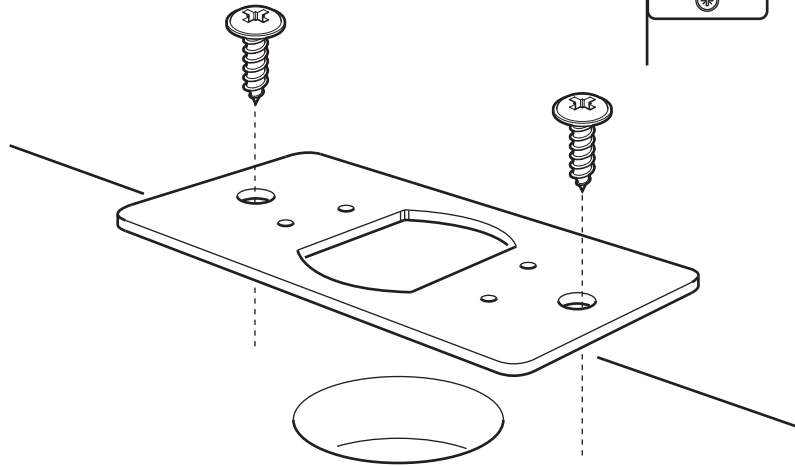
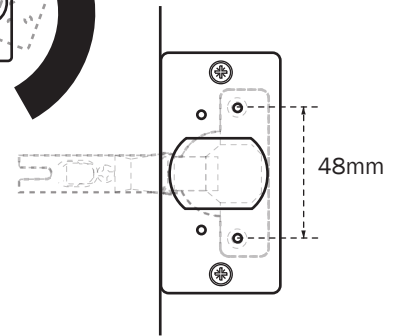
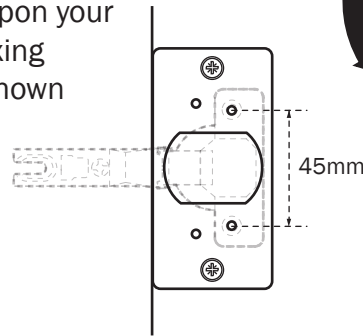
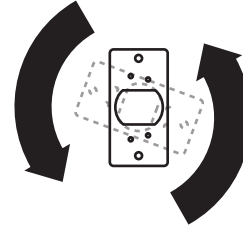
Hinge Repair Kit

Assembly - Door Plate

Position repair plate over existing hinge arm hole & flush with the door edge



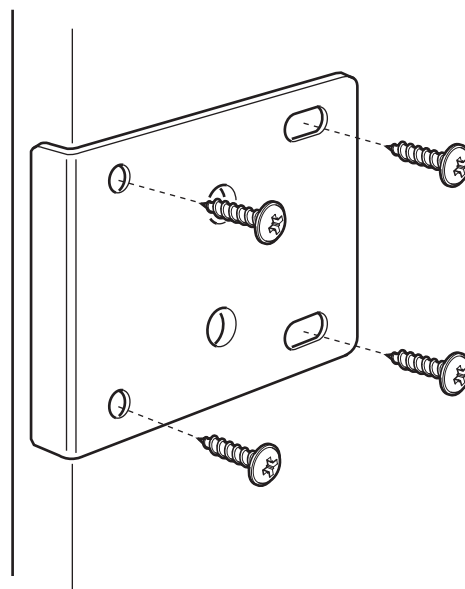
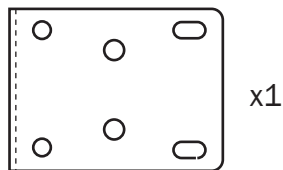
Note: Select the correct orientation of the repair plate depending upon your hinge arm fixing centres as shown



Note: When fixing the hinge arm to the repair plate, use the **new** screws supplied to secure.

Assembly - Cabinet Plate

Position repair plate over existing hinge plate fixing holes



Note: When fixing the hinge plate to the repair plate, use the **Existing** screws to secure.

