

LH or RH Assembly  
Base Cabinet (1 pull-out)

LH or RH Assembly  
Larder Cabinet (3 pull-outs)

**Important Notes:**

Do not use a power driver for this product installation

**6kg maximum load per basket**

Ensure packaging is disposed of in a safe environmentally friendly way

Spacer blocks are only required on the side the door is hung

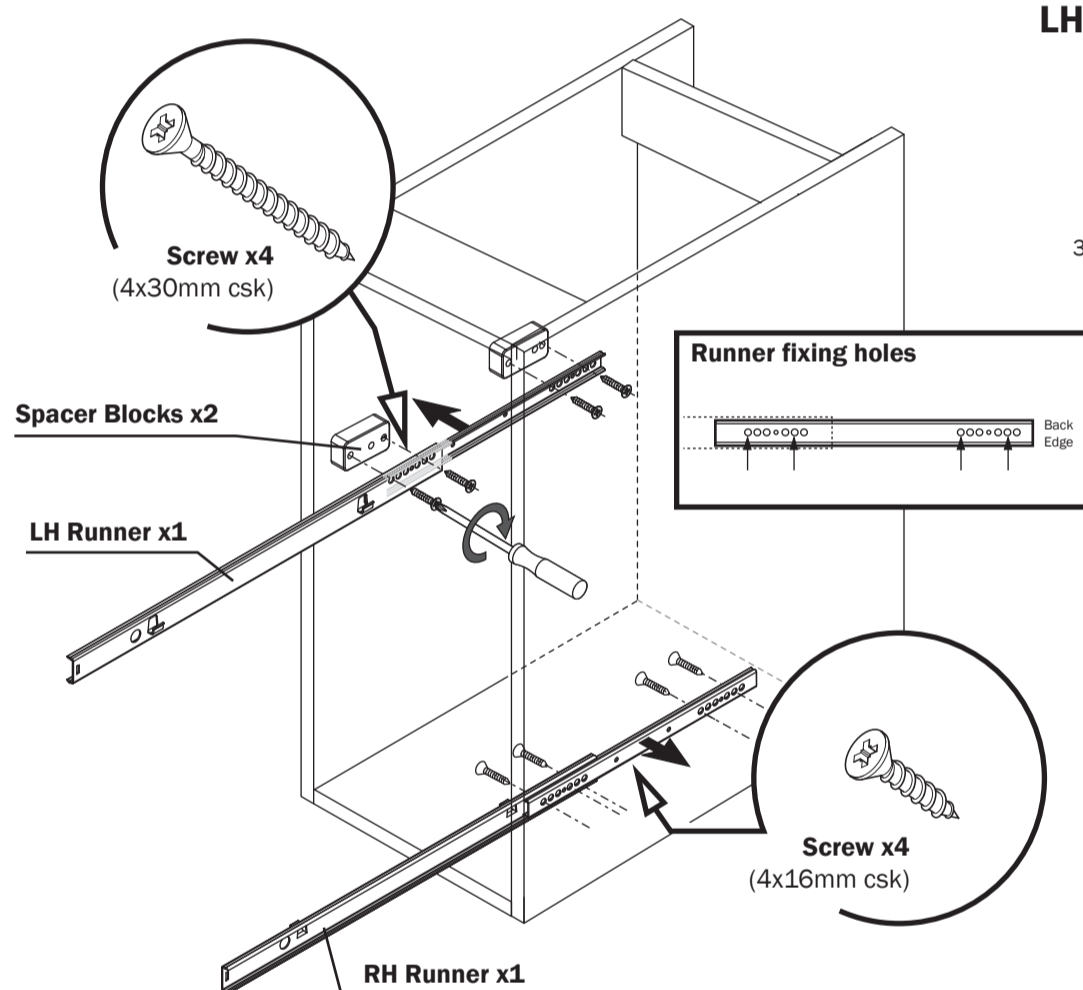
The pull-out can be used in a 300 base and larder application

Follow the larder side panel fixing locations on the reverse of this sheet

**1**

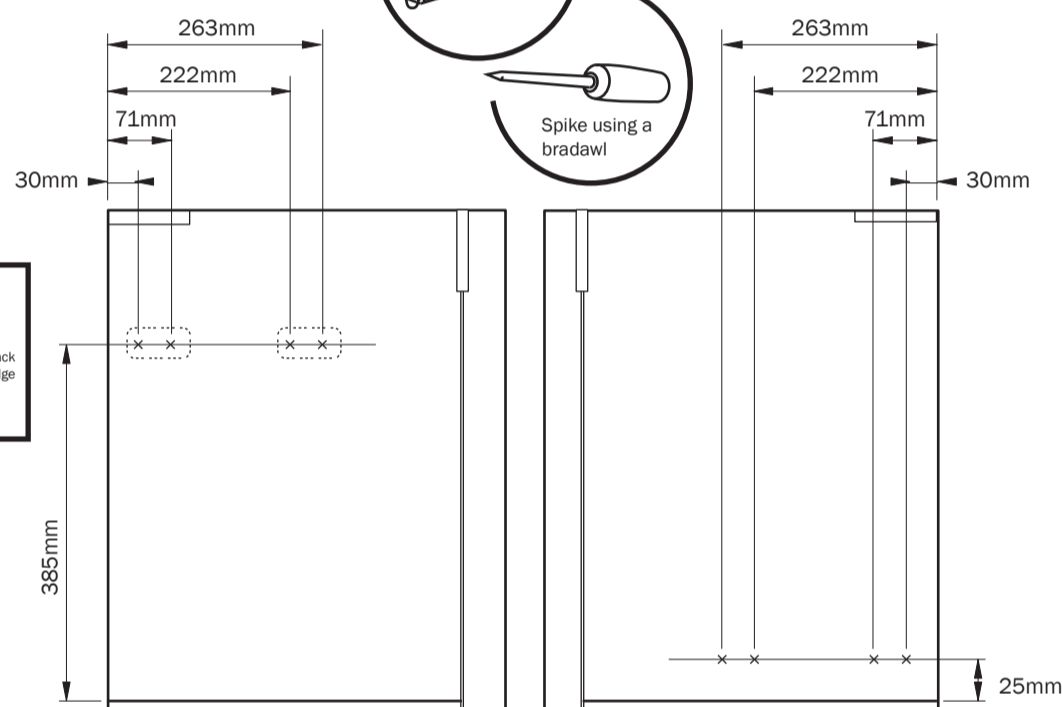
Using the dimensions shown spike runner fixing positions.

**Note:** Installation below shows a LH door hung assembly where spacer blocks are required on the LH side.



**LH Side Base Panel**

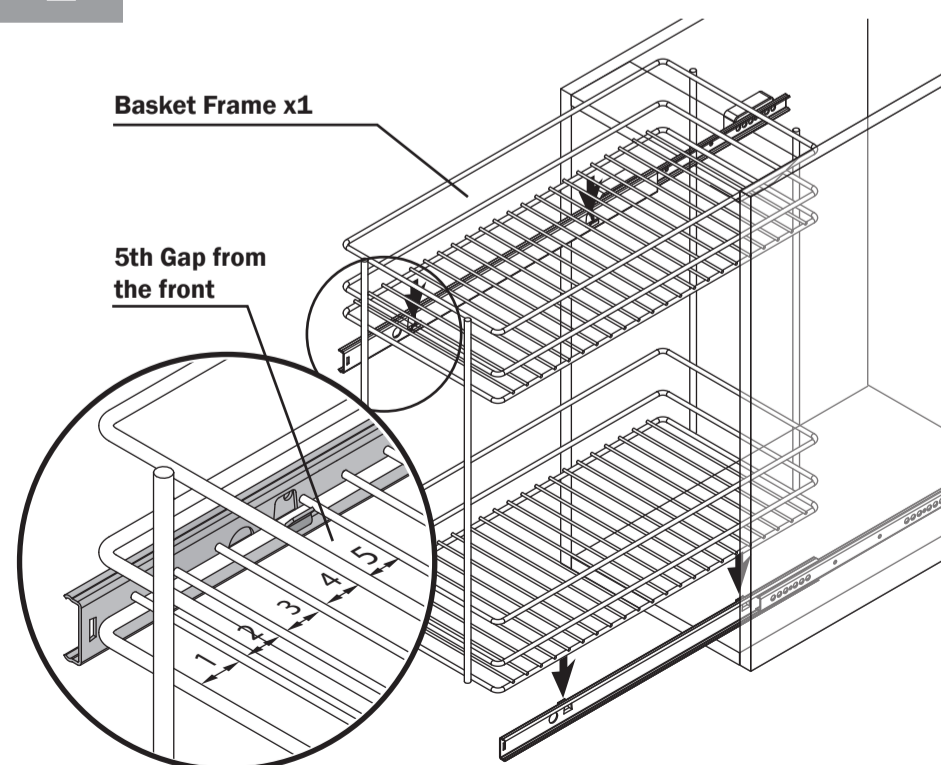
**RH Side Base Panel**



**IMPORTANT:** Spacer blocks must be fitted on the same side panel as the hinge plates. This is so the runner does not clash with the hinges

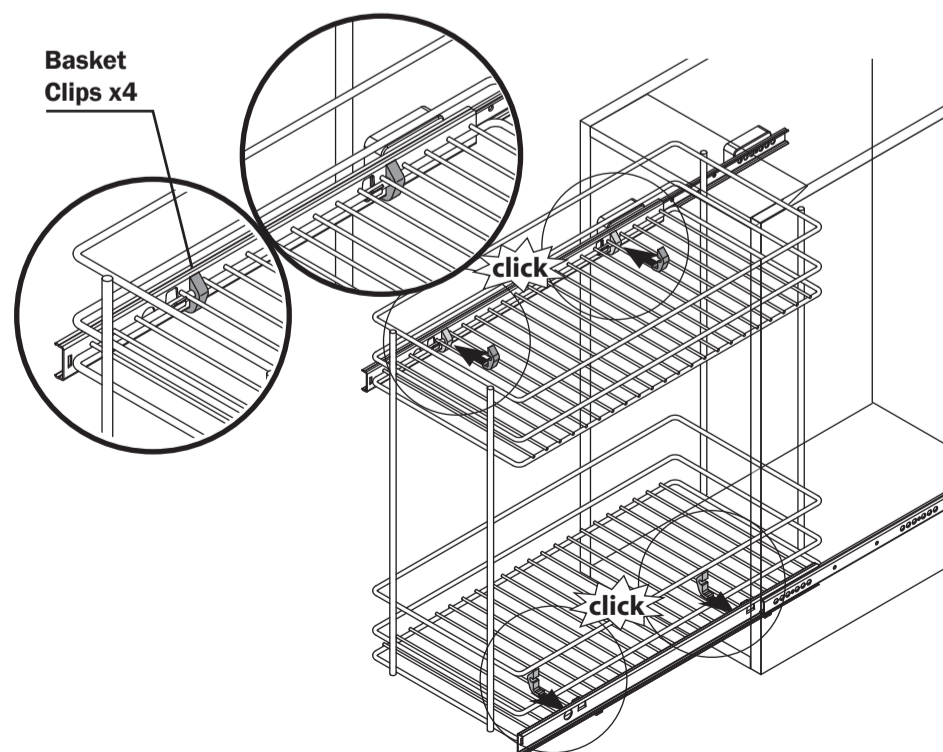
**2**

Fit the basket frame onto the runners.

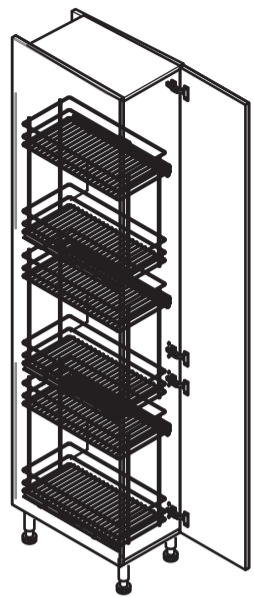


**3**

Secure the basket frame in place using the clips, clicking them into position.

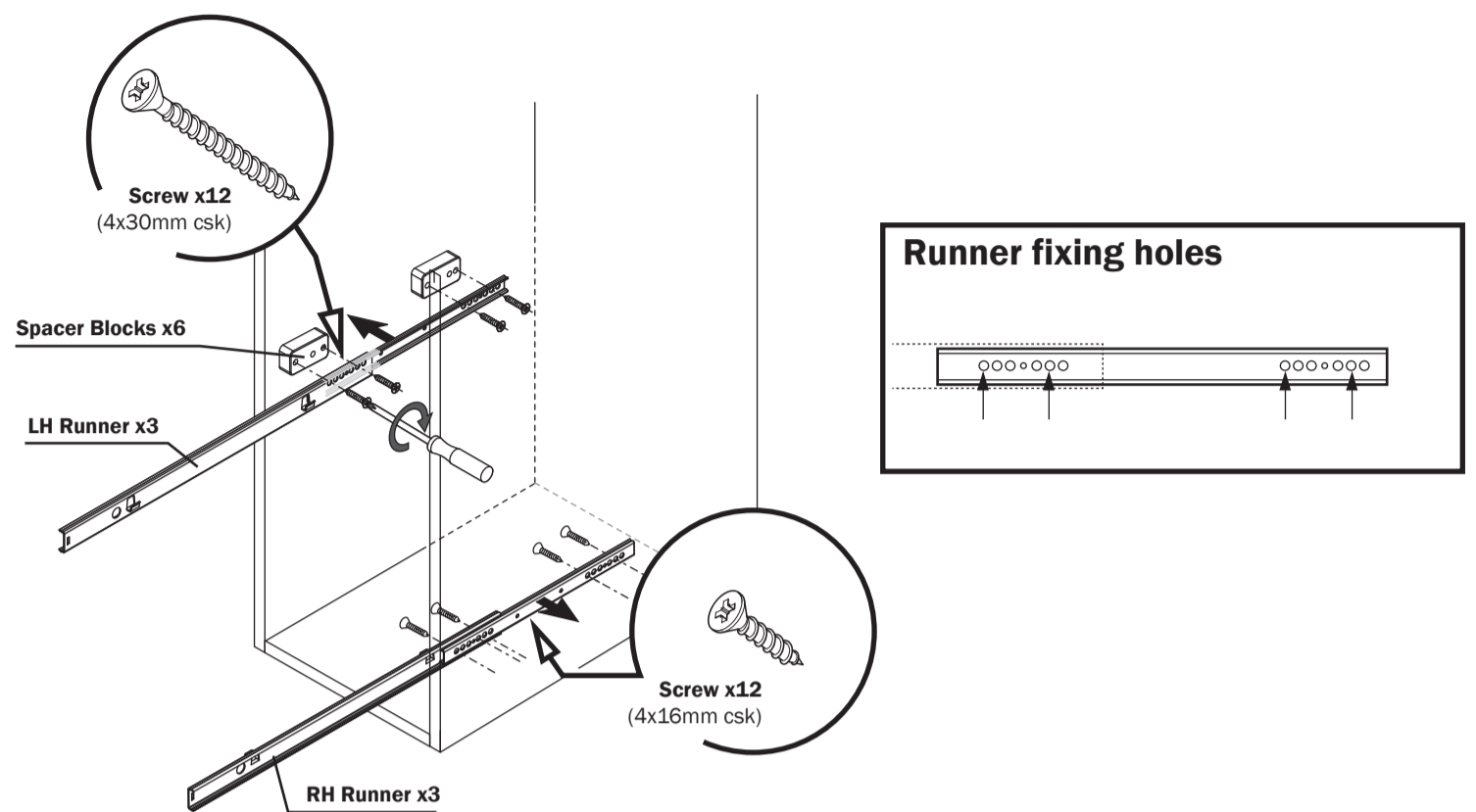


# 300 Base/Larder Pull-Out (LH&RH)



LH or RH Assembly  
Larder Cabinet (3 pull-outs)

1a



**IMPORTANT:** Spacer blocks must be fitted on the same side panel as the hinge plates. This is so the runner does not clash with the hinges.

*Illustration shows spacers being fitted to the LH side panel*

## LH Side Larder Panel

## RH Side Larder Panel

