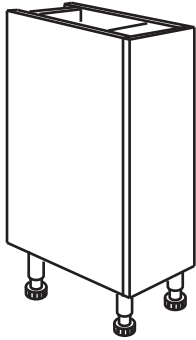


# Base Pull Out

Frontal Fixing & Adjustment

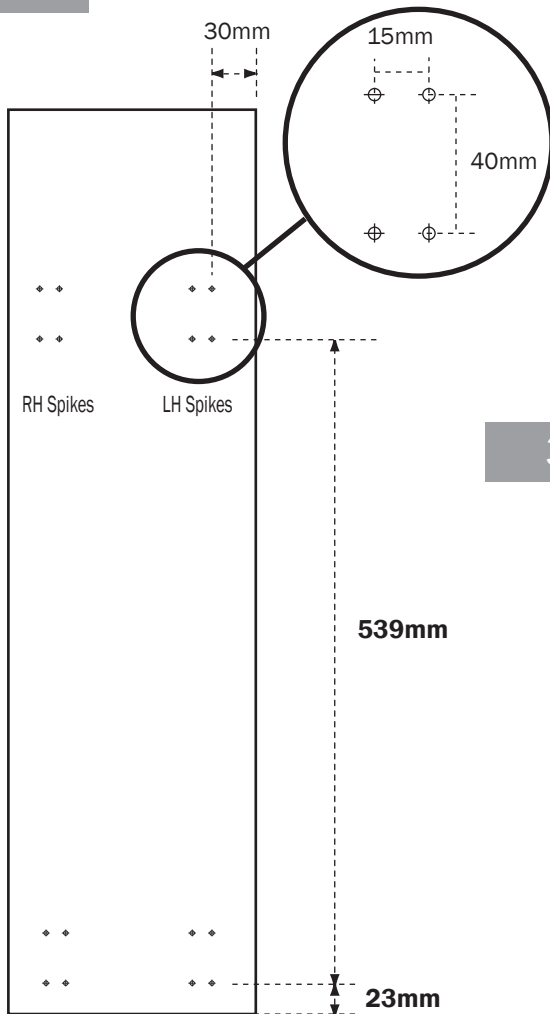
# LEAFP04H



NOTE: Ensure packaging is disposed of in a safe environmentally friendly way

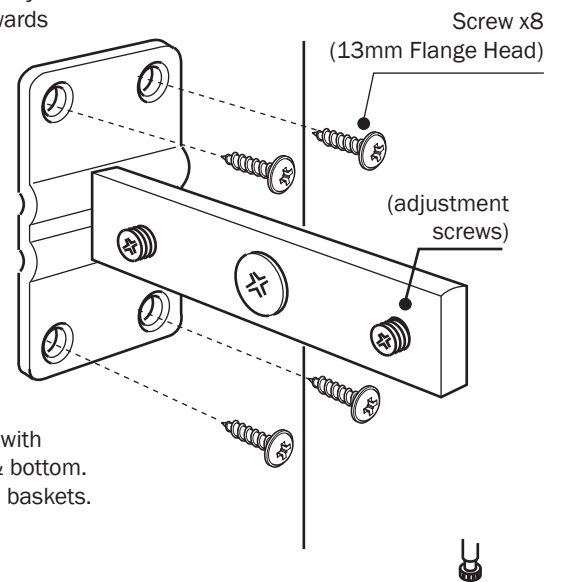
## Assembly

1



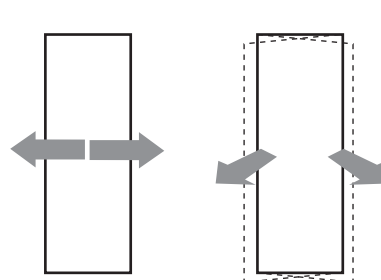
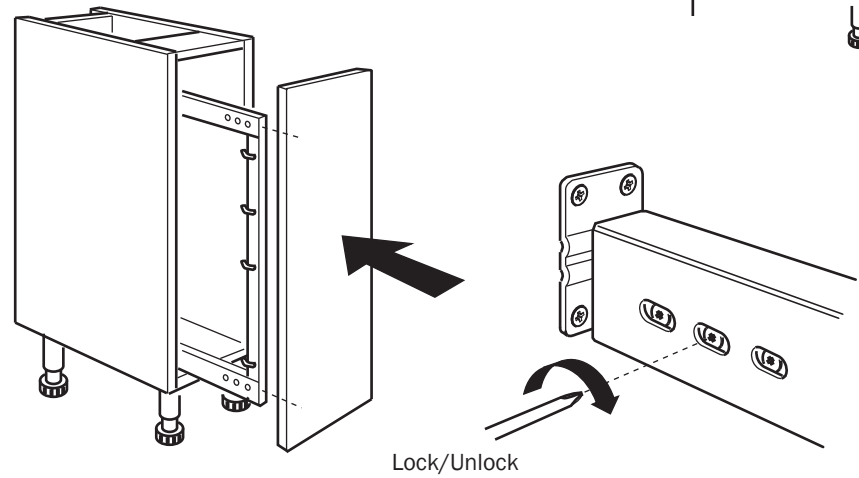
2

Fit bracket  
**Note:** Ensure adjustment screws are facing inwards



3

Fit frontal aligning the brackets with frame and lock in position top & bottom. Once fitted and adjusted, fit the baskets.



Lock once adjustment is complete

Follow your installation manual for all other aspects of cabinet installation.

HD412181

## Adjustment

### Issue: Pull-out not closing correctly

Runners must be parallel for the pull-out to close correctly.

Door adjustment can lead to closing issues if only the top or bottom adjusting screw was loosened. Once the front panel has been adjusted, the un-used adjusting screw must also be loosened, then tightened again.

**Note:** The pull-out should be in the 'nearly' closed position to ensure runners are parallel.

