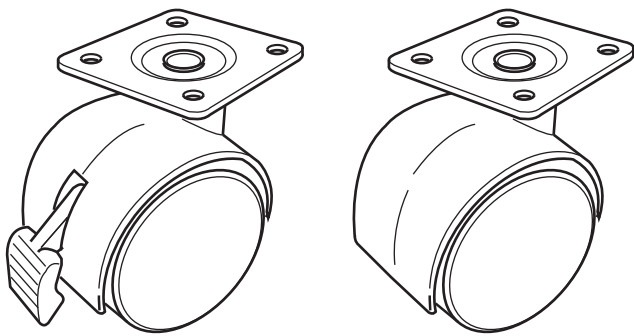
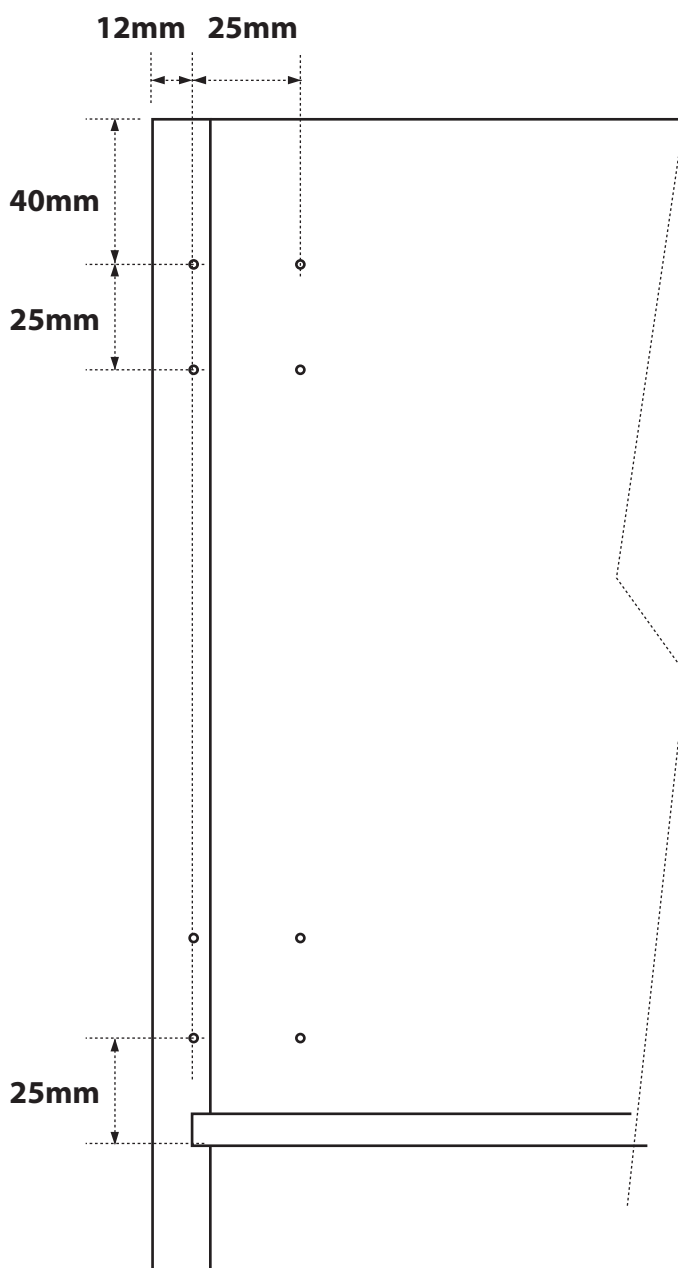
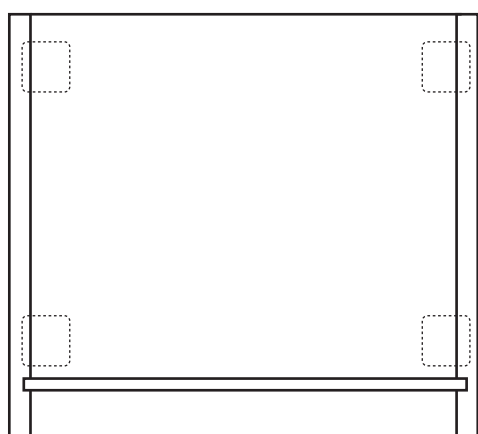


# Castor Assembly

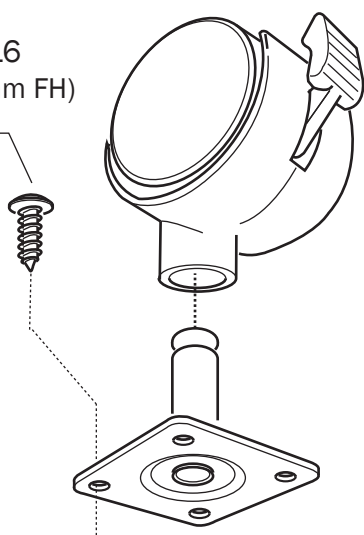


NOTE: Ensure packaging is disposed of in a safe environmentally friendly way

## Assembly



Screw x16  
(3.5x16mm FH)  
Not supplied



**NOTE:** Make sure castors are fully located onto the pegs, so they click into position.

**Follow your installation manual for all other aspects of cabinet installation**