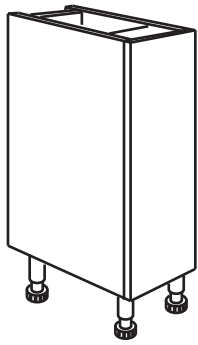


# 200mm Base Pull Out

Frontal Fixing & Adjustment

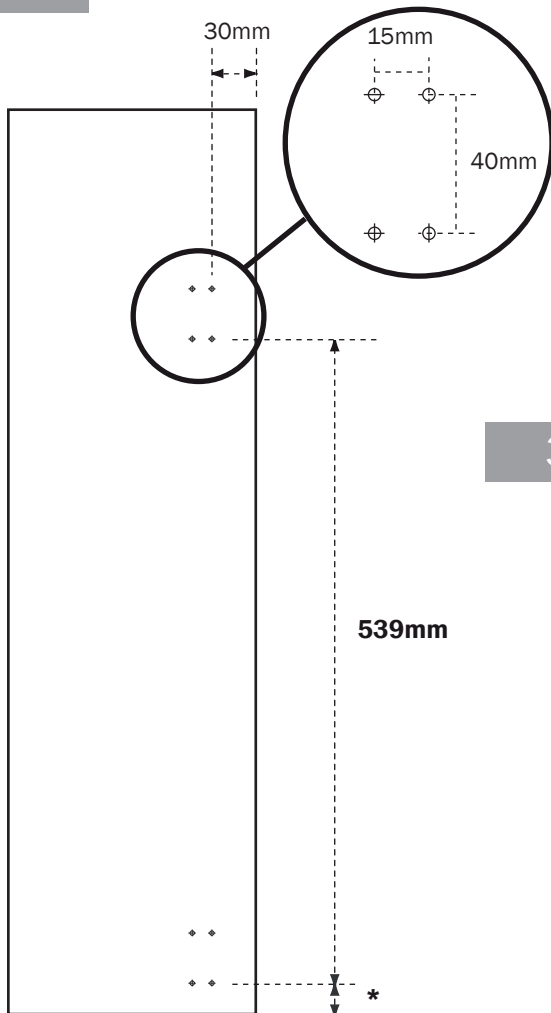
# LEAFINTPO



NOTE: Ensure packaging is disposed of in a safe environmentally friendly way

## Assembly

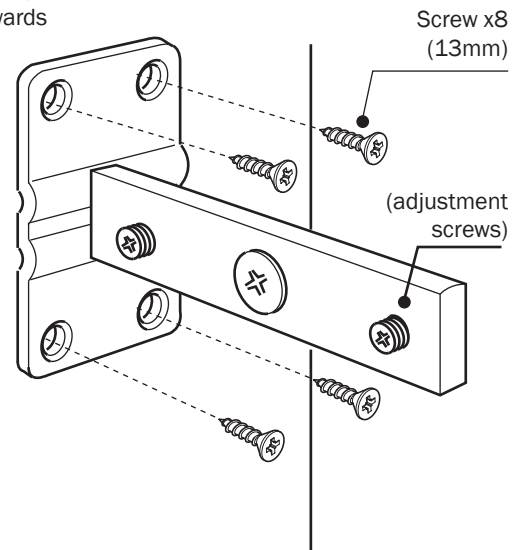
1



\*Standard Door = 24.5mm  
\*Framed Door = 42.5mm

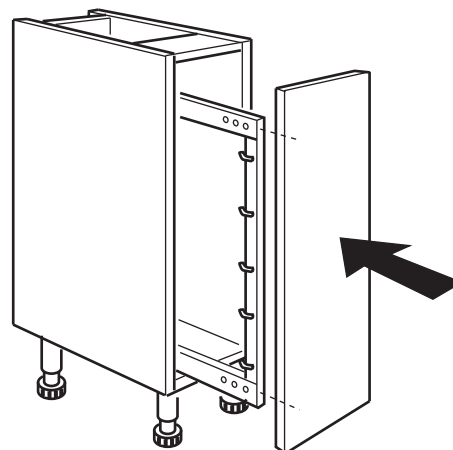
2

Fit bracket  
**Note:** Ensure adjustment screws are facing inwards

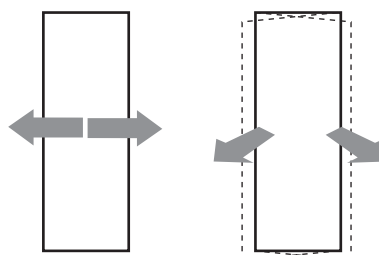


3

Fit frontal aligning the brackets with frame and lock in position top & bottom



Lock/Unlock



Lock once adjustment is complete

Follow your installation manual for all other aspects of cabinet installation.