

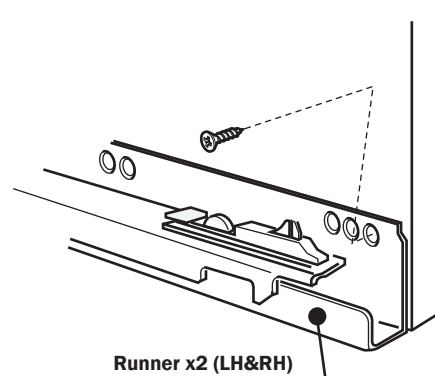
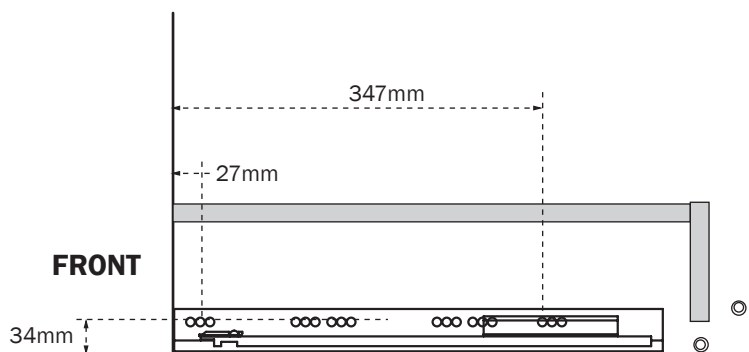
Important Notes:

Ensure packaging is disposed of in a safe environmentally friendly way

This leaflet should be used in conjunction with your Kitchen Installation Manual

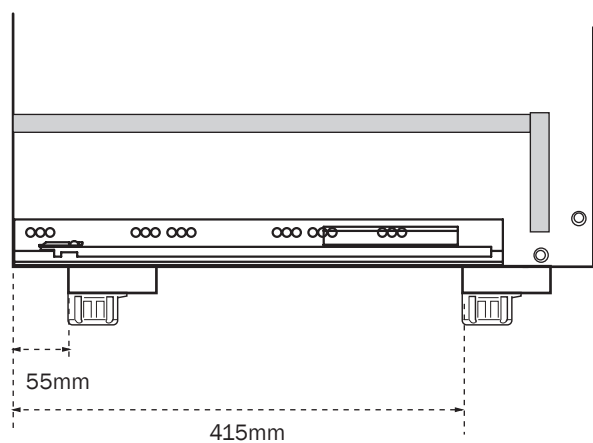
Runner Fixing

Measure and mark runner fixing positions. Secure runner into place using the screws provided.

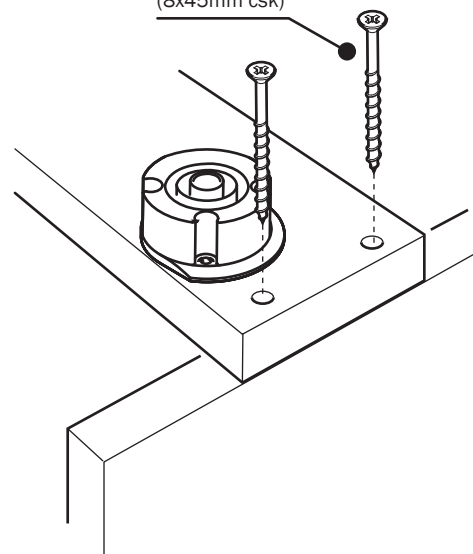


Leg Rail Assembly

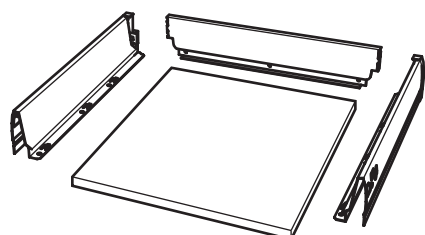
- 1 Fit the rails to the underside of the cabinets using the dimensions below as a guide.



Screw x8
(8x45mm csk)



- 2 Assemble the drawer following the instructions in the Kitchen Installation Manual



- 3 Mark and fit brackets to the back of drawer front. Secure the front to the drawer box then fit the drawer to the runners.

