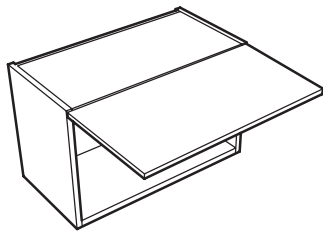
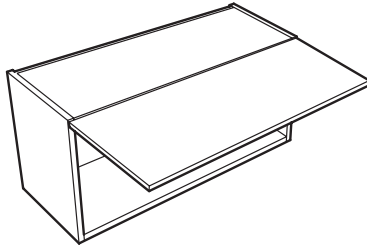


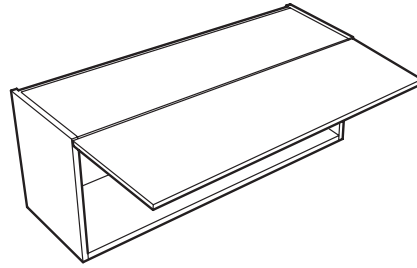
Hob Wall/Half Height Wall Bridging Cabinets



600mm Hob Cabinet
(Flapstay not required)



500/600/800mm
Half Height Cabinet

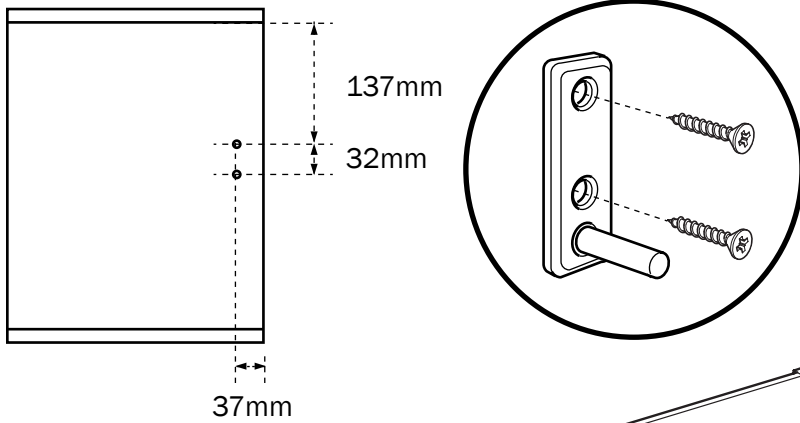


1000mm Bridging Cabinet

Assembly

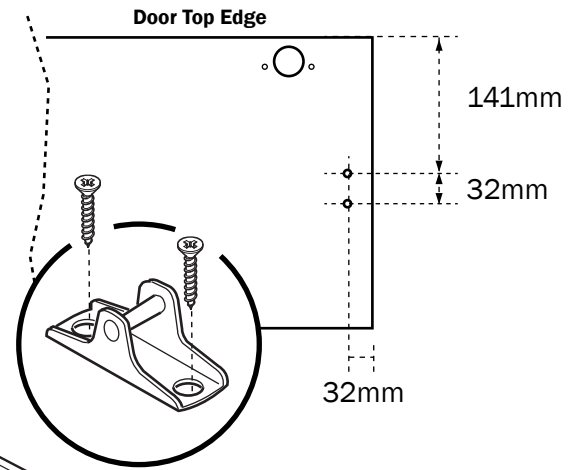
1

Mark out the cabinet end fixing positions and secure bracket using the screws



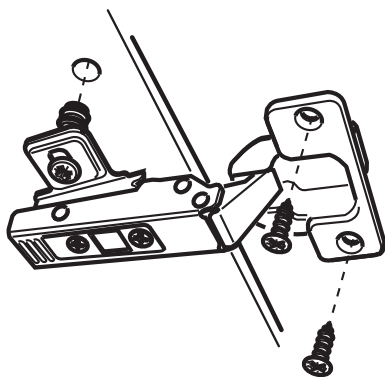
2

Mark out the frontal and fit the bracket using the screws to secure



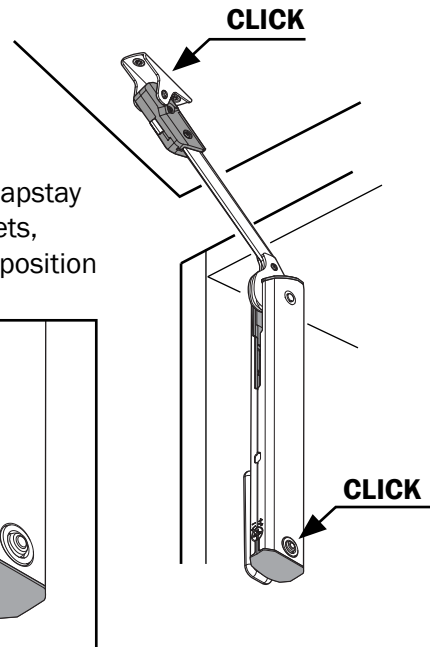
3

Fit the door to the cabinet using the hinges



4

Clip on the flapstay to the brackets, clicking into position



Adjustment setting number

ADJUSTMENT

Adjust the tension in the flapstay +/- to frontal weight (if applicable with handle fitted)

Note: A power driver with a PZ-2 bit can be used

