

Section 1 - Kitchen installation - Base cabinets

931 Corner base cabinet

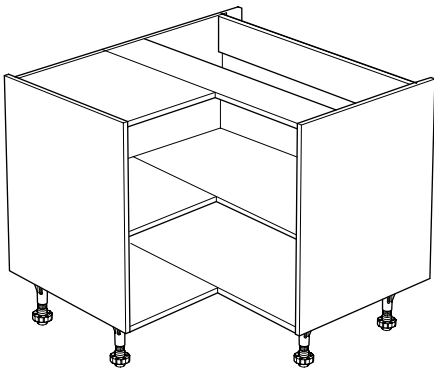
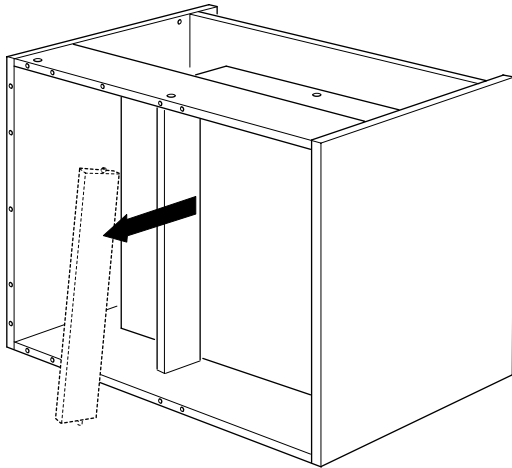


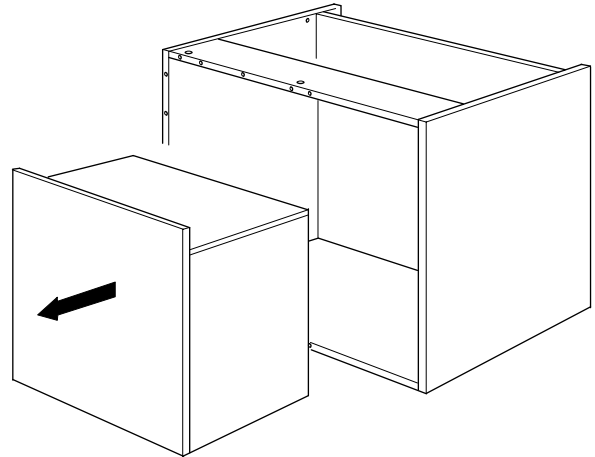
Illustration shows additional shelf pack fitted.

Assembly

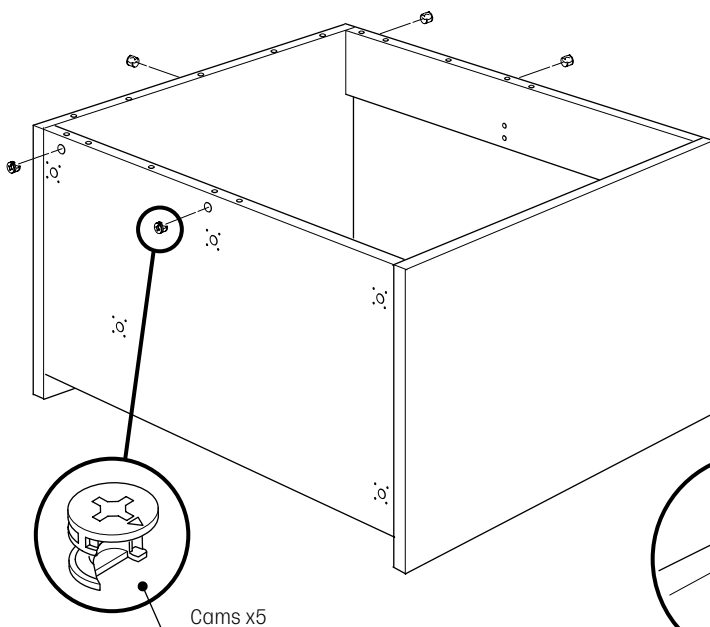
- 1** Remove transit rail from the cabinet.



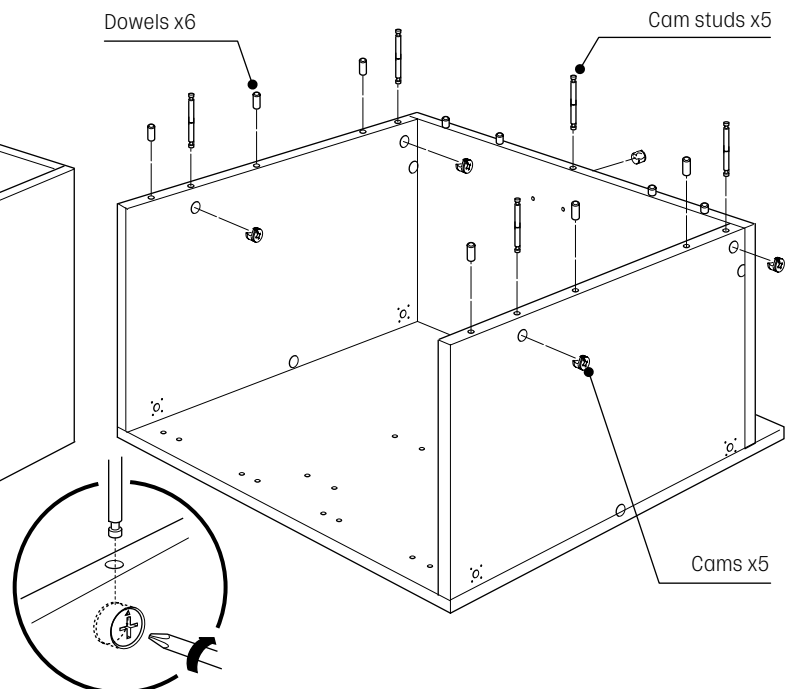
- 2** Remove small cabinet.

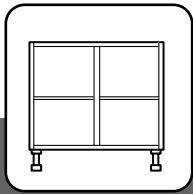


- 3** Lay the large cabinet on its back edge and fit cams.



- 4** Fit dowels, cams and cam studs to the small cabinet, turning cams to lock studs in position.
NOTE: Glue dowels into position.

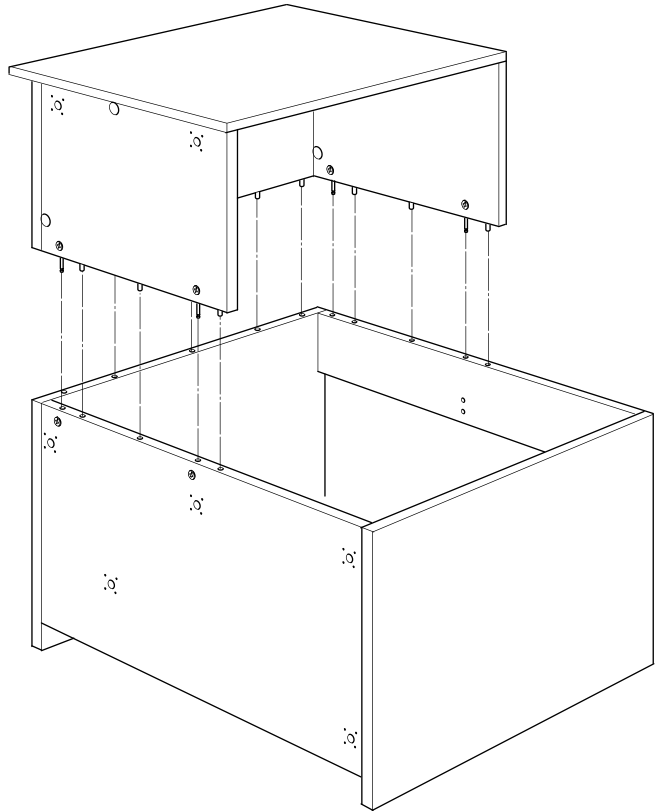
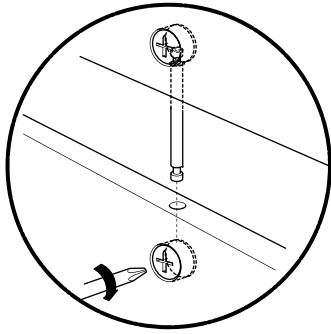




Section 1 - Kitchen installation - Base cabinets

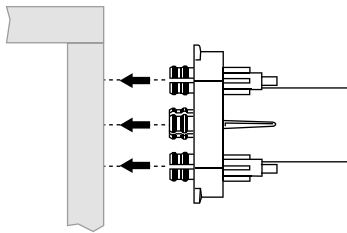
931 Corner base cabinet

- 5** Fit the small cabinet to the large cabinet aligning the dowels with glued dowel holes and cam studs with cams.
NOTE: Make sure all cam studs are secure.

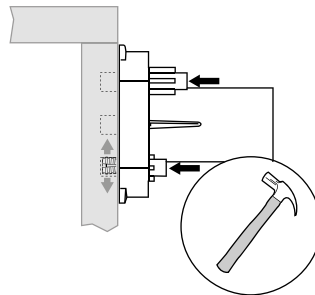


- 6** Fit the feet (x7) to the underside of both cabinet sections, see **pages 22-23** for additional information.

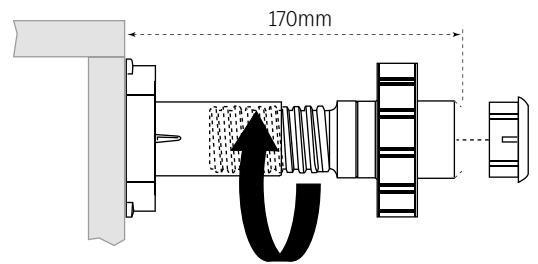
Push top into cabinet base.



Knock in the 3 dowels to secure.
NOTE: Dowels should be flush with the surface once secure.



Screw in leg base and adjust.
NOTE: Leg has a nominal height mark at 170mm and can be adjusted +/- 22.5mm.



Mid shelves

Fit the shelf sections together using the cams, studs and dowels.
NOTE: Shelf components and fittings are supplied as an additional pack.

Fit the shelf pegs into the cabinet then position shelf.

