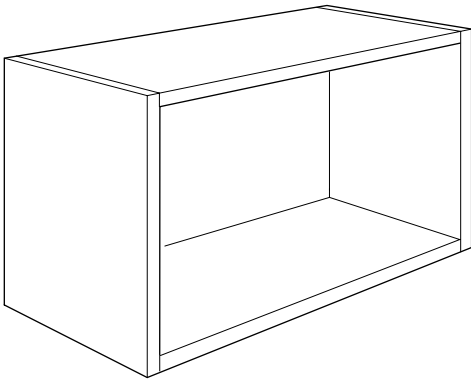


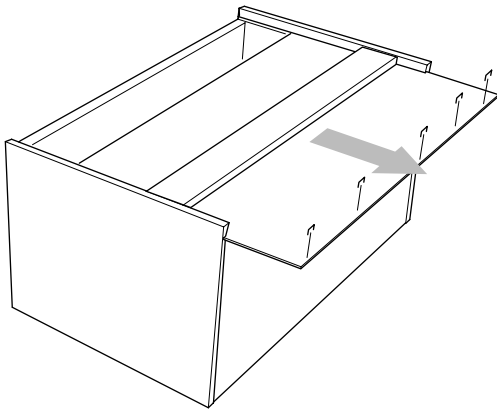
# Hob wall cabinet - Modification for microwave housing



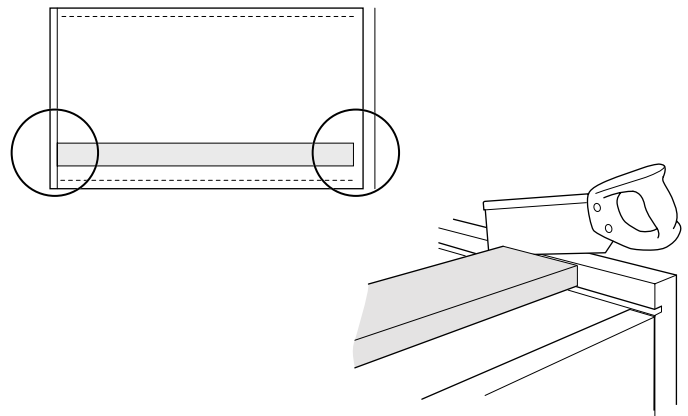
**NOTE:** The modified Hob Wall Unit is for the appliance housing.

## Unit preparation

- 1** Remove the back panel from the unit discarding staples.



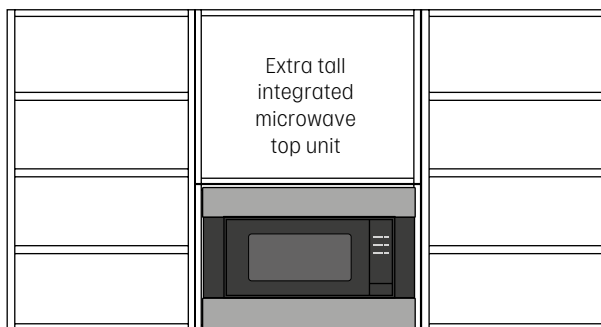
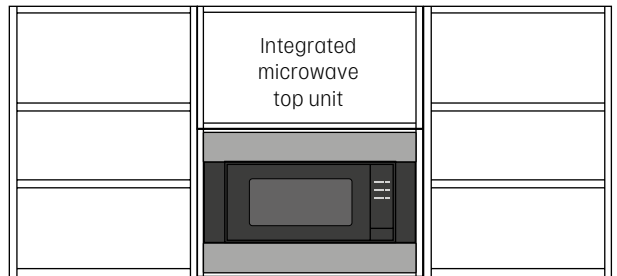
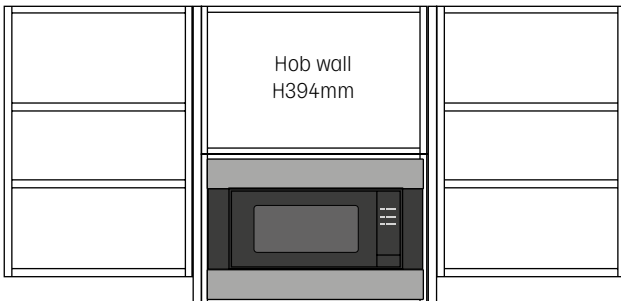
- 2** Remove the wall fixing rail.

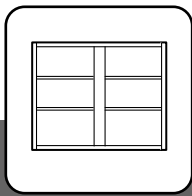


## Cabinet fixing

Secure the cabinet to the wall using the suspension brackets.  
Secure through the adjoining cabinets and into the hob cabinet for additional fixing.

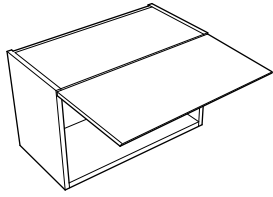
## Application examples



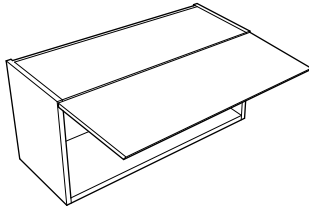


## Section 4 - Kitchen installation - Wall cabinets

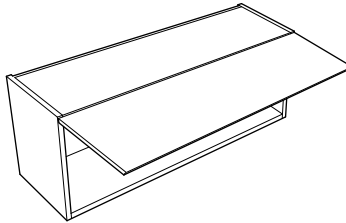
# Hob wall/Half-height wall/Bridging cabinet



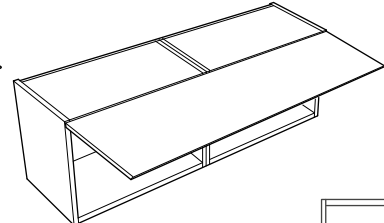
**600mm Integrated microwave top unit**



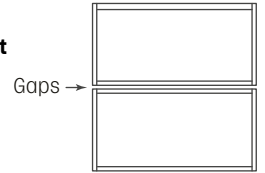
**500/600/800mm Half height cabinet**



**1000mm Bridging cabinet**



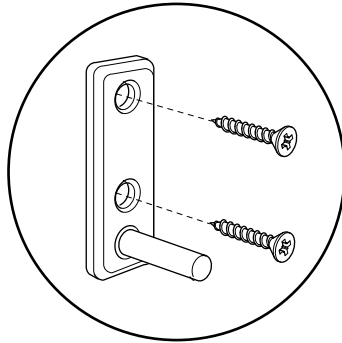
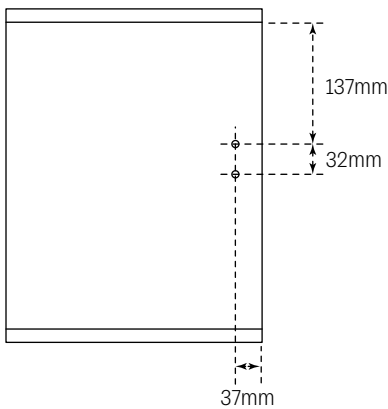
**1200mm Half height cabinet**



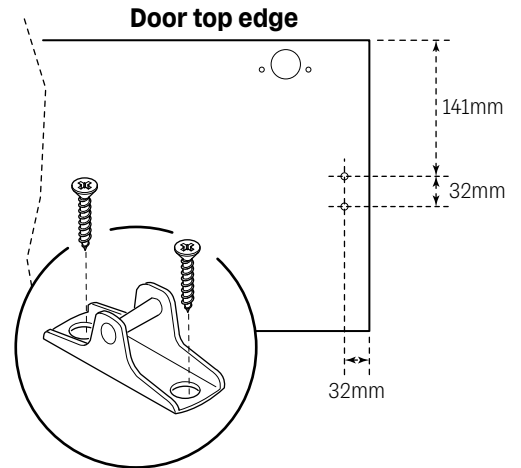
**NOTES:** When fitting two half height wall cabinets on top of each other, any gaps between cabinets can be filled with a suitable caulk or silicone filler. Two half height wall cabinets on top of each other will require a magnetic catch (push to open) fitted to the top cabinet.

## Assembly

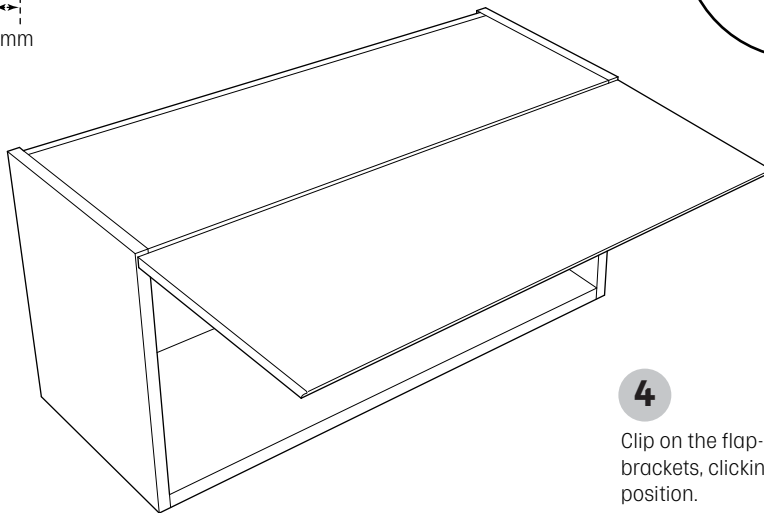
- 1** Mark out the cabinet end fixing positions and secure the bracket using the screws.



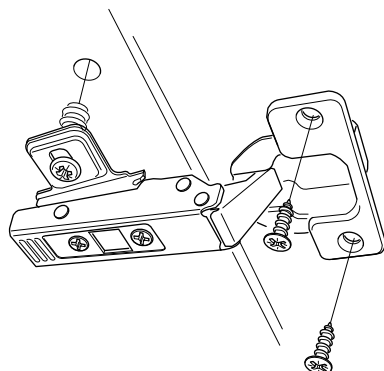
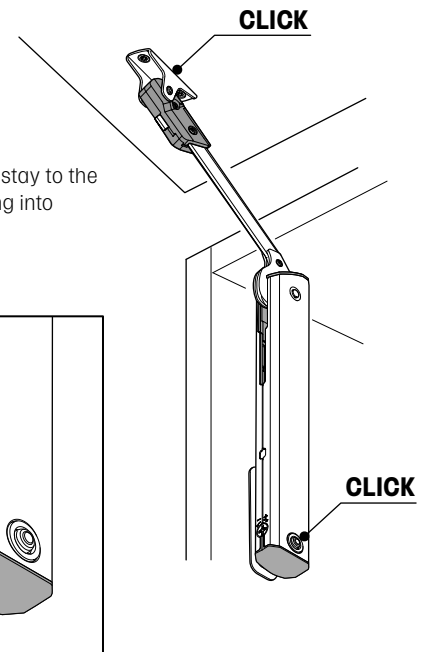
- 2** Mark out the frontal and fit the bracket using the screws to secure.



- 3** Fit the door to the cabinet using the hinges.



- 4** Clip on the flap-stay to the brackets, clicking into position.



Adjustment setting number.

**Adjustment**  
Adjust the tension in the flap-stay +/- to frontal weight (if applicable with handle fitted).  
**NOTE:** A power driver with a PZ-2 bit can be used.

