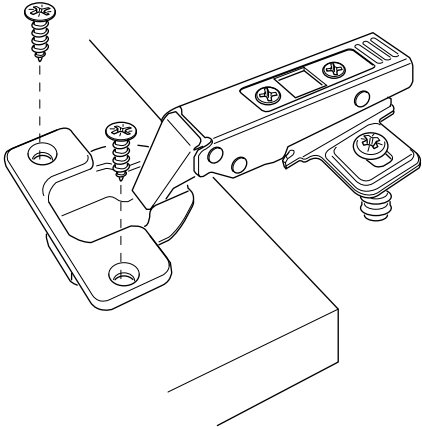


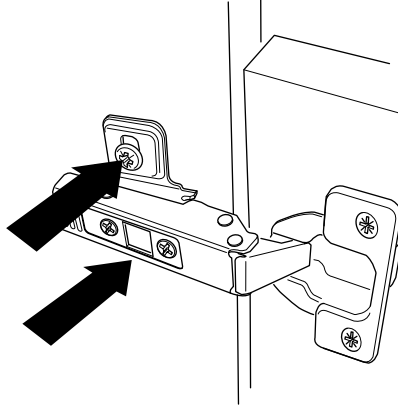
Section 4 - Kitchen installation - Hinges

Fitting

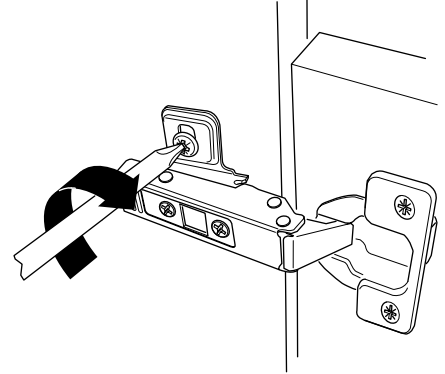
Step 1 - Fit hinge



Step 2 - Fit door

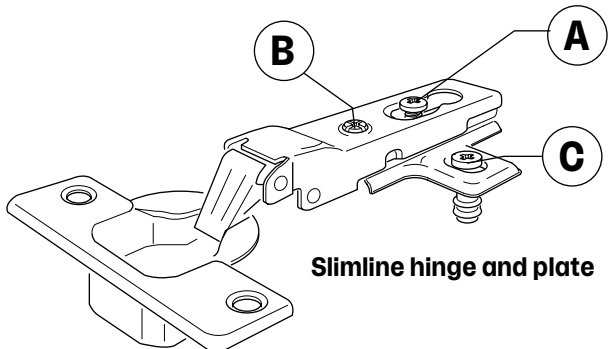
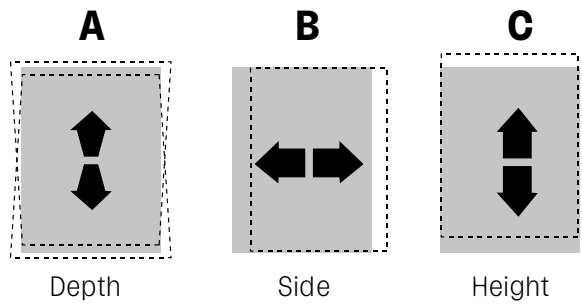
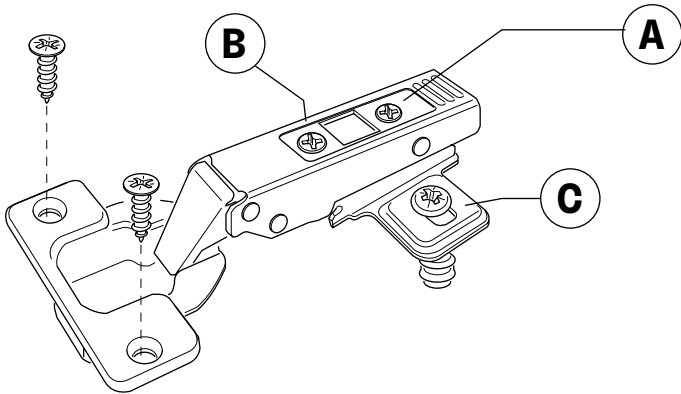


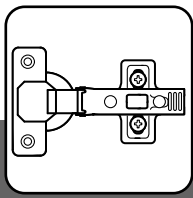
Step 3 - Tighten



Fit the door to the cabinet, aligning the plastic pegs on the hinge plate with the holes in the cabinet. Firmly push into place. Tighten screws on the hinge plate, expanding the pegs to secure.

Adjustment





Section 4 - Kitchen installation - Hinges

Upgrade soft-close hinges

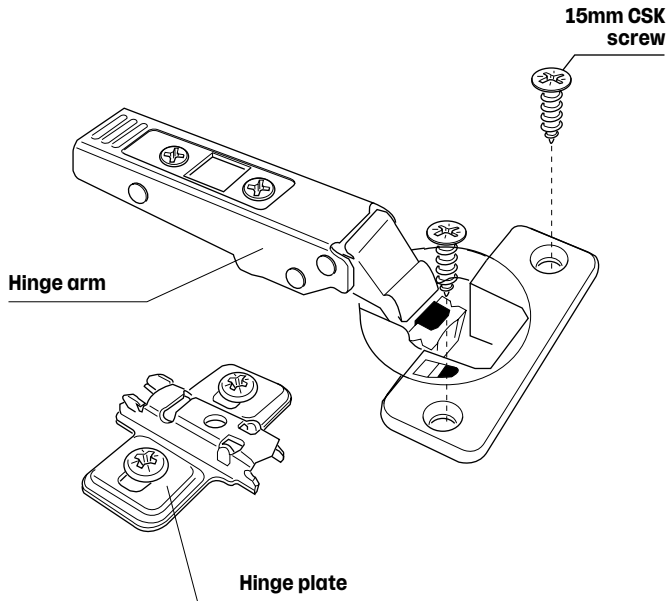
Hinge assembly

Fit hinge arms to doors and plates to cabinets using the screws supplied.

95°/110° Hinge - Standard

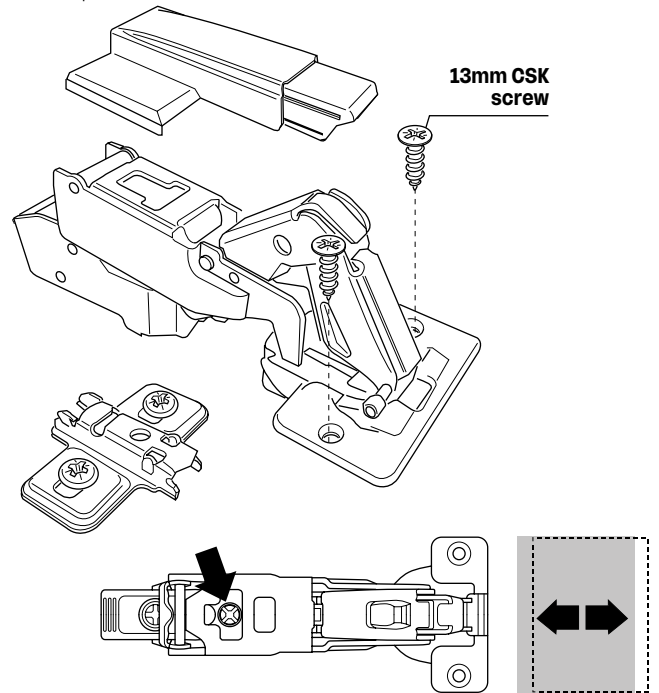
Integrated soft-close hinge.

NOTE: 95° Hinge used on Integrated Handle ranges.

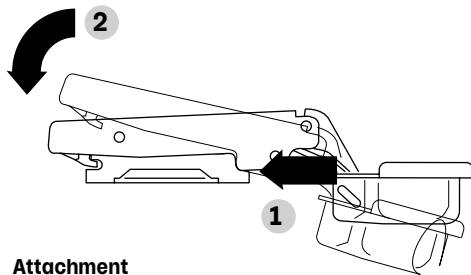


170° Hinge - Standard

Soft close damper.

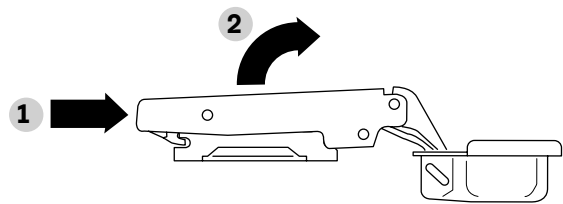


Installation and adjustment



Attachment

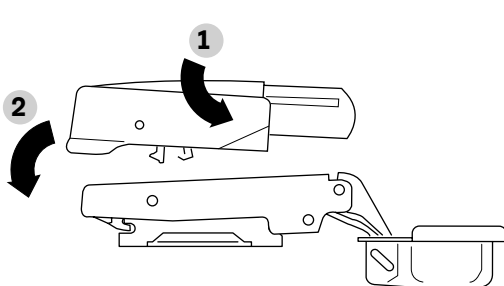
Locate at the front and push down at the back, clipping into place.



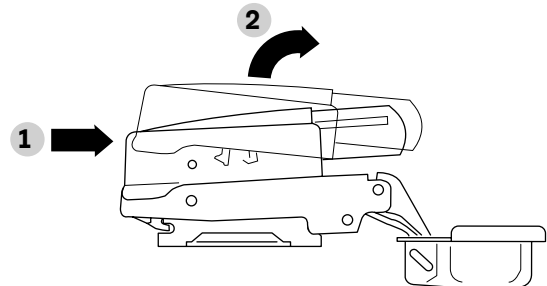
Removal

Push the clip at the back.

Damper installation



Similar installation for all dampers.



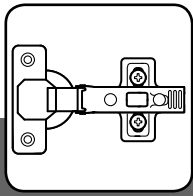
Removal

1. Push forward and pull up simultaneously.

NOTE: Door adjustment should be carried out before this stage.

Attachment

1. Push forward and down at the front.
2. Push down on the back.



Section 4 - Kitchen installation - Hinges

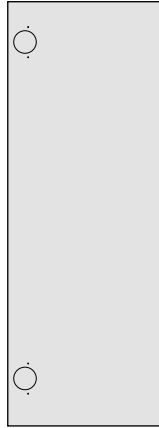
Soft-close de-activation switch

NOTE: Some doors may not require two activated soft-close hinges due to their size and weight. If the door is not closing correctly, please de-activate one of the soft closing switches on one of the hinges to improve the soft close action.
Below is a simple guide on where the de-activation switch should be active.

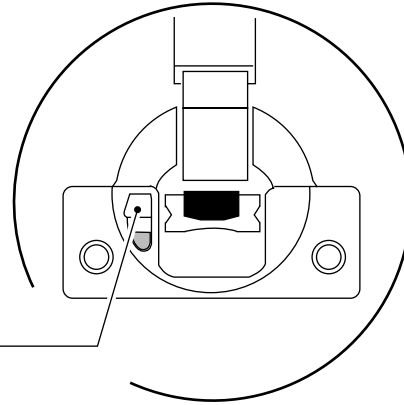
One soft close hinge activated (recommended).



200*

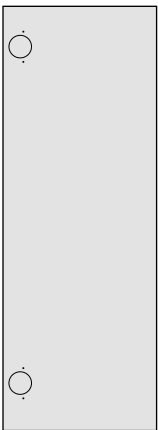


300**



Soft-close activation/
de-activation switch.

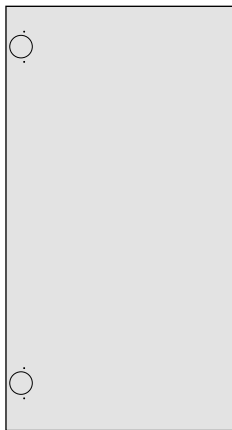
Two soft-close hinges activated (recommended).



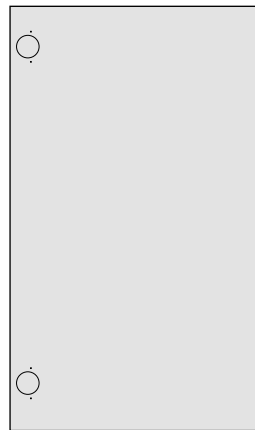
300



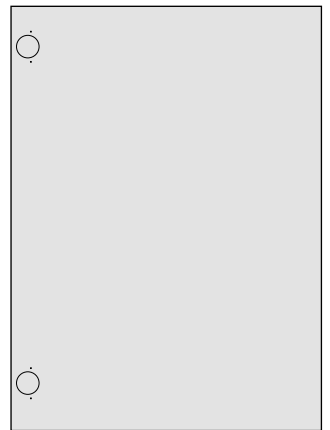
400



450



500



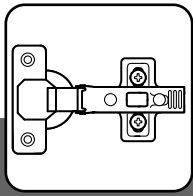
600

*Where applicable.

**On Greenwich ranges only.

The information above is applicable to all standard height, full-height, extra tall and hob wall doors.

NOTE: This information is not applicable to half-height doors and integrated microwave wall units.



Section 4 - Kitchen installation - Hinges

Magnetic catch - Push to open

IMPORTANT: When fitting push to open, the hinges and hinge plates supplied with the cabinet will need to be replaced with the 110° unsprung hinges and hinge plates supplied as part of the magnetic catch pack. These should be fitted to the cabinet in the positions of the existing hinges and hinge plates.

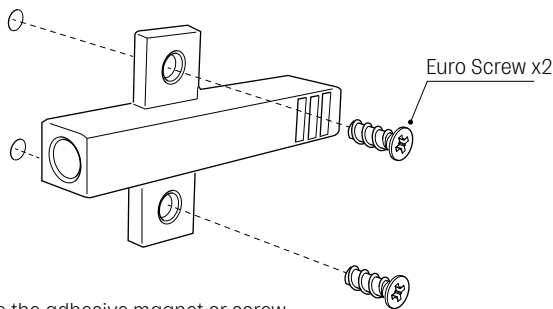
170° unsprung hinges are also available for corner cabinet applications as part of pack HYH8436.

Adapter plate

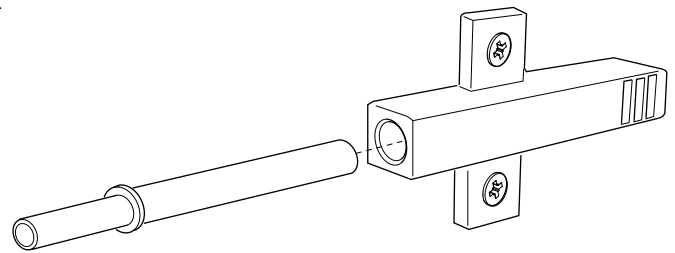
- 1** Fit the adapter plate to the hinge plate positions on the opposite side of the hinged door. Use euro screws to secure.

NOTE: If your cabinet does not have hinge plate holes drilled, pilot drill and use two 13mm CSK screws. Adapter should be fitted flush with the front edge of the cabinet and 70mm up from the bottom of the side panel.

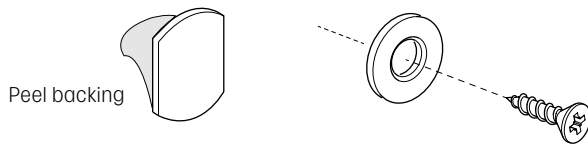
NOTE: In a larder tower application, the push to open catch should be positioned to a hinge hole location towards the middle of the unit.



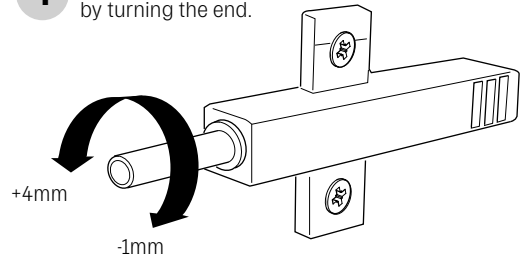
- 2** Fit the piston to the adapter plate pushing into place.



- 3** Use the adhesive magnet or screw on magnet, positioning to the back of the door in line with the piston.

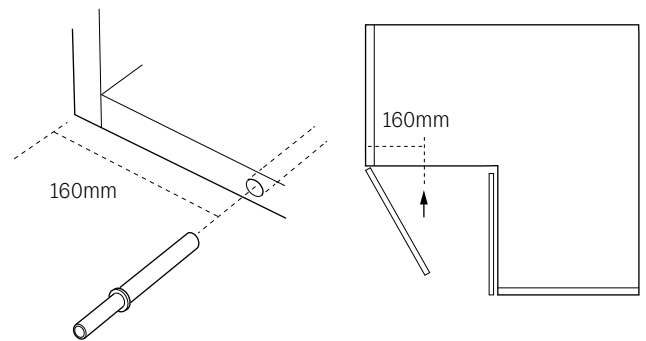


- 4** Adjust the position of the piston by turning the end.



631/931 cabinet application

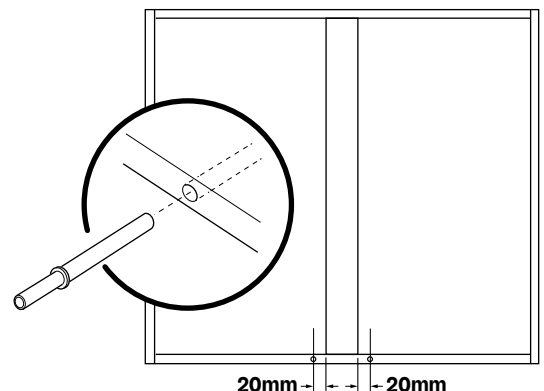
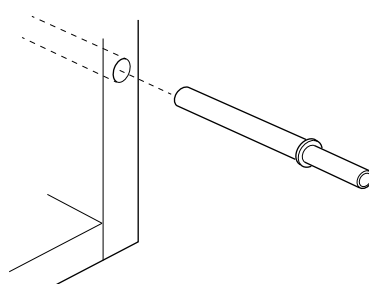
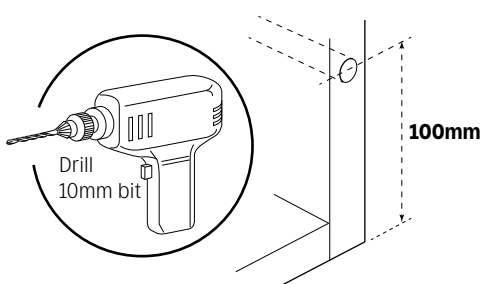
When using the push to open on a 631/931 cabinet application, the piston should be fitted into the bottom shelf front edge, 160mm in from the cabinet side. This is to avoid any clash with the adjoining door.



Side panel/base edge application

- 1** Carefully drill the front edge of the cabinet.
NOTE: Drill hole should be a diameter of 10mm x 76mm in depth.

- 2** Fit the piston into the hole.
Fit the magnet to the door as shown above.



For wall cabinets with a centre post, place the piston into the front edge of the base panel as shown.