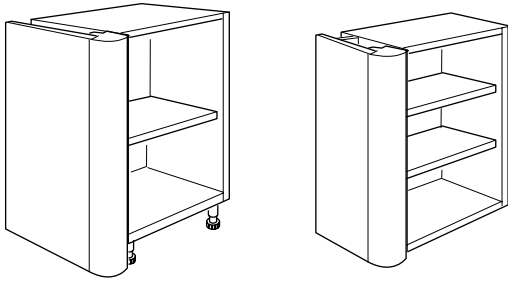


Section 8 - Curved units

Curved corner post



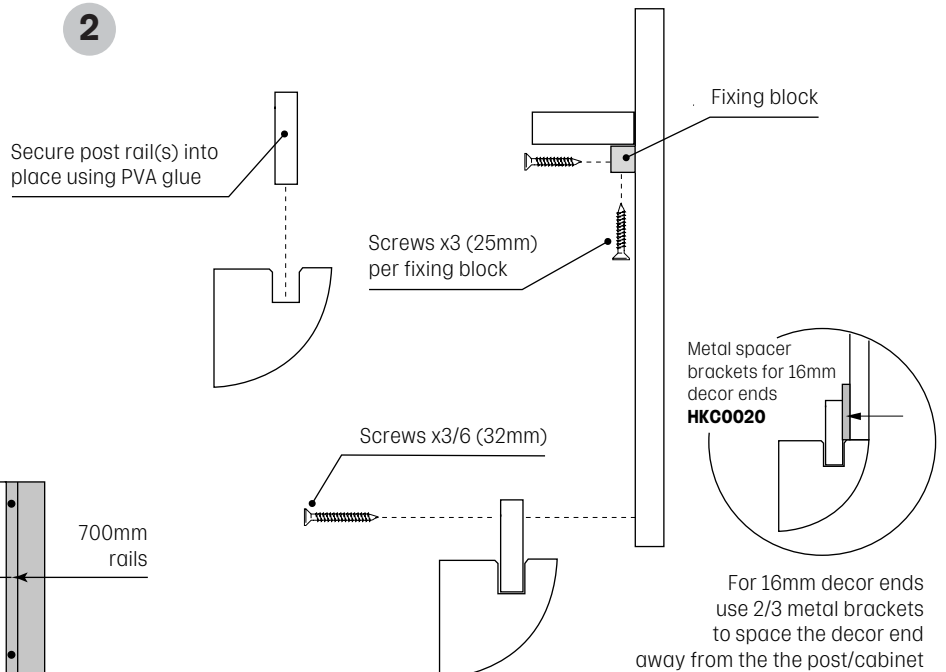
Assembly

- 1** x3 Rails supplied (700mm in length) for both post rail and back rail. Cut and use rails appropriate to the height of your post/decor end (see diagrams below).

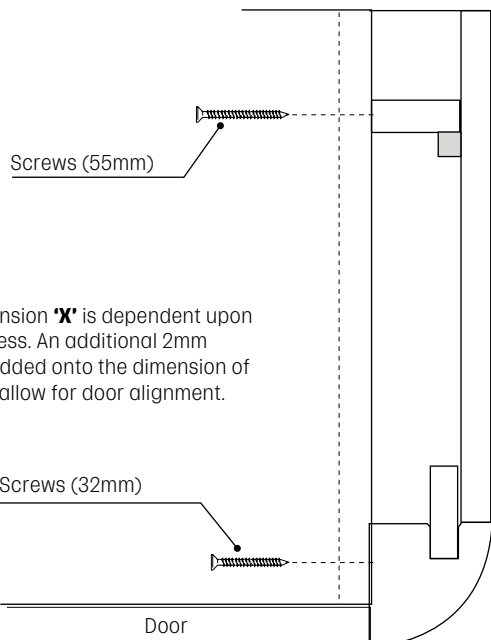
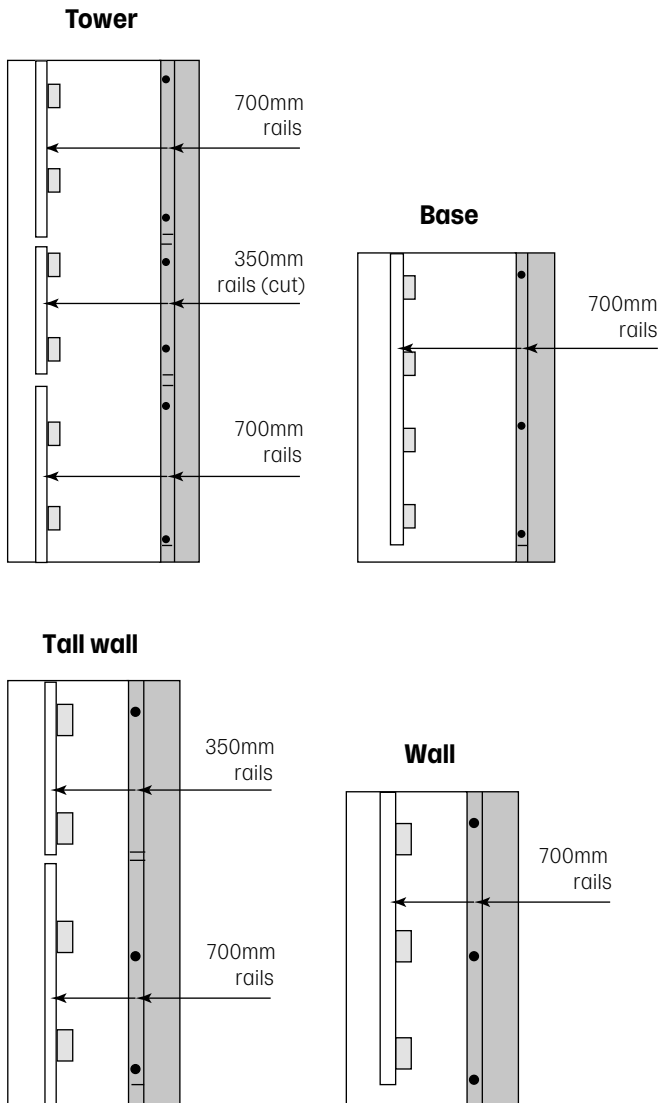
Measure and cut post and decor end dependent on cabinet application, making sure allowance is made for any scribing to the wall requirements.

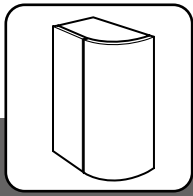
IMPORTANT: To reduce the risk of damage to cut edges due to moisture ingress (where they are exposed to moisture) all raw edges must be sealed using a suitable moisture resistant sealant, such as waterproof varnish or silicone.

2



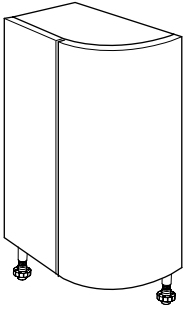
3





Section 8 - Curved units

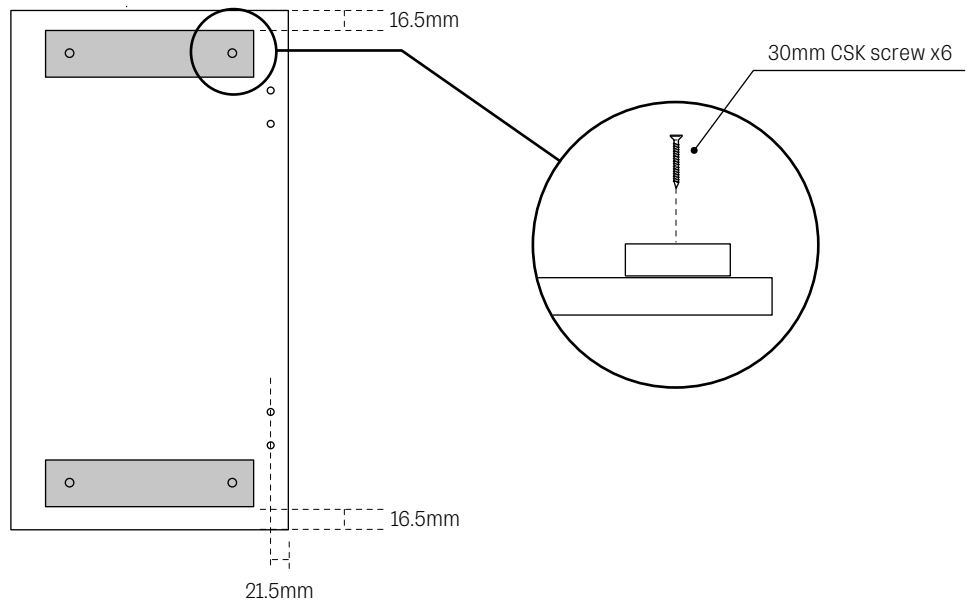
Curved base cabinet



Assembly

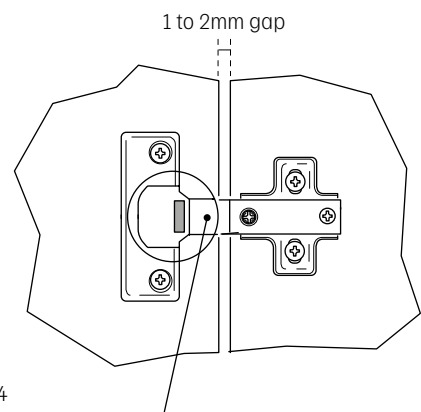
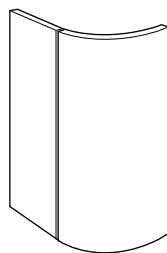
For fixing the legs to your cabinet, see [page 22-23](#).

- 1** Fit battens to the decor panel.

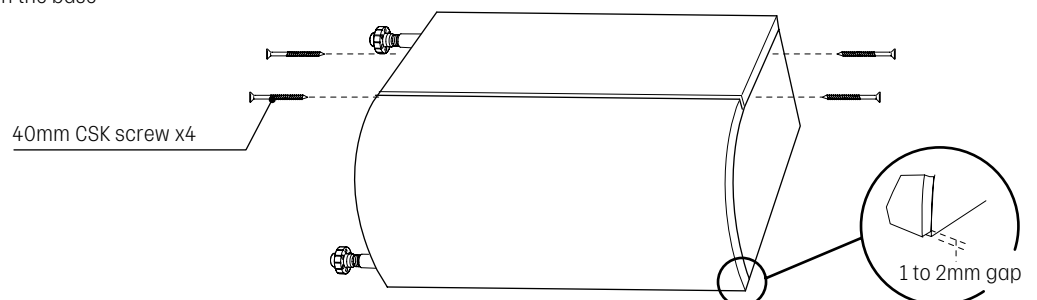


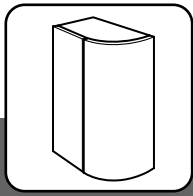
- 2** **Curved base soft-close hinge pack required**

Fit the hinge and plate to the door and decor panel.



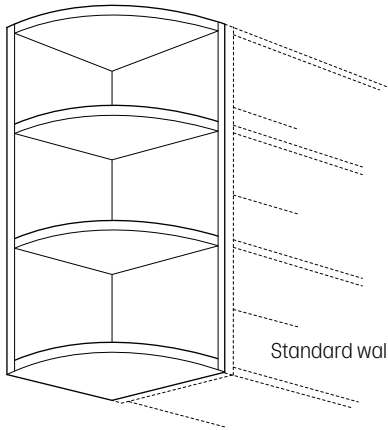
- 3** With the base cabinet laid flat, secure the decor panel and door using screws through the base and top shelf and into the battens.



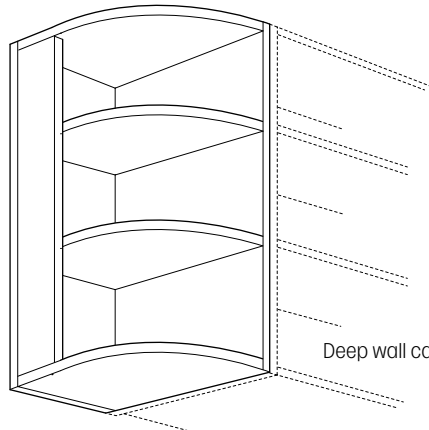


Section 8 - Curved units

Curved wall cabinet



Standard wall cabinet

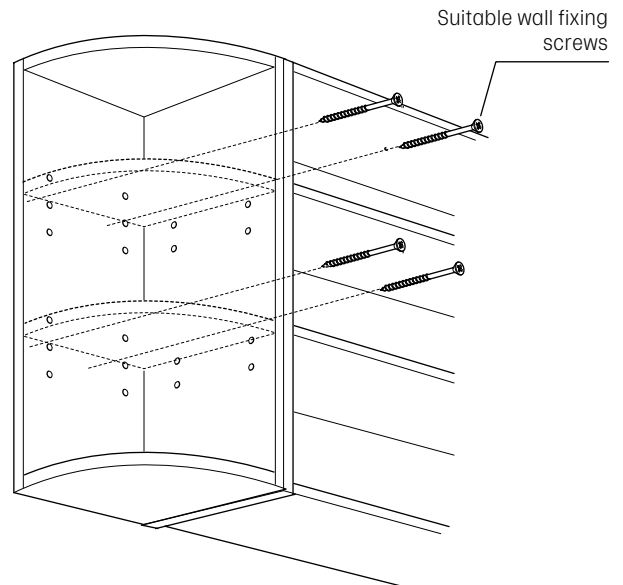
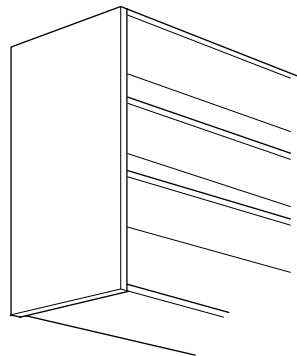
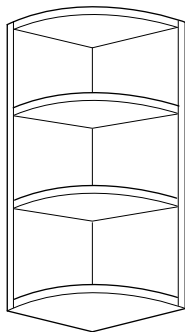


Deep wall cabinet

NOTE: For curved deep wall cabinets, use the cranked hinges supplied with cabinet

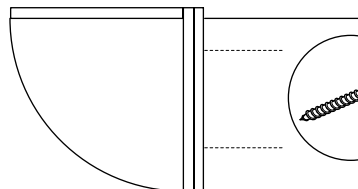
Installation

- 1 Position the curved cabinet to the wall and secure through the back panel using suitable wall fixing screws.
NOTE: Wall fixings can be hidden behind the shelf positions as required. Ensure the cabinet is flush with the adjoining unit side and front edges.

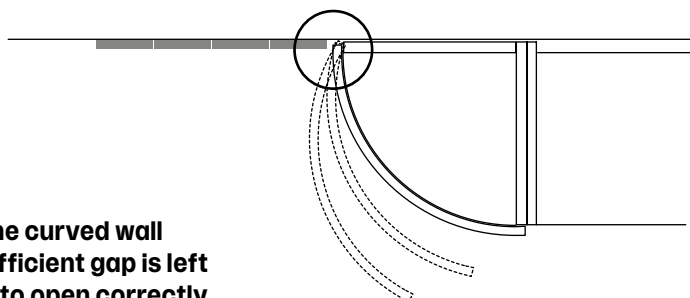


2

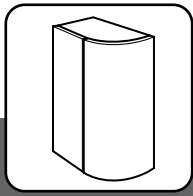
Secure through the adjoining unit and into the curved wall.



30mm CSK screw

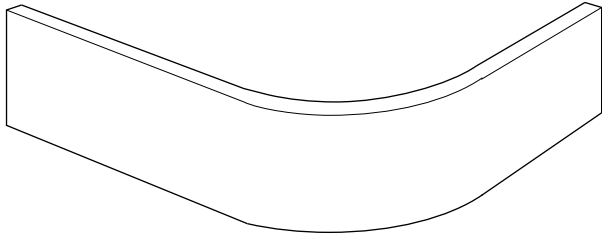


IMPORTANT:
When tiling up to the curved wall cabinet, ensure sufficient gap is left to enable the door to open correctly.



Section 8 - Curved units

Curved plinth - Joining



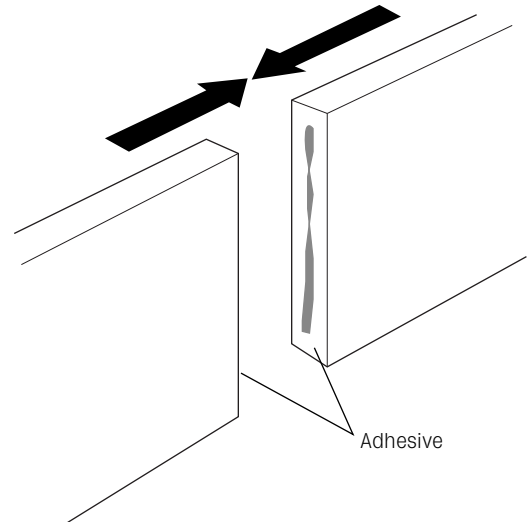
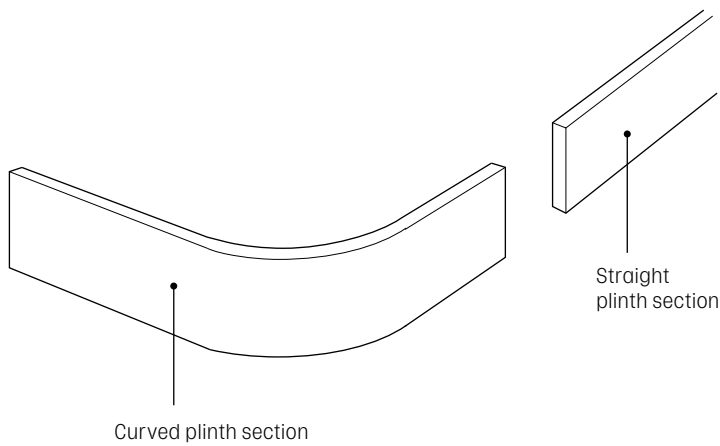
Corner post cap and cornice/pelmet fixed in the same way.

Assembly

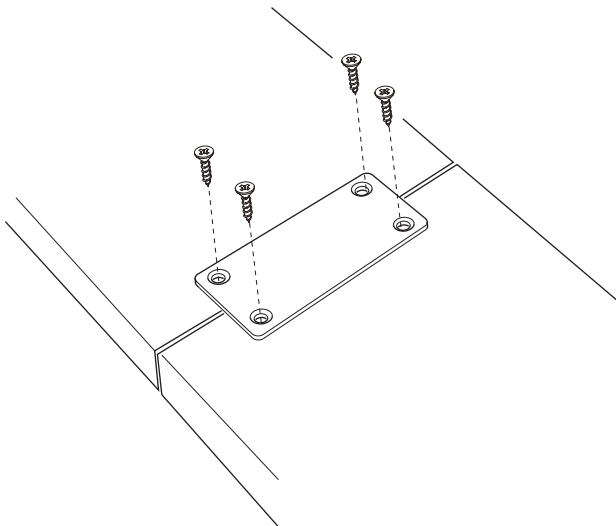
Align the curved plinth section to the side of the curved cabinet base and scribe the end to the wall as required. **Mark and fit plinth clips to the back of the plinth sections as shown.**

IMPORTANT: To reduce the risk of damage to cut edges due to moisture ingress (where they are exposed to moisture) all raw edges must be sealed using a suitable moisture resistant sealant, such as waterproof varnish or silicone.

- 1 Apply a two part adhesive to the adjoining ends of the plinth sections and fit together.
NOTE: Make sure sections are flush.



- 2 Fit a metal plate to the back of the plinths to secure the joint.



- 3 Position the curved plinth assembly to the cabinet run and clip onto the cabinet leg sections.

