

Section 4 - Kitchen installation - Hinges

Upgrade soft-close hinges

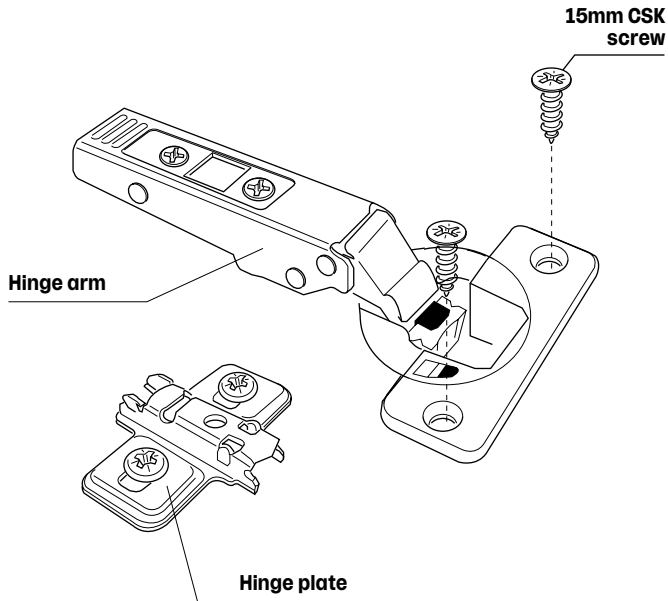
Hinge assembly

Fit hinge arms to doors and plates to cabinets using the screws supplied.

95°/110° Hinge - Standard

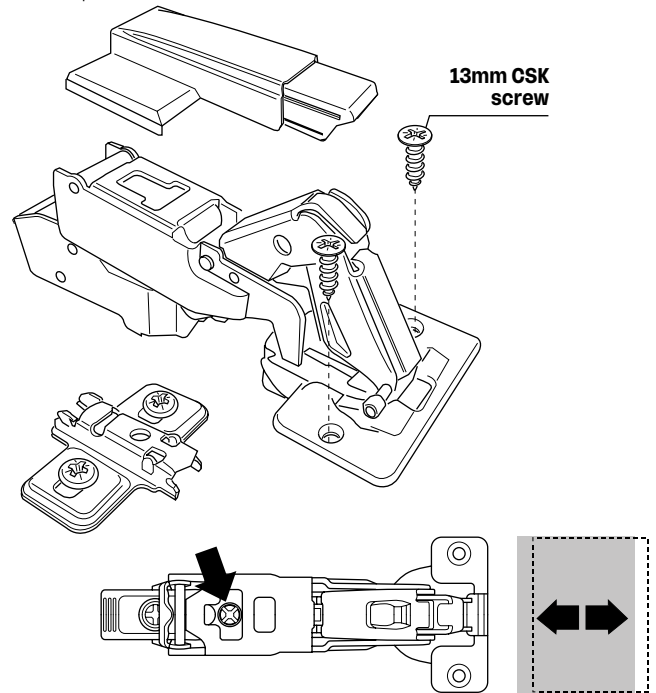
Integrated soft-close hinge.

NOTE: 95° Hinge used on Integrated Handle ranges.

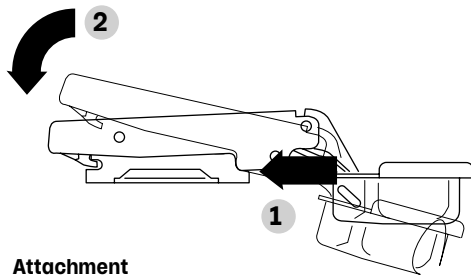


170° Hinge - Standard

Soft close damper.

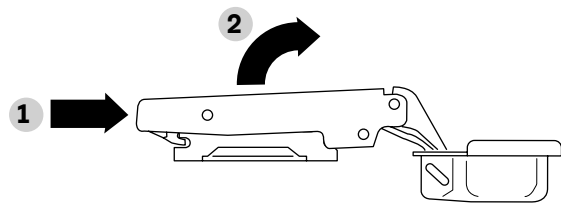


Installation and adjustment



Attachment

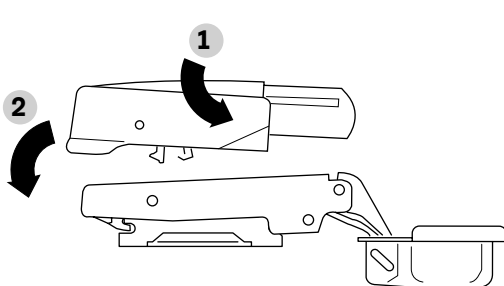
Locate at the front and push down at the back, clipping into place.



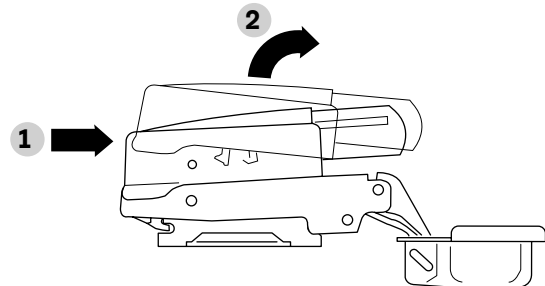
Removal

Push the clip at the back.

Damper installation



Similar installation for all dampers.



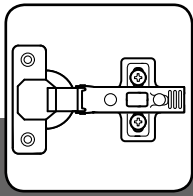
Removal

1. Push forward and pull up simultaneously.

NOTE: Door adjustment should be carried out before this stage.

Attachment

1. Push forward and down at the front.
2. Push down on the back.



Section 4 - Kitchen installation - Hinges

Soft-close de-activation switch

NOTE: Some doors may not require two activated soft-close hinges due to their size and weight. If the door is not closing correctly, please de-activate one of the soft closing switches on one of the hinges to improve the soft close action.

Below is a simple guide on where the de-activation switch should be active.

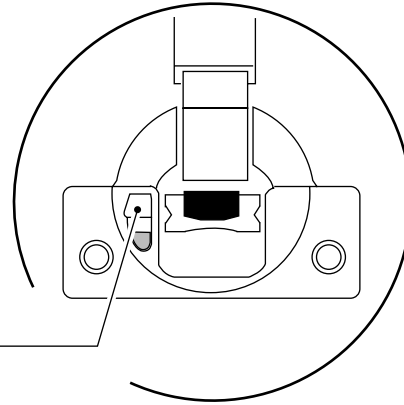
One soft close hinge activated (recommended).



200*

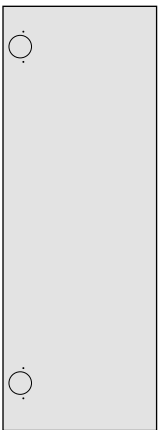


300**

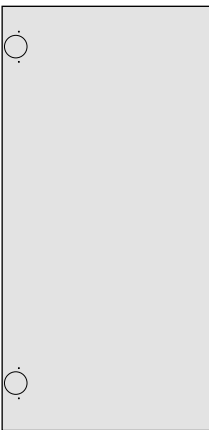


Soft-close activation/
de-activation switch.

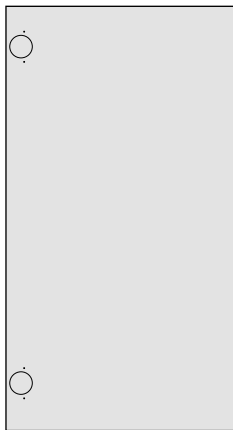
Two soft-close hinges activated (recommended).



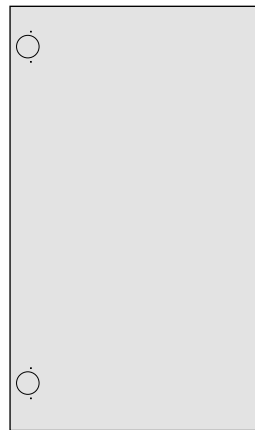
300



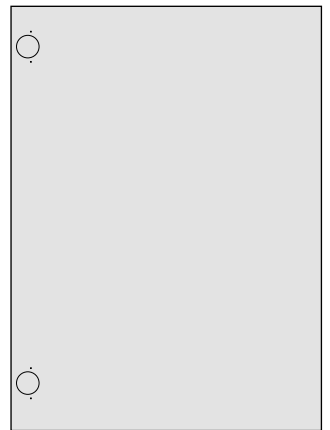
400



450



500



600

*Where applicable.

**On Greenwich ranges only.

The information above is applicable to all standard height, full-height, extra tall and hob wall doors.

NOTE: This information is not applicable to half-height doors and integrated microwave wall units.