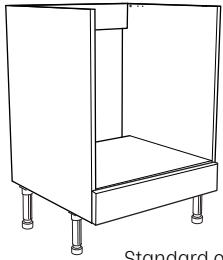


# Section 1 - Kitchen installation - Base cabinets

## Built-under oven housing



Standard option shown

**NOTES:**

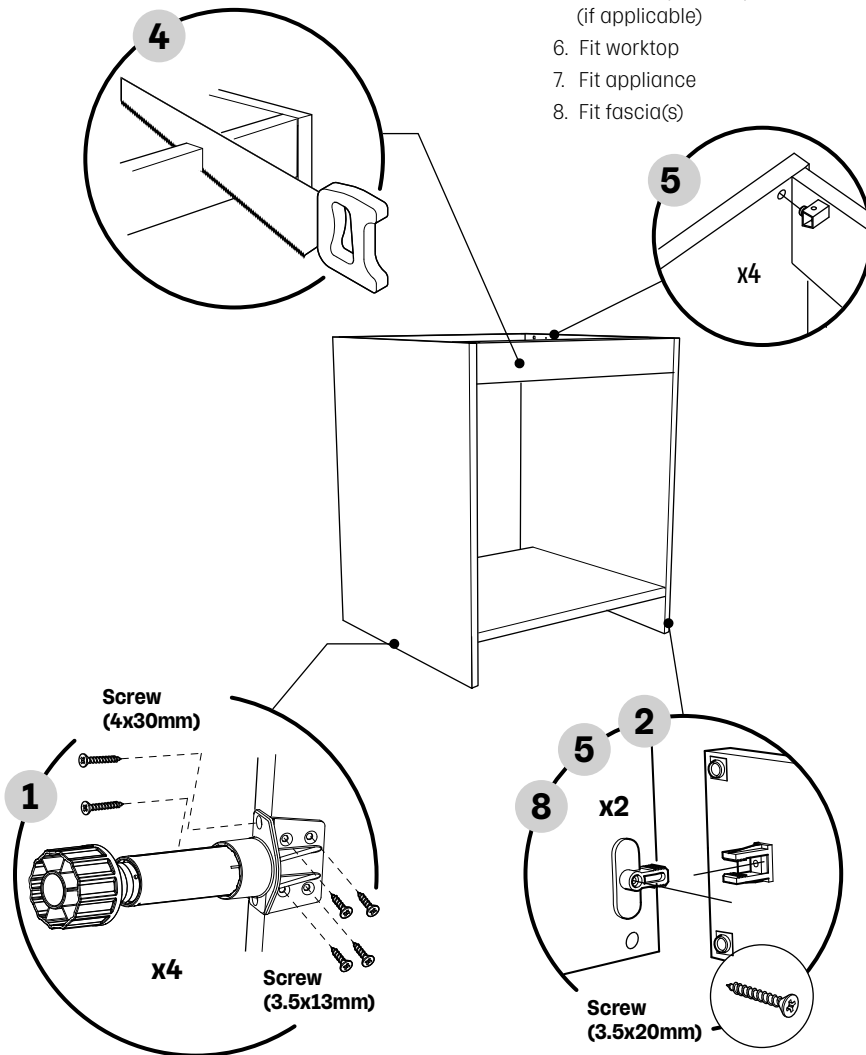
THIS GIVES INFORMATION FOR STANDARD AND LOW BUILT UNDER OVEN HOUSINGS  
 When fitting an oven below a hob, please consider the minimum required clearance for ventilation between the two appliances.  
 Check oven and hob matrix before fitting.

### Drawer Option

Follow the leaflet supplied with the drawer box for the standard BUOH with drawer combination

### Assembly

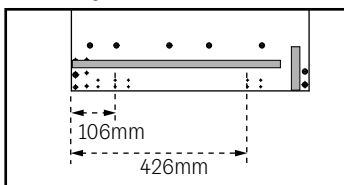
1. Fit legs
2. Fit bottom fascia brackets
3. Install cabinet
4. Remove transit rail
5. Fit worktop and top fascia brackets (if applicable)
6. Fit worktop
7. Fit appliance
8. Fit fascia(s)



**Leg Positions**

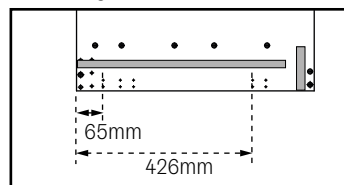
Leg Position (Low & std option with no drawer)

**Note: These dimensions are also applicable when using the BUOH drawer ACK1259**



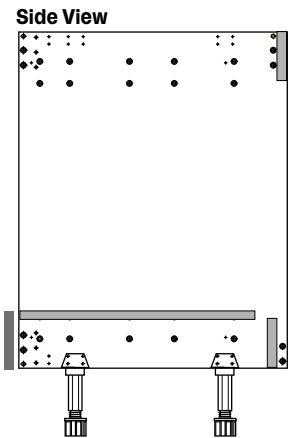
Leg Position (Low & std option at the end of a run)

**Note: These dimensions are also applicable when using a BUOH drawer ACK1258**

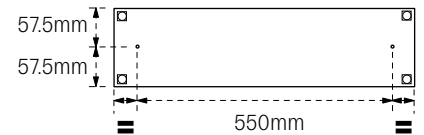


See leaflet provided with BUOH drawer for installation applications.

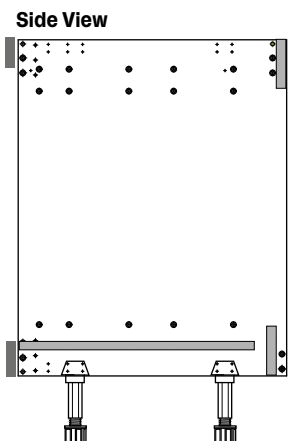
### Standard Option



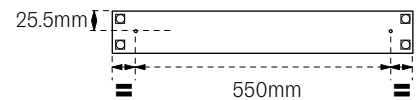
**Fascia (115mm) - Bracket fixing positions**



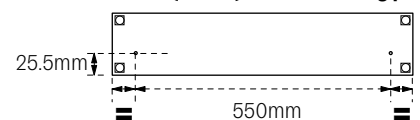
### Low Option

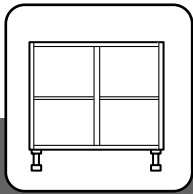


**Top Fascia (45mm) - Bracket fixing positions**



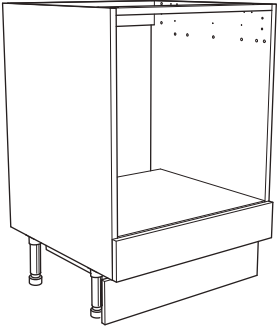
**Bottom Fascia (67mm) - Bracket fixing positions**





## Section 1 - Kitchen installation - Base cabinets

# Built-under oven housing drawer



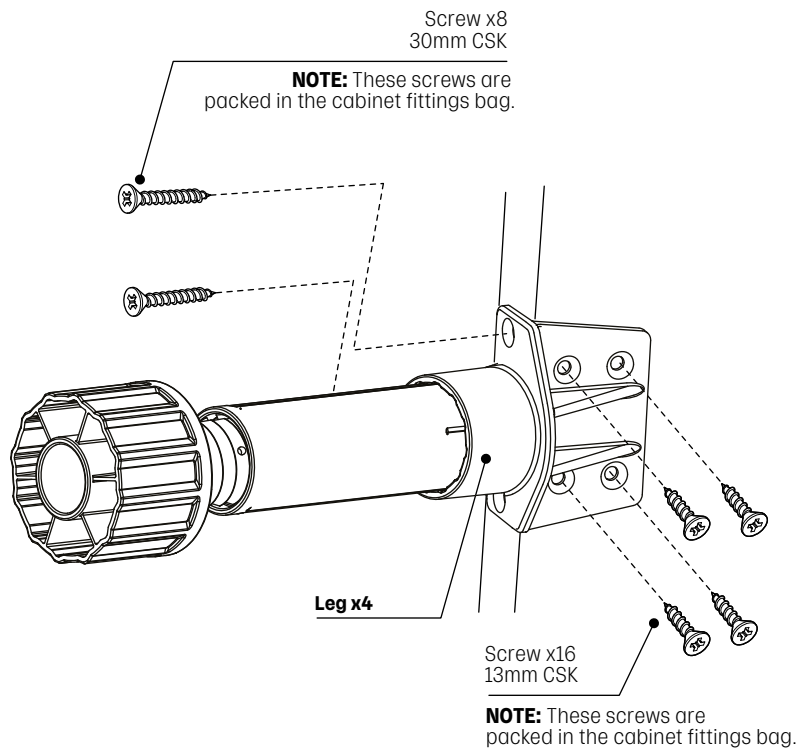
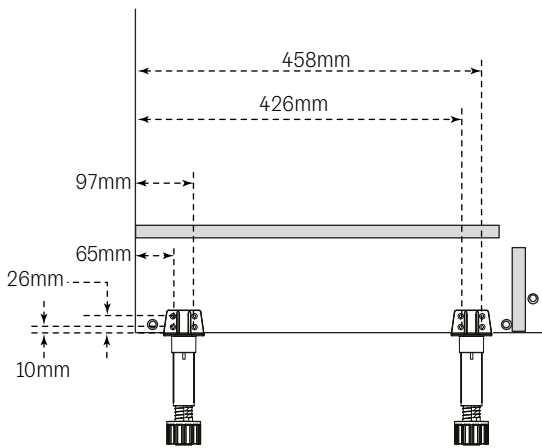
### IMPORTANT NOTES:

Please ensure there is sufficient clearance for the drawer to open once flooring has been installed

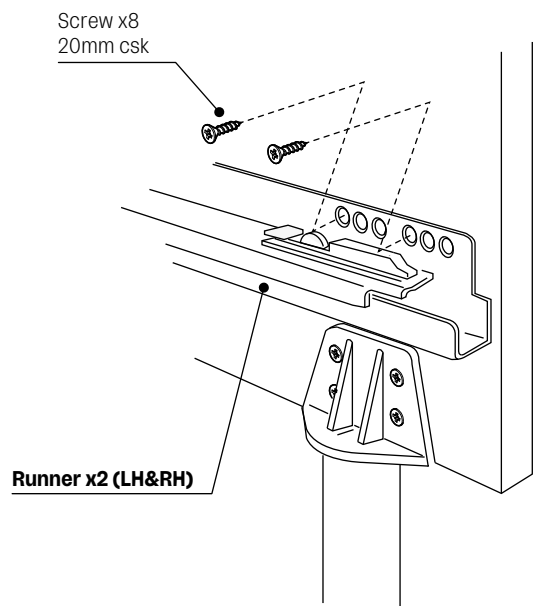
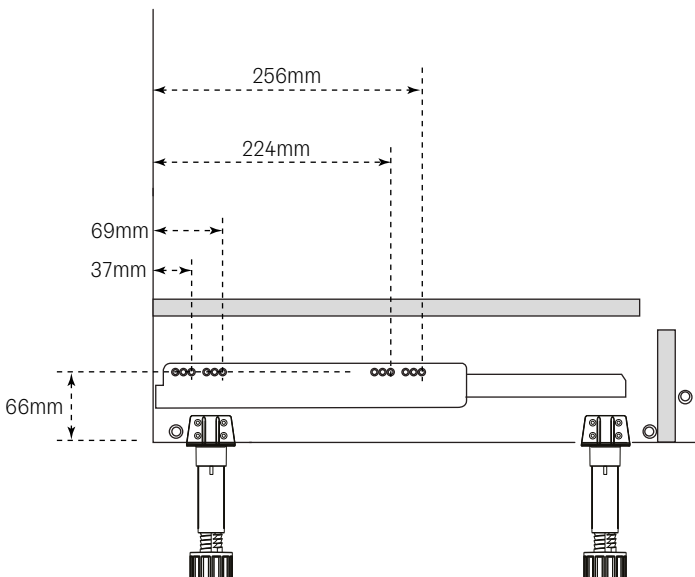
This drawer is only compatible with the standard option BUOH (see page 39).

## Assembly

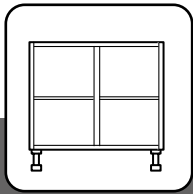
- 1 Fit legs to the inner sides of the cabinet.



- 2 Fit runners to the inner sides of the cabinet.



Fit cabinet into place and adjust legs as required

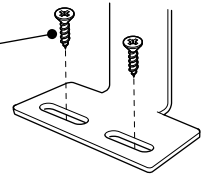
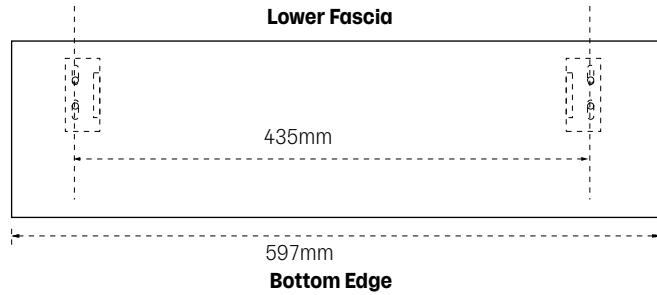
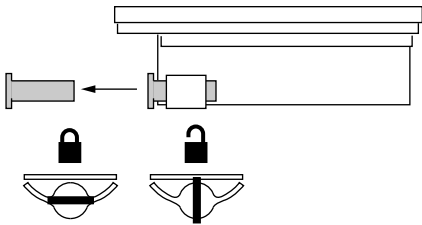


## Section 1 - Kitchen installation - Base cabinets

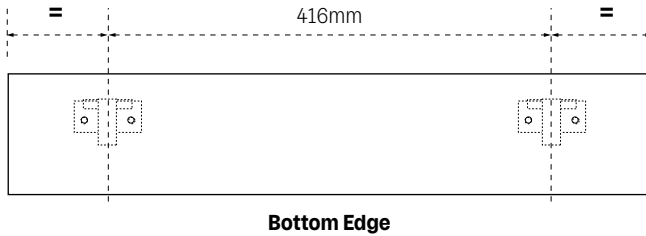
# Built-under oven housing drawer

- 3** Unlock and remove the brackets from the drawer.  
Cut plinth section to length. Fit brackets to lower fascia (plinth) section.

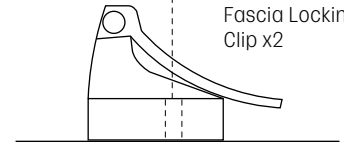
Screw x4  
20mm csk



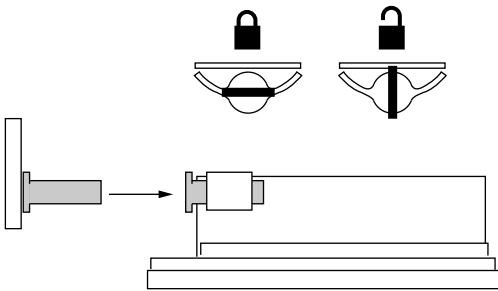
- 4** Fit clips to upper BUOH fascia (115mm).



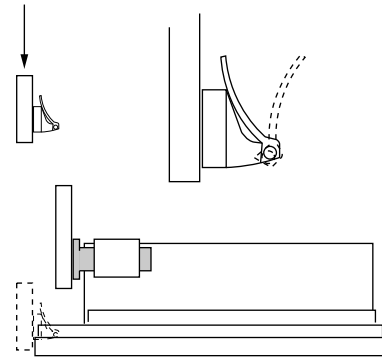
Fascia Locking  
Clip x2



- 5** Fit the fascias to the drawer box, locking into position.

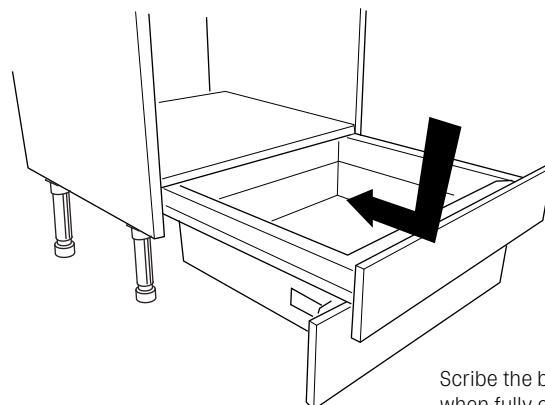


**Lower Fascia**  
Lock into place

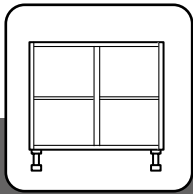


**Upper Fascia**  
Lock into place

- 6** Fully extend runners, then fit the drawer onto the runners.  
Push the drawer back into the cabinet.

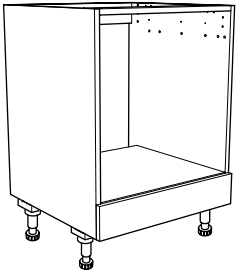


Scribe the bottom edge of the plinth front  
when fully extended if required.



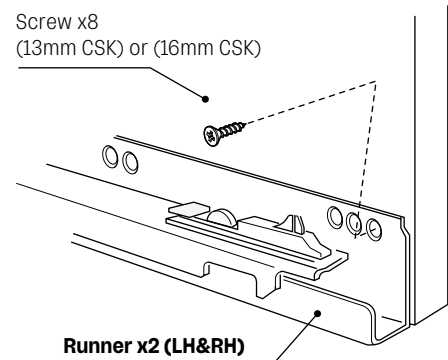
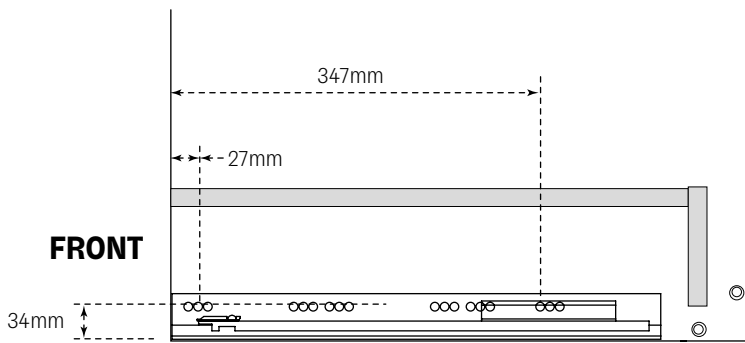
# Section 1 - Kitchen installation - Base cabinets

## BU0H - Leg conversion kit



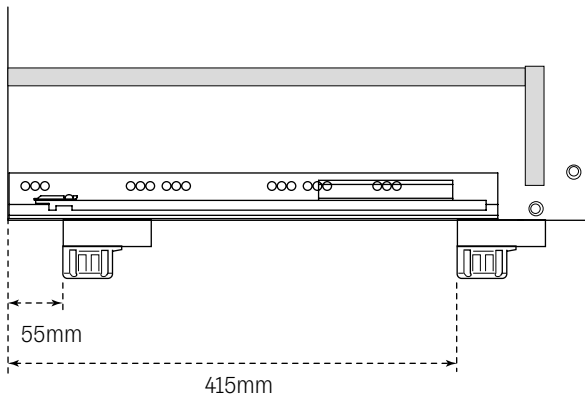
### Runner fixing

Measure and mark runner fixing positions. Secure runner into place using the screws provided.

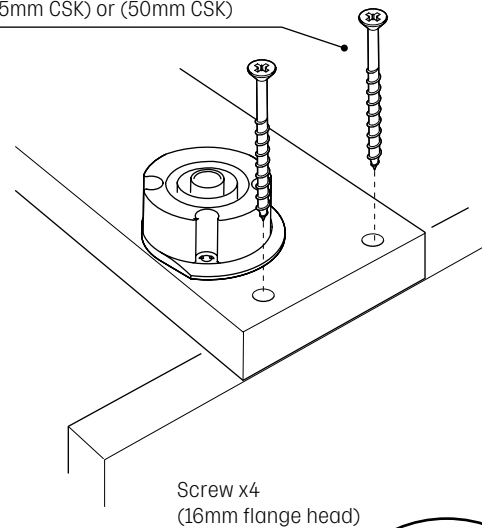


### Leg rail assembly

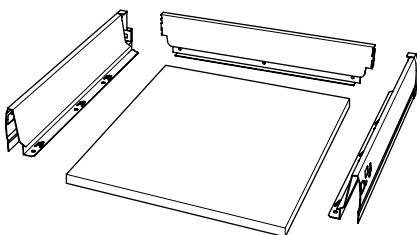
- 1 Fit the rails to the underside of the cabinets using the dimensions below as a guide.



Screw x8  
(45mm CSK) or (50mm CSK)



- 2 Assemble the drawer following the instructions, see **pages 76-99**.



- 3 Mark and fit brackets to the back of drawer front. Secure the front to the drawer box then fit the drawer to the runners.

