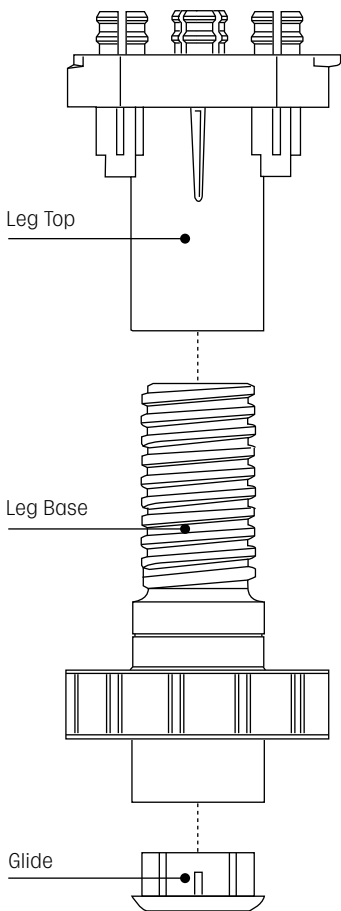
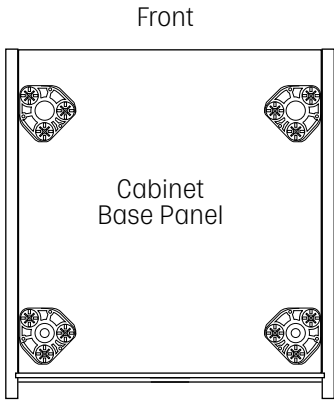


Section 1 - Kitchen installation - Base cabinets

Pre-build - Cabinet leg

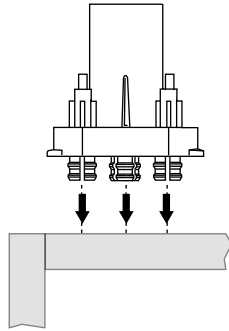
Alternative leg style shown on page 24.

Leg Locations

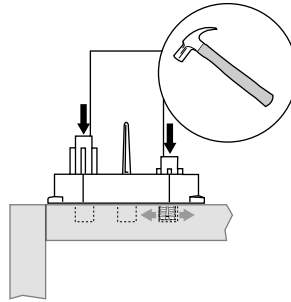


- Leg Pack:**
 x4 Leg Top
 x4 Leg Base
 x4 Glide
 x2 Cover Cap
 x2 Plinth Clips

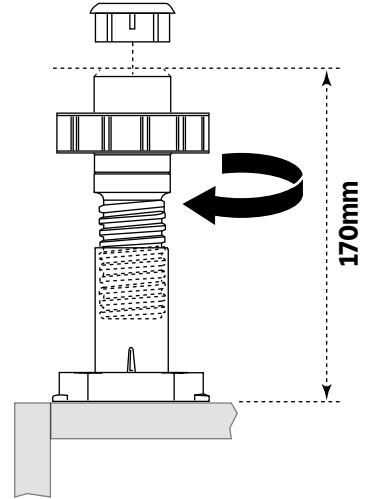
1 Push top into cabinet base.



2 Knock in the 3 dowels to secure. **NOTE:** Dowels should be flush with the surface once secure.

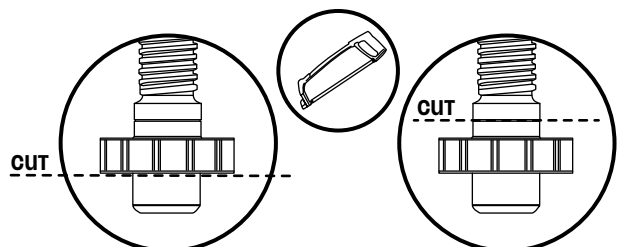
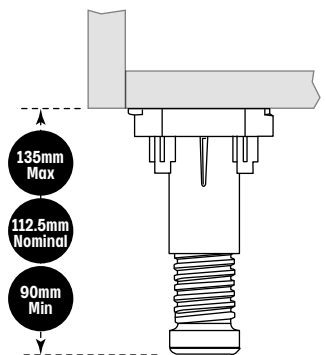
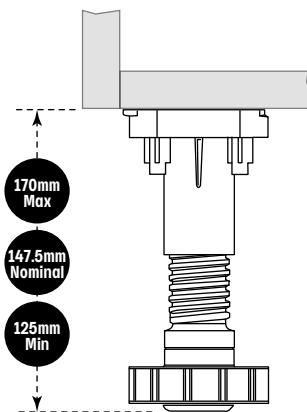
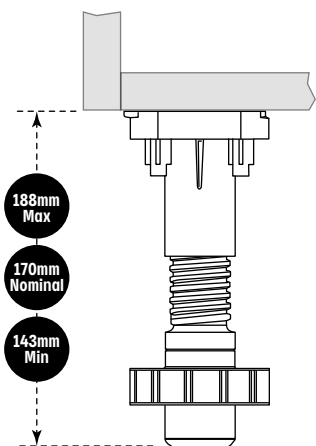
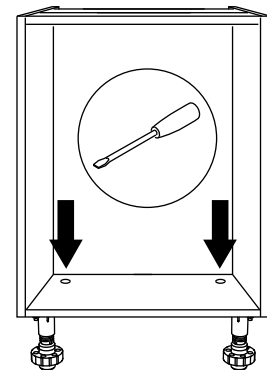
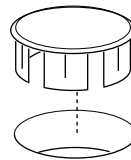


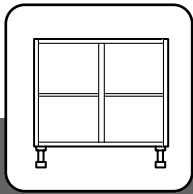
3 Screw in leg base and adjust. **NOTE:** Leg has a nominal height mark at 170mm and can be adjusted +/- 22.5mm.



4 Adjustment of the cabinet back legs can be made from inside the cabinet.

Fit cover caps to the cabinet holes once adjustment is complete.



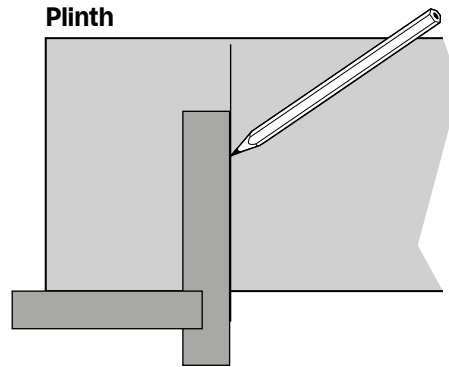


Section 1 - Kitchen installation - Base cabinets

Pre-build - Cabinet leg

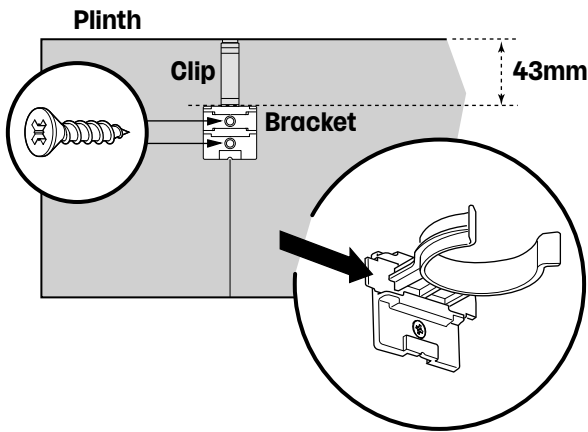
Plinth clip

Lay the plinth face down with the bottom edge against the run of cabinet legs. Mark the positions of the leg onto the back of the plinth using a pencil.

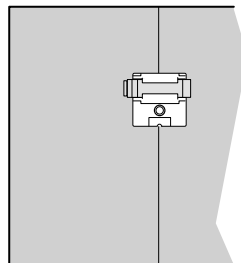


Position the plinth clip bracket to the plinth, aligning the notch with the pencil mark and secure using the screws provided.

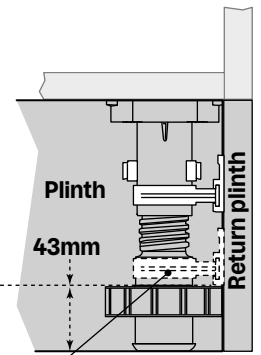
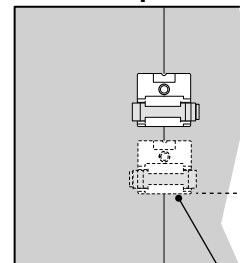
NOTE: Use the plinth clip to space the bracket from the top edge. When fitting a return plinth turn the bracket 180 degrees so the clip, when fitted, is towards the bottom of the panel and clips do not clash when fitting to the same leg. Fit the clip into the bracket, slotting into place.



Turn plinth bracket 180 degrees so clip can be fitted to the bottom of the bracket



Return plinth

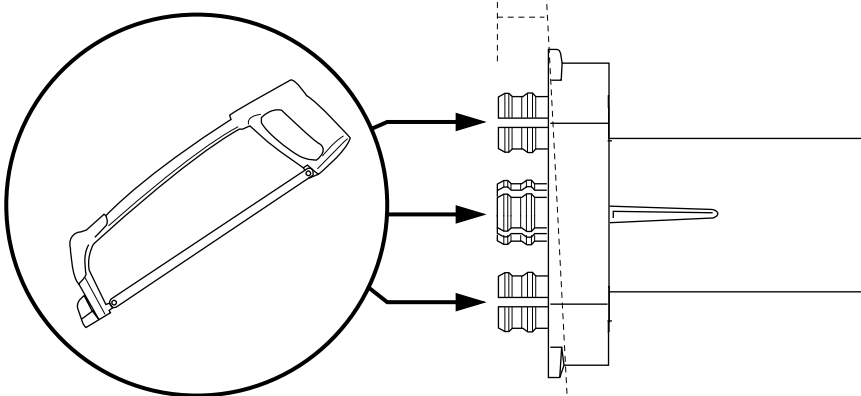


NOTE: Additional plinth clip/bracket can be positioned at the bottom of the leg, (43mm from bottom edge), if required in return application

Fitting legs to wall cabinets

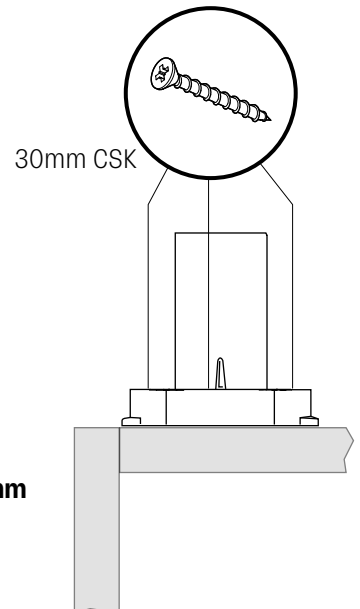
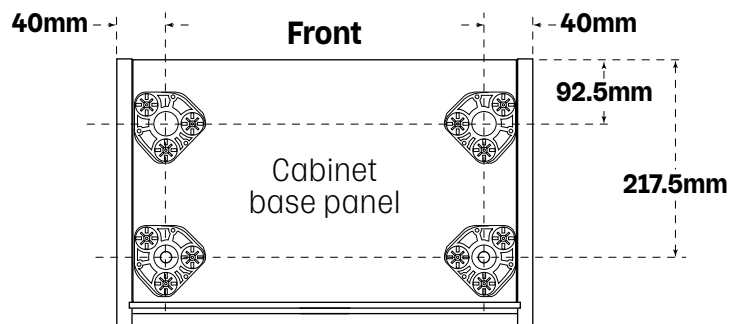
When using the leg in a shallow base unit application (ie. fitting to a wall cabinet), the plastic location dowels will require removing.

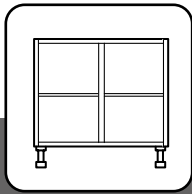
- 1 Remove the plastic location dowels.



- 2 Position the legs in line with the other leg positions in your cabinet run.

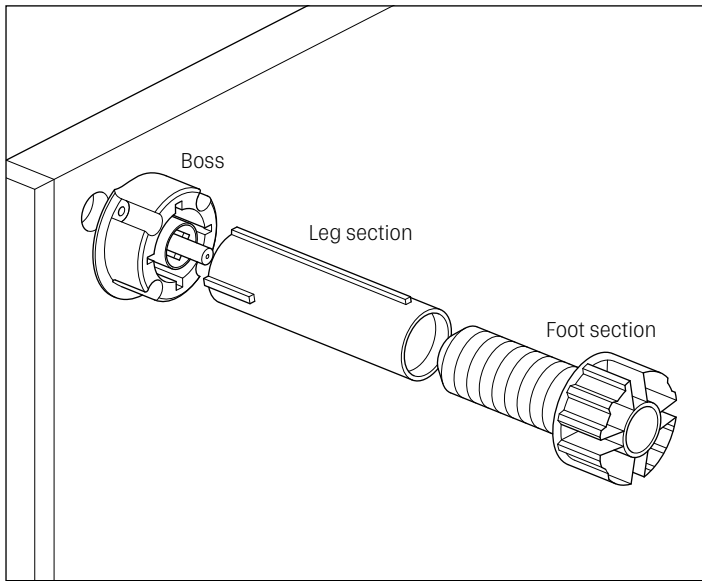
Pilot drill and secure through the three fixing holes in the leg top with screws.





Section 1 - Kitchen installation - Base cabinets

Pre-build - Alternative cabinet leg



Cabinet leg

Fit the leg boss to the cabinet aligning the plastic lug with the hole.

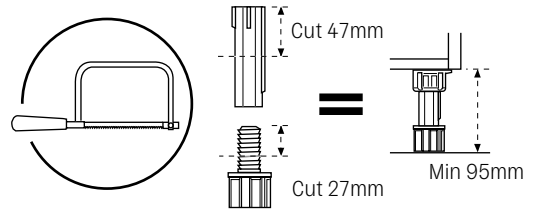
NOTE: Make sure the flange of the leg boss overlaps the cabinet side panel.

Firmly tap the centre plastic pin in the leg boss to expand the plastic lug and secure the leg boss.

NOTE: Screws can be used, however are not required and therefore not supplied.

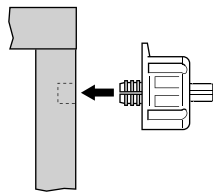
Fit the leg section, pushing into the leg boss, then screw on the foot section.

NOTE: Legs can be cut down using a hacksaw, if required.



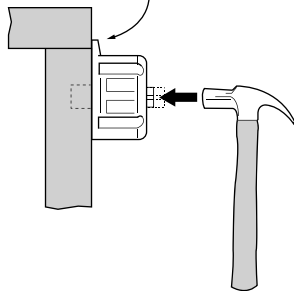
1

Push into base



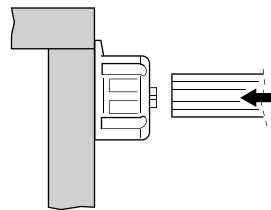
2

Knock in dowel.
Ensure the lip of the leg overlaps
the base and side panel joint.



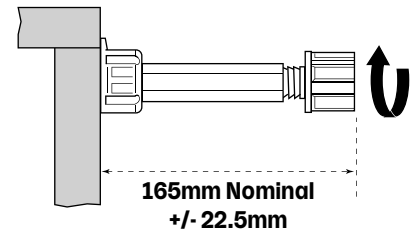
3

Push in leg section



4

Screw in foot section



Tower pull-out 5th leg fixing

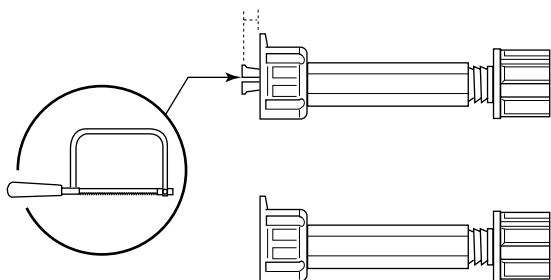
For extra stability and support fit a 5th leg to the front central position of the cabinet base panel.

Use the information below to secure the leg.

NOTE: We recommend the additional leg is secured to the cabinet before the pull-out accessory is fitted.

1

Remove the plastic location dowel.



2

Position the leg centrally and secure in line
with the other leg position.

