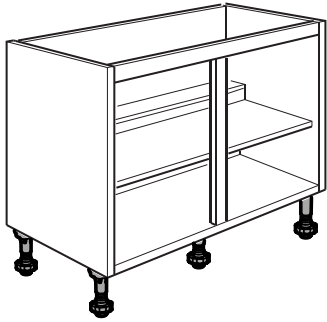


# Section 1 - Kitchen installation - Base cabinets

## Sink base unit



### IMPORTANT NOTES:

A space saver plumbing kit and flexible connectors for taps must be used. Any access holes for pipework should be slotted to ensure panels can be removed with minimum disturbance to plumbing. Fittings supplied but not detailed in these instructions are for installation purposes.

Assembly shown is for a 1000 sink base.

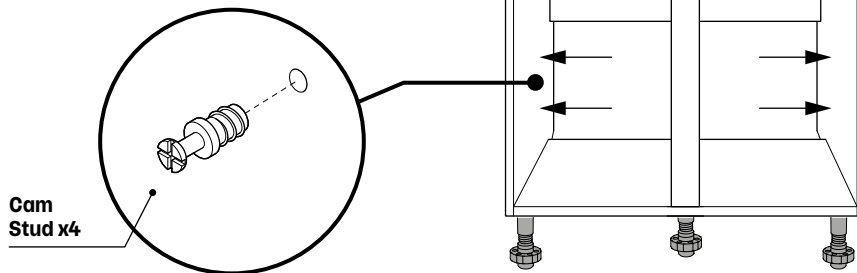
**This leaflet is a guide for installation and plumbing/panel cutting, details may vary depending on the sink and positioning of pipework.**

### PRE-BUILD

1. Remove the transit rail from the top of the cabinet (800 and 1000 sink base only)
2. Remove the loose panels from the cabinet (shelf, lower back panel and rail)
3. Fit the legs to the cabinet following the kitchen installation manual (800 and 1000 sink base have 5 legs)

## Assembly

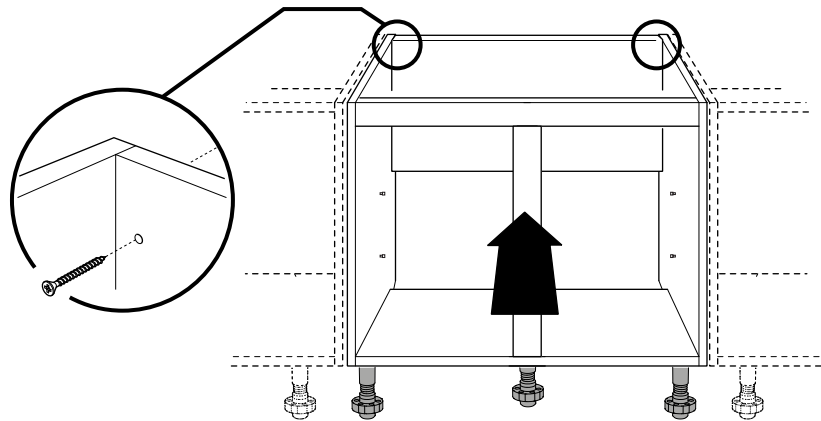
- 1** Fit the cam studs to the cabinet side panels.



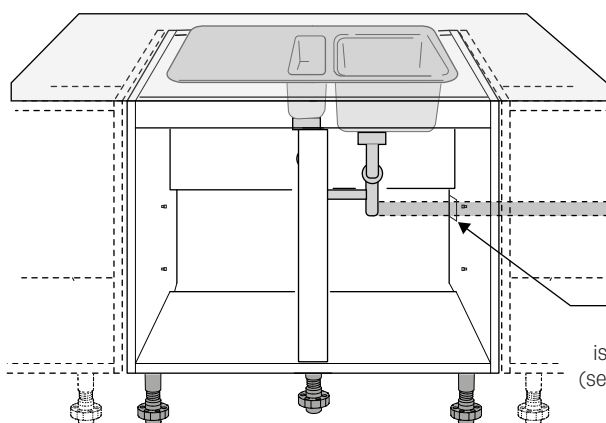
- 2** Position the cabinet, level and secure to the wall in the positions shown. Connect to any adjacent cabinets.

### IMPORTANT:

Ensure the middle leg is correctly adjusted to support the base panel.

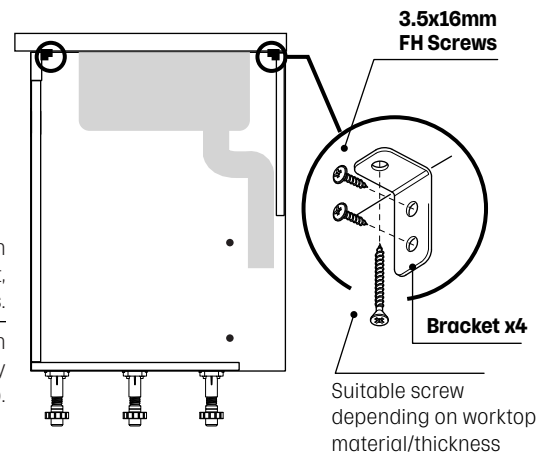


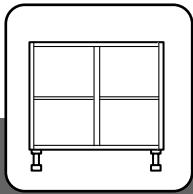
- 3** Fit the worktop and install sink and plumbing kit following the instructions supplied (see important notes above). Secure the worktop using the metal brackets and screws.



If pipework runs through the side of the cabinet, cut a slot for access.

**NOTE:** Plumbing kit shown is for pictorial purposes only (see important notes section).

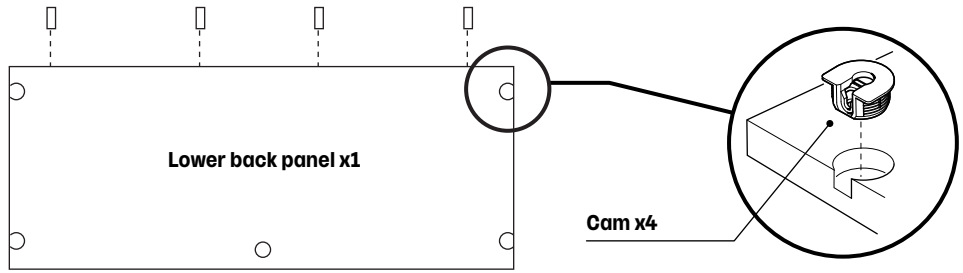
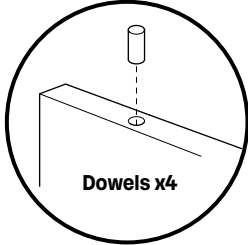




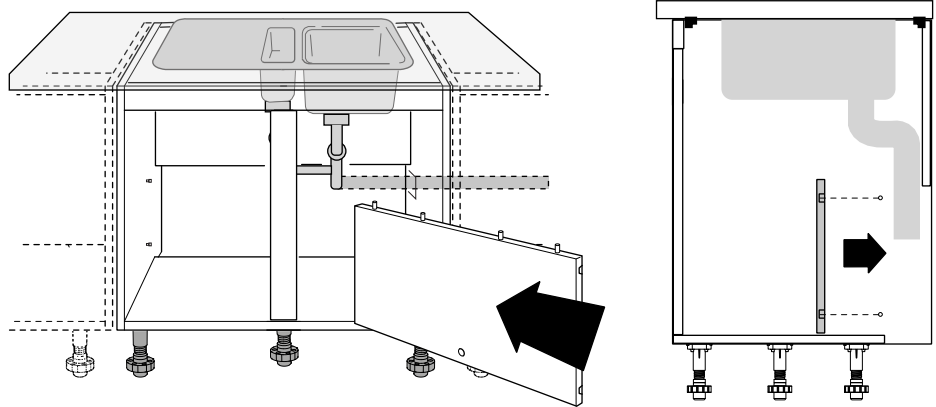
# Section 1 - Kitchen installation - Base cabinets

## Sink base unit

- 4** Fit the cams and dowels to the lower back panel.

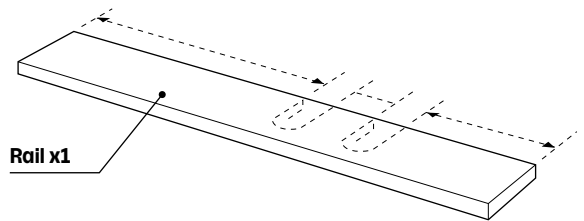


- 5** Fit the lower back panel locating the cams onto the studs.

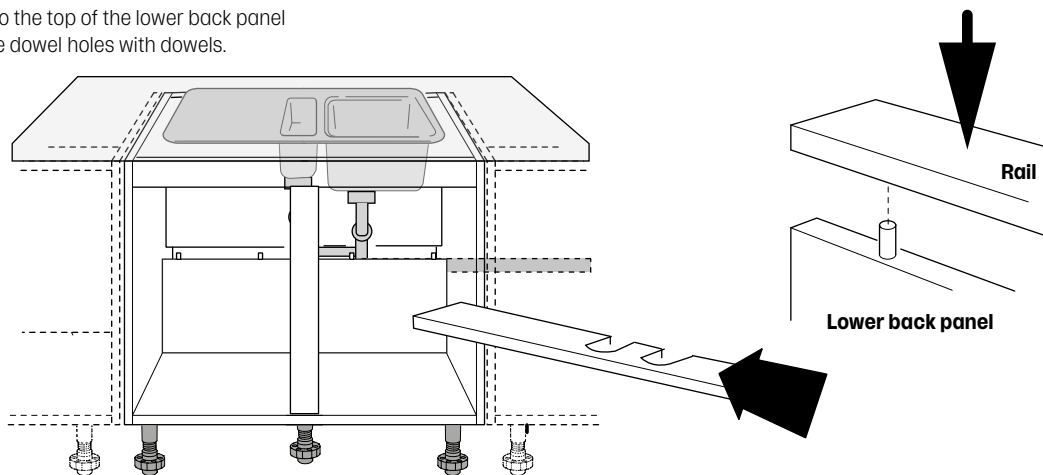


- 6** Measure for the dimensions of the pipework from each side of the cabinet. Mark and cut the slotted holes in the rail.

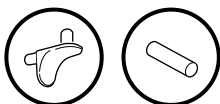
**Important:** Any access holes for pipework must be slotted to ensure panel can be removed with minimum disturbance to plumbing



- 7** Fit the rail to the top of the lower back panel aligning the dowel holes with dowels.



- 8** Fit the shelf pegs/stud then position the mid shelf into the cabinet.



**Shelf Peg x4 (cabinet side panel)**  
(with retainer pin)  
**Shelf Stud x1 (front upright)**

