

Section 4 - Kitchen installation - Hinges

Magnetic catch - Push to open

IMPORTANT: When fitting push to open, the hinges and hinge plates supplied with the cabinet will need to be replaced with the 110° unsprung hinges and hinge plates supplied as part of the magnetic catch pack. These should be fitted to the cabinet in the positions of the existing hinges and hinge plates.

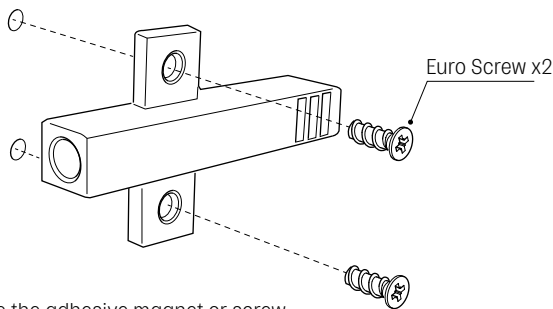
170° unsprung hinges are also available for corner cabinet applications as part of pack HYH8436.

Adapter plate

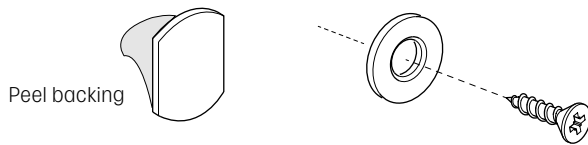
- 1** Fit the adapter plate to the hinge plate positions on the opposite side of the hinged door. Use euro screws to secure.

NOTE: If your cabinet does not have hinge plate holes drilled, pilot drill and use two 13mm CSK screws. Adapter should be fitted flush with the front edge of the cabinet and 70mm up from the bottom of the side panel.

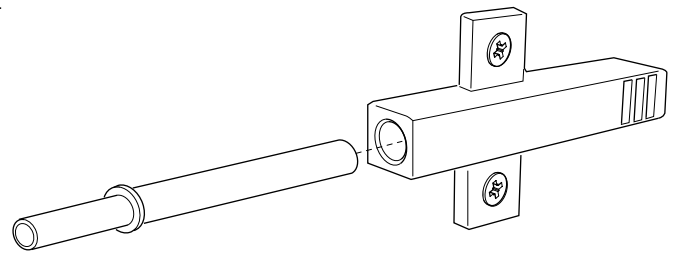
NOTE: In a larder tower application, the push to open catch should be positioned to a hinge hole location towards the middle of the unit.



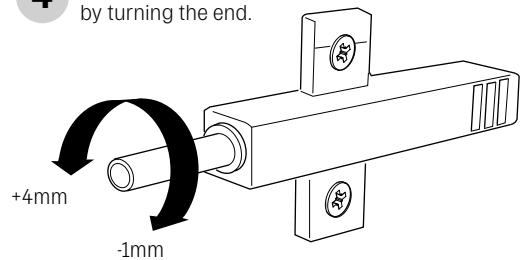
- 3** Use the adhesive magnet or screw on magnet, positioning to the back of the door in line with the piston.



- 2** Fit the piston to the adapter plate pushing into place.

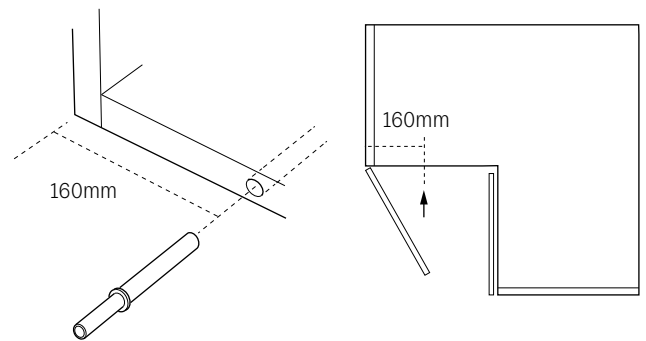


- 4** Adjust the position of the piston by turning the end.



631/931 cabinet application

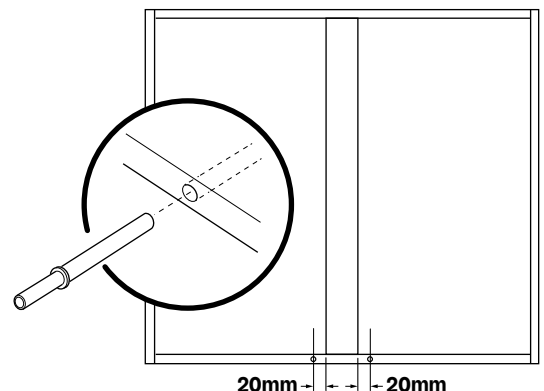
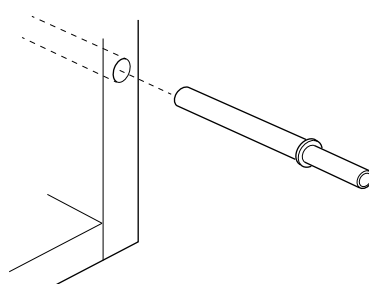
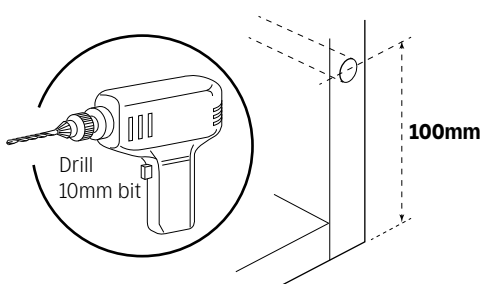
When using the push to open on a 631/931 cabinet application, the piston should be fitted into the bottom shelf front edge, 160mm in from the cabinet side. This is to avoid any clash with the adjoining door.



Side panel/base edge application

- 1** Carefully drill the front edge of the cabinet.
NOTE: Drill hole should be a diameter of 10mm x 76mm in depth.

- 2** Fit the piston into the hole.
Fit the magnet to the door as shown above.



For wall cabinets with a centre post, place the piston into the front edge of the base panel as shown.