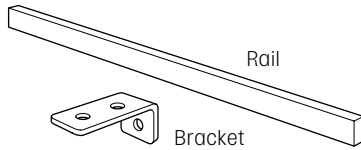


Section 9 - Inclusive kitchens

Base cabinet wall fixing

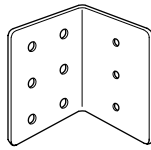
HYH2200



Rail

Bracket

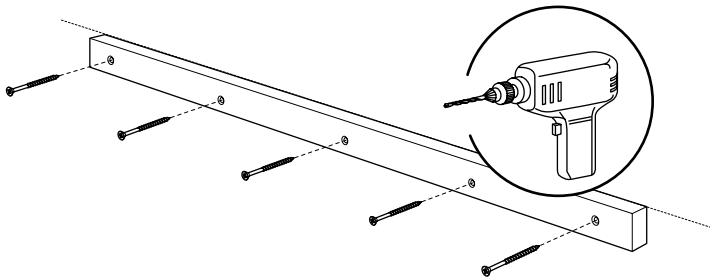
HKE0050



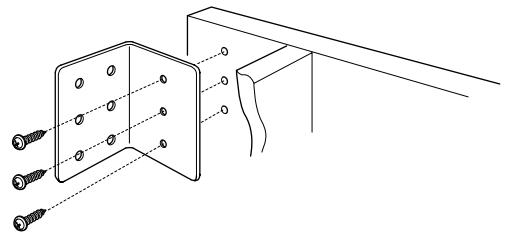
Assembly

*Use this leaflet for fixing the support rail (sales code - HYH2200) when fitting the inclusive base cabinets to the wall. This rail replaces the current rail (HYH2298) shown in the inclusive kitchen installation manual.

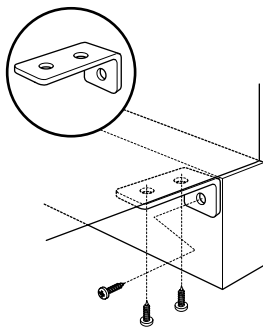
- 1** *Cut the rail to the appropriate length. Fix rail using suitable wall fixing screws at regular intervals.



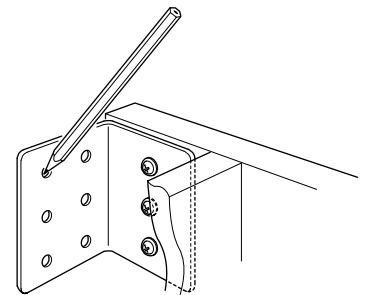
- 2** Fit the brackets to the cabinet each side using the screws to secure.



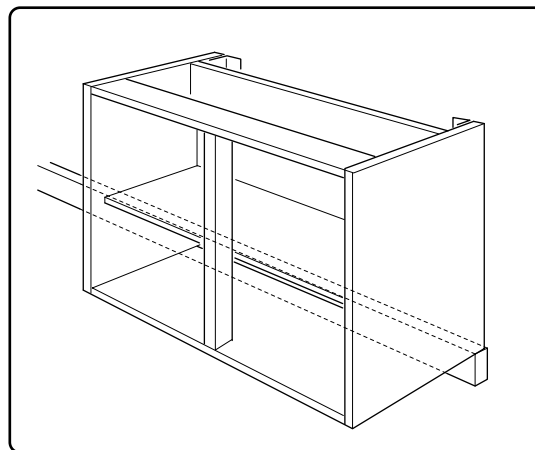
- 7** Fix the base of the cabinet to the rail using brackets and screws to secure.



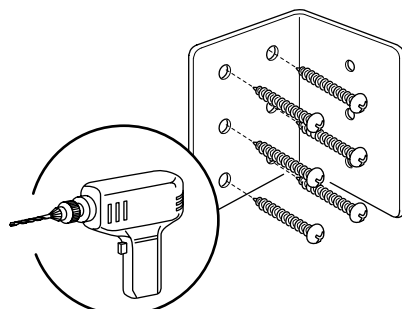
- 3** Place cabinet to the wall and mark for wall fixing positions.



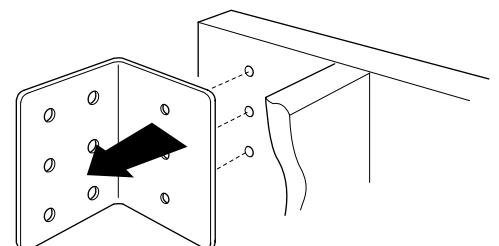
- 6** Align the cabinet to the fitted brackets and secure with screws.

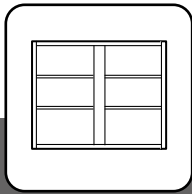


- 5** Drill fixing locations and secure the brackets to the wall using suitable wall fixings.



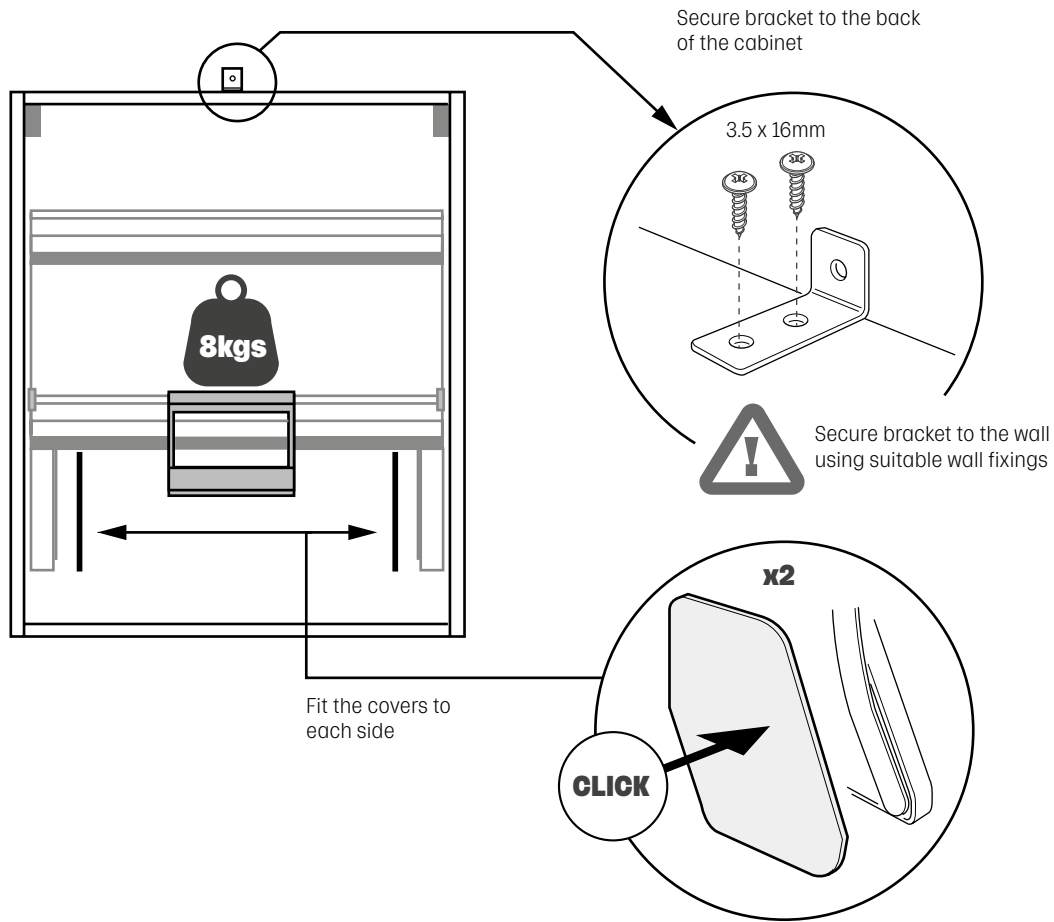
- 4** For ease of fixing, remove the brackets from the cabinet.



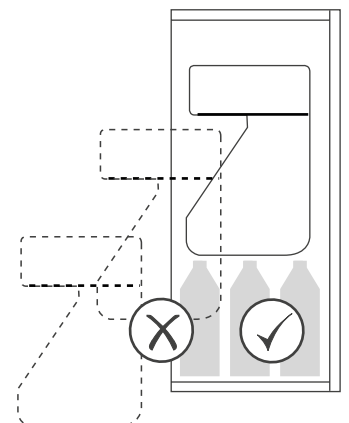
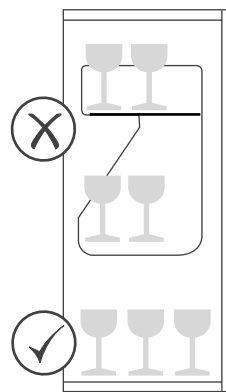
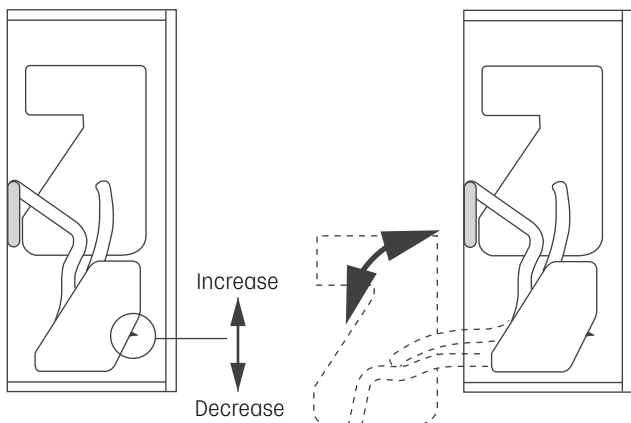


Section 9 - Inclusive kitchens

600mm Wall pull down unit



Adjustment & Operation



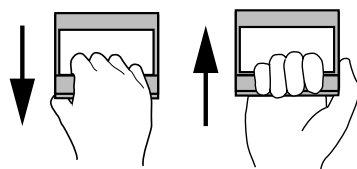
Mechanism resistance adjustment switch



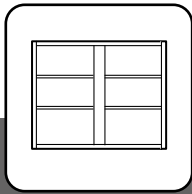
Use the handle to pull down and lift up

Do not use the accessory for storing unstable fragile items

Make sure there are no objects obstructing the pull down unit from opening

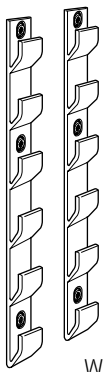


Handle should always be in a near vertical position when lifting up/down and never horizontal

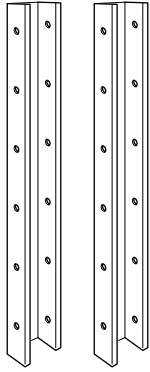


Section 9 - Inclusive kitchens

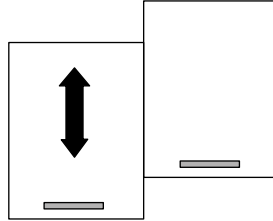
Adjustable wall bracket



Wall brackets



Metal cabinet brackets



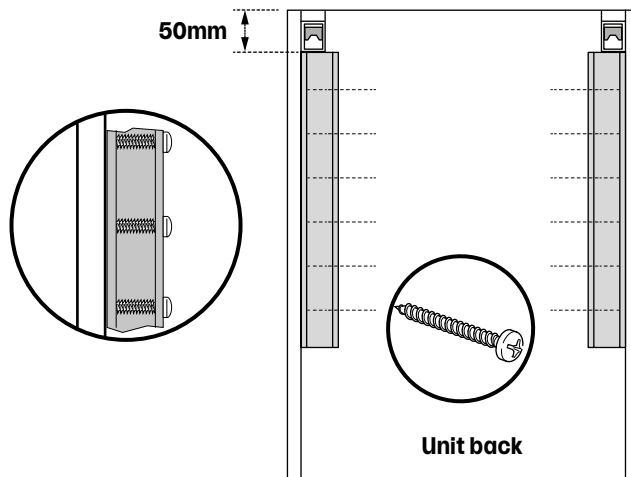
Wall unit can move up and down.
Always maintain 3 positions of contact on the wall bracket.

IMPORTANT:
Maximum weight load capacity per set of brackets is 90kgs.
Existing wall cabinet brackets can be left in place.

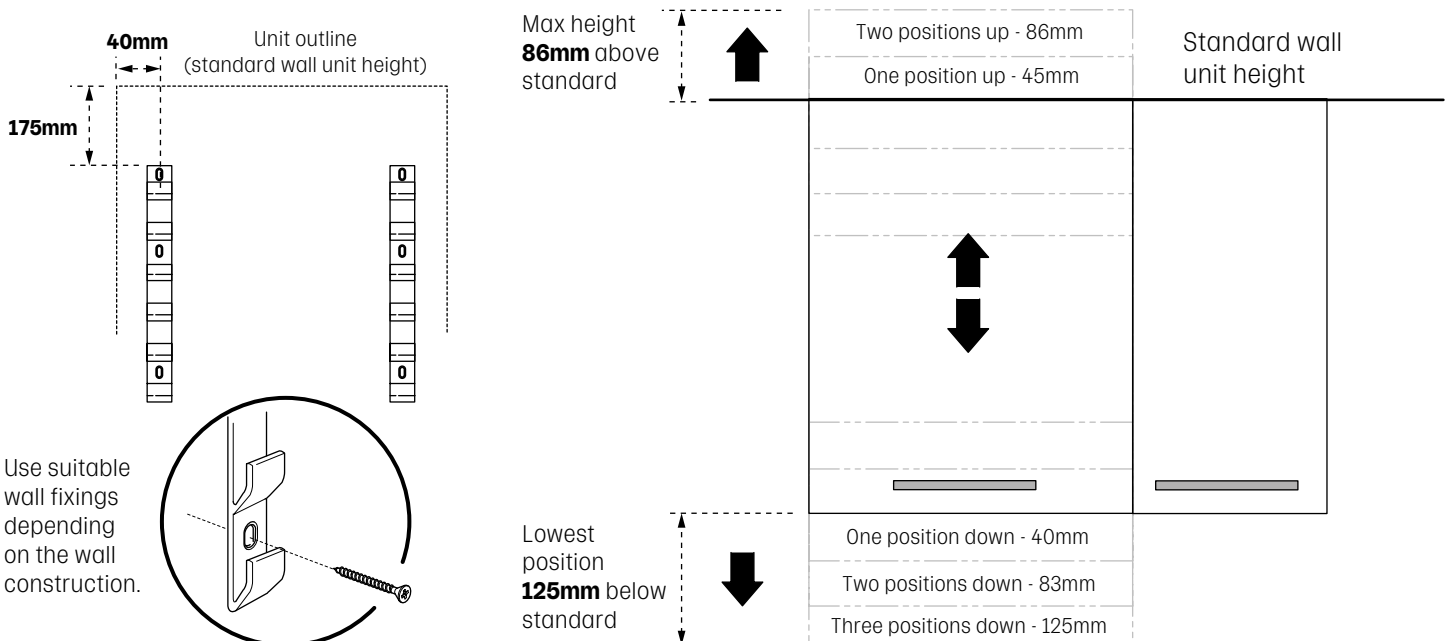
Assembly

Ensure back panel pins are flush with surface of the side panel before fitting brackets

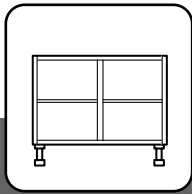
- 1 Fit the brackets to the back of the cabinet using the screws provided. Brackets should sit flush against the side panel.



- 2 Mark the standard height of the cabinet on the wall. Fit the wall brackets following the dimensions shown. Carefully hang the cabinet to the wall, hooking onto the brackets at the chosen height.



Use suitable wall fixings depending on the wall construction.

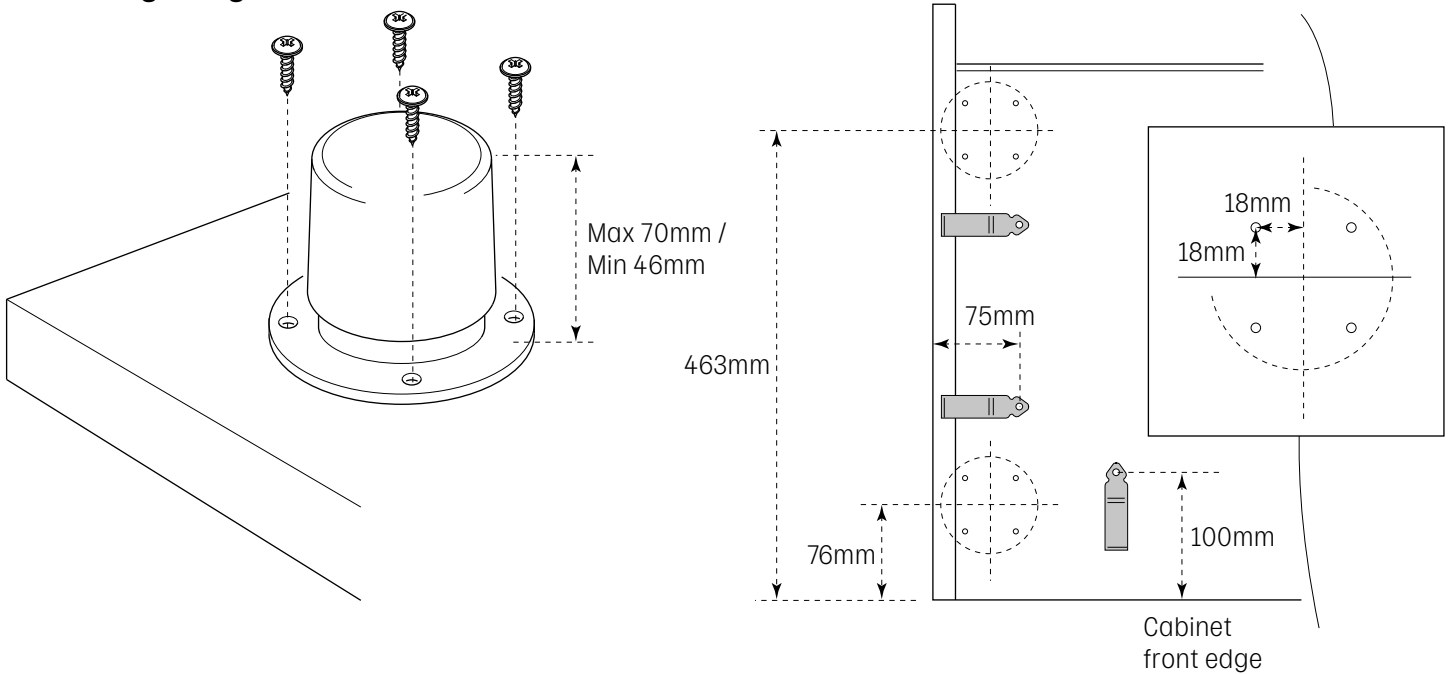


Section 9 - Inclusive kitchens

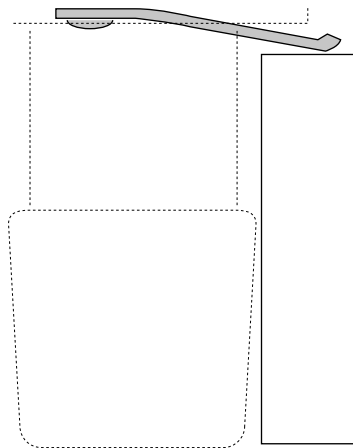
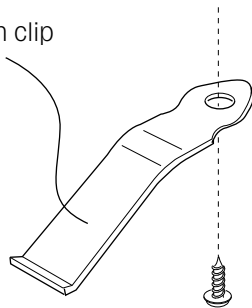
Leg and plinth fixing

Follow the diagrams for the different types of inclusive leg option and the plinth application.

60mm Leg fixing



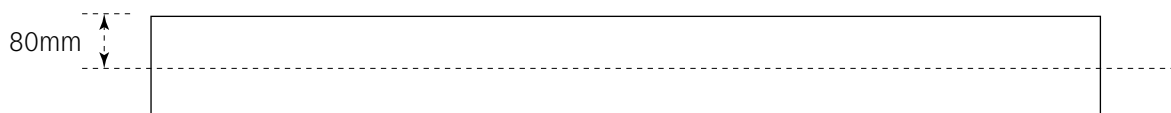
Plinth clip

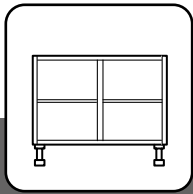


Push plinth up under the protruding section of the clip and against the leg.

Standard plinth modification

Cut a standard plinth in half to use for a 60mm leg application. The height of the cut plinth will allow for 20mm of scribing for uneven floors.



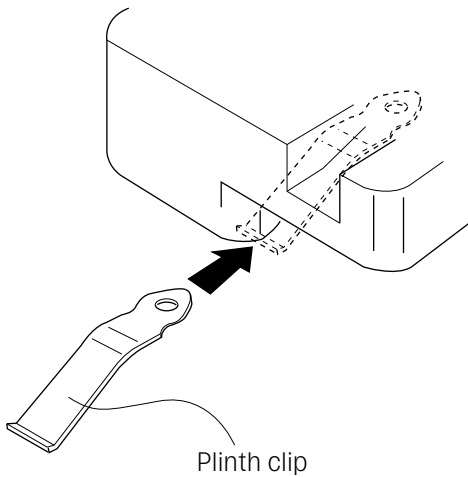
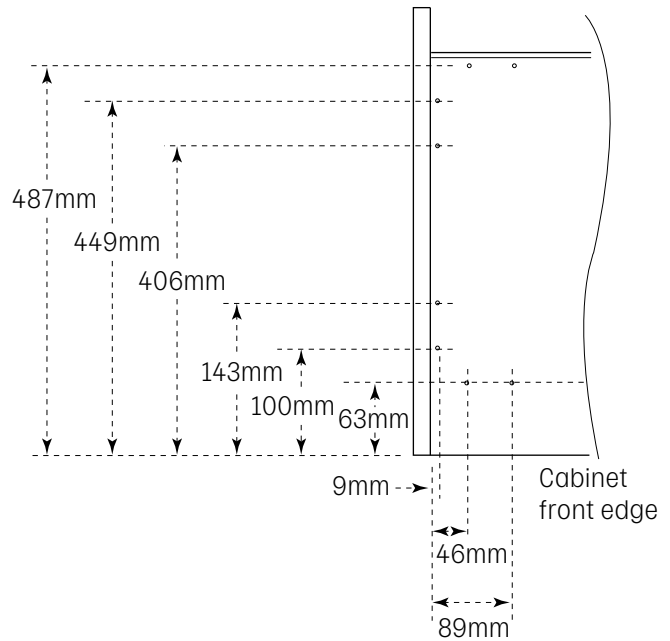
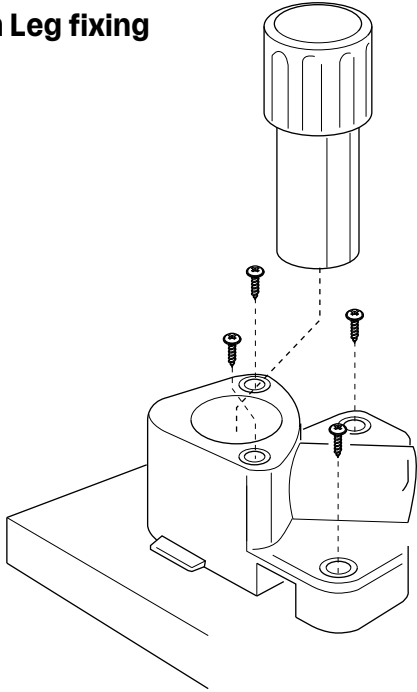


Section 9 - Inclusive kitchens

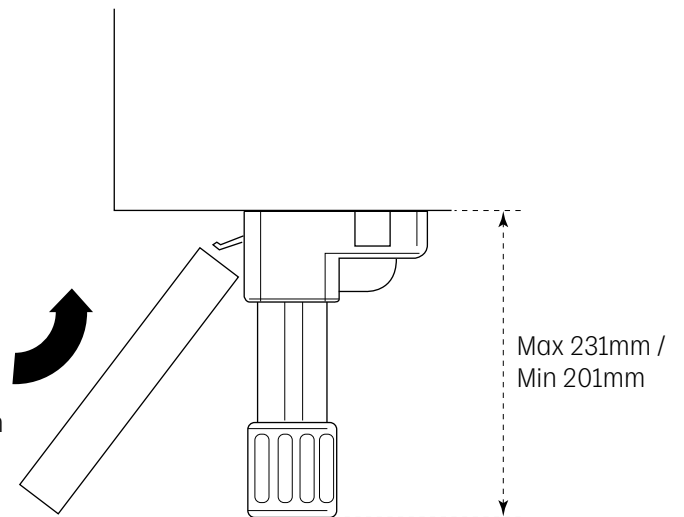
Leg and plinth fixing

Follow the diagrams for the different types of inclusive leg option and the plinth application.

223mm Leg fixing

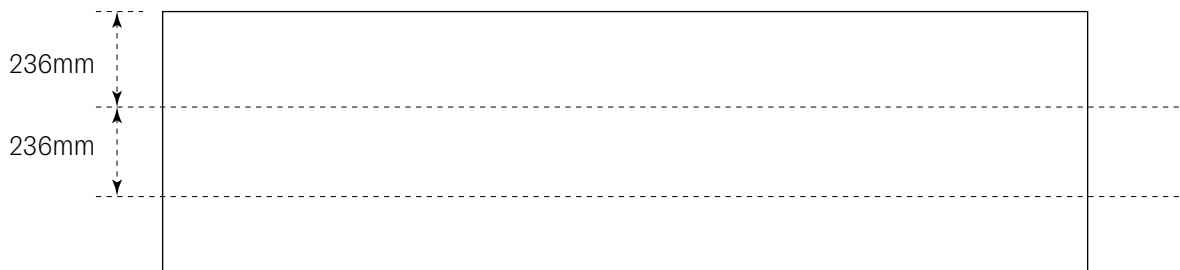


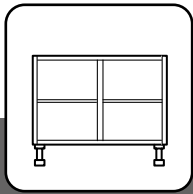
Push plinth up under the protruding section of the clip and against the leg.



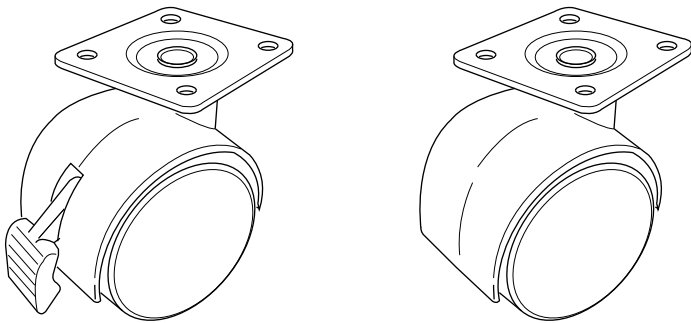
Custom fit panel modification

Cut a custom fit panel to make the plinth for a 60mm leg application. The height of the cut panel will allow for 20mm of scribing for uneven floors.

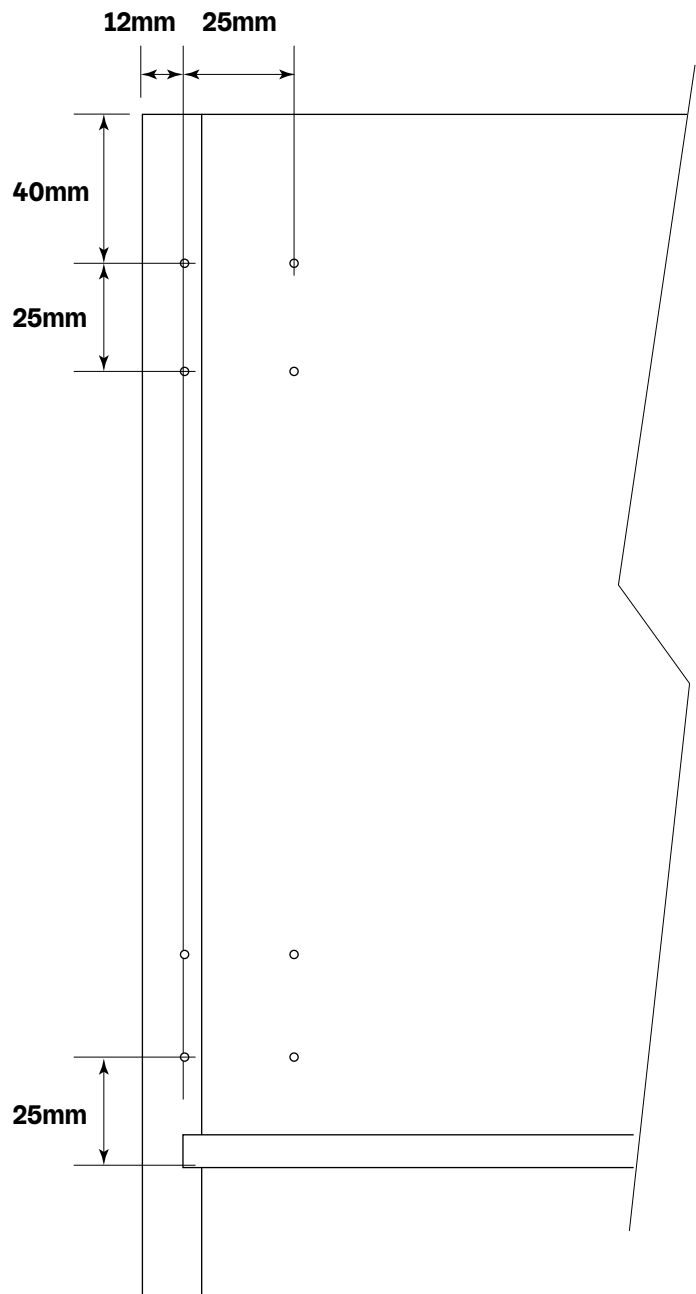
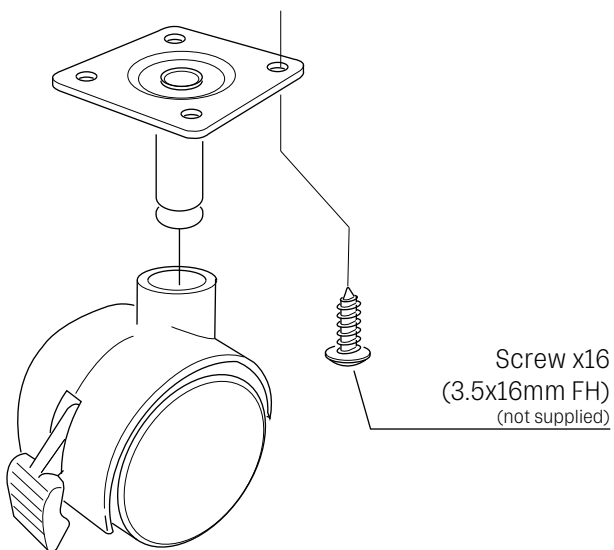
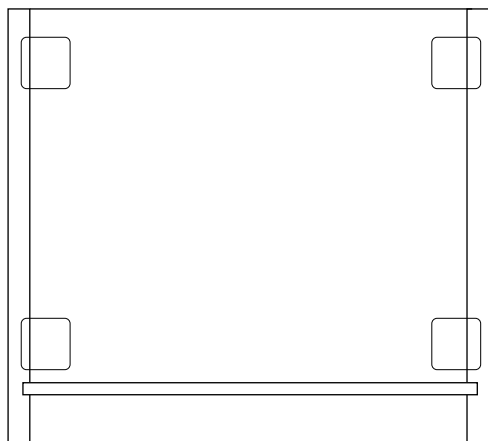




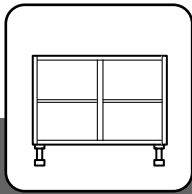
Caster assembly



Assembly



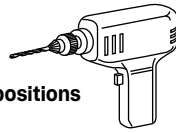
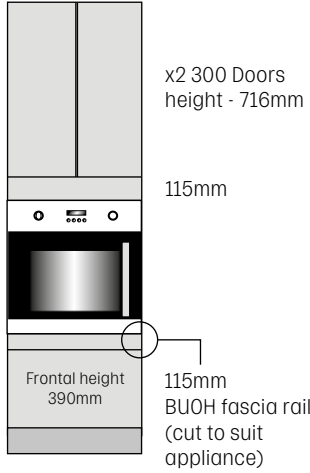
NOTE: Make sure castors are fully located onto the pegs, so they click into position.



Section 9 - Inclusive kitchens

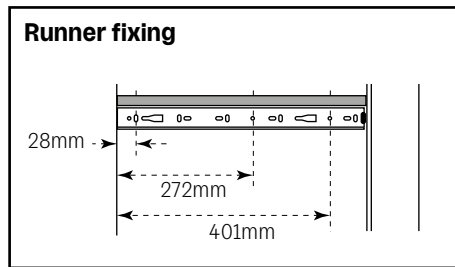
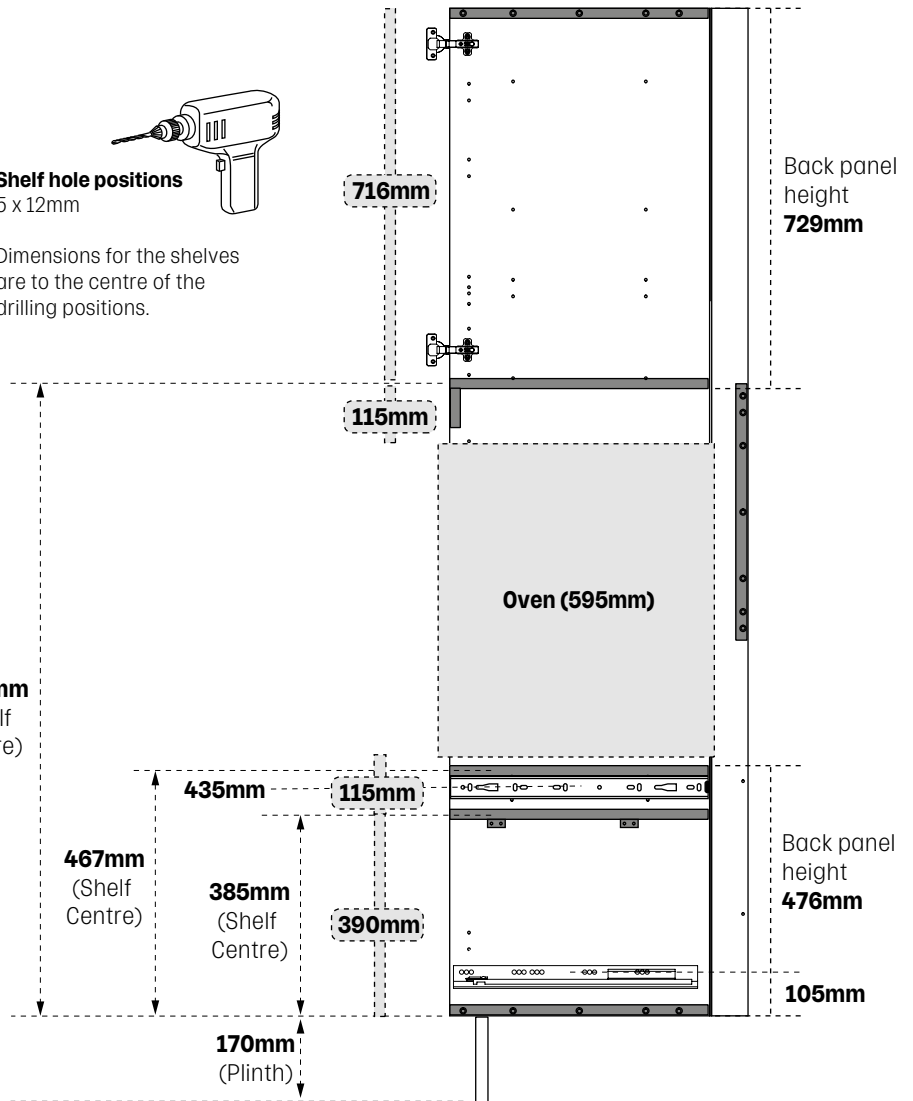
Tower pull-out worktop application

Single oven tower with pull-out worktop to door and drawer application



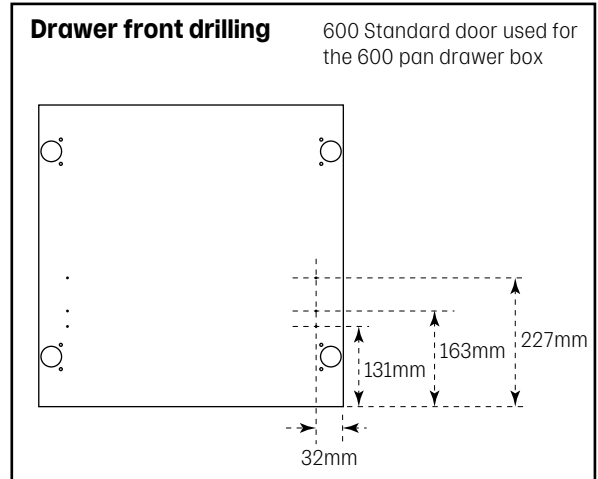
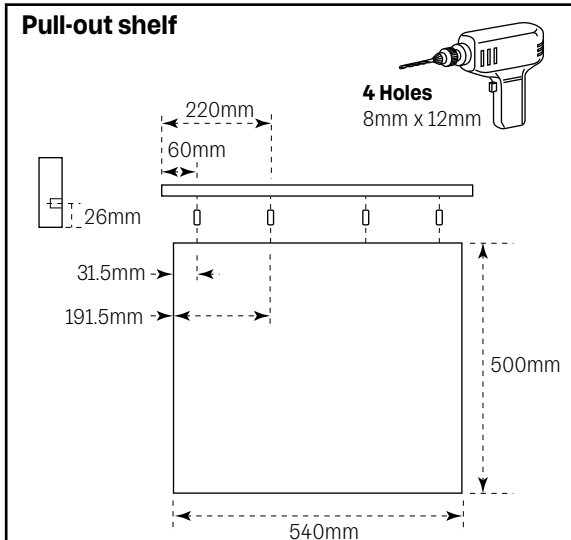
Shelf hole positions
5 x 12mm

Dimensions for the shelves are to the centre of the drilling positions.



When fitting the worktop to the runners, ensure the worktop is positioned 2mm forward from the cabinet to allow for the fitting of bumpers. Use a strong wood glue to secure dowels.

Follow the dimensions below for the positions of the drawer box fixing brackets. Follow the leaflet supplied with your drawer box for pan drawer installation and adjustment.



NOTE: The above drilling for the drawer front is also applicable for the 600 Fridge or freezer tower.