

# Bathroom Installation Manual



**HOWDENS**  
JOINERY CO.

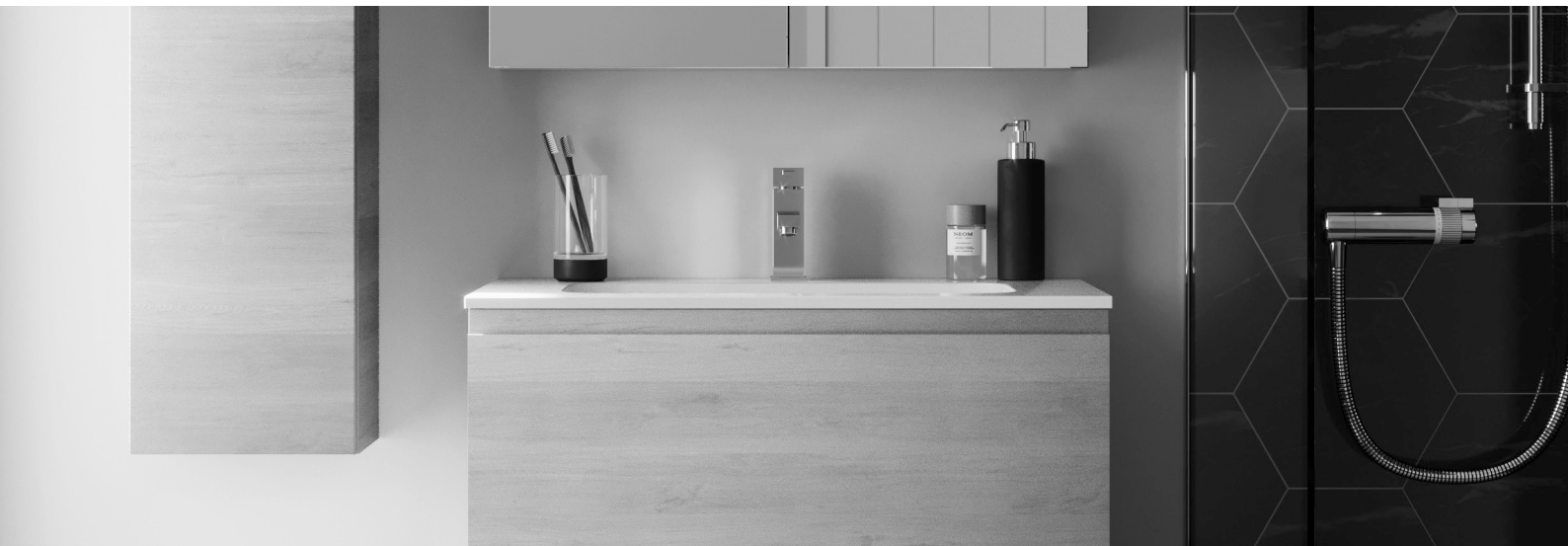
MAKING SPACE MORE VALUABLE

January 2019



## Contents

General information	Page 3
Care & maintenance	Page 3
Cabinet features and benefits	Page 4
Fascia removal, hinge fitting and adjustment	Page 5
Cabinet hanging brackets	Pages 6, 7, 8
Drawers	Page 9
Basins	Page 10
Finishing touches	Page 11
<i>Worktops</i>	
<i>Shelf pegs</i>	
<i>Handles</i>	
<i>Cover caps</i>	





# General Information

This manual has been designed to instruct in the assembly & installation of Howdens Joinery bathroom cabinets. We recommend that the installation of your bathroom be carried out by professional installers, who have the relevant qualifications and can complete the work to the recognised British and European standards. This will ensure your bathroom achieves the professional fitted look that you require.

During the cabinet assembly and installation, you will be asked to refer to the manufacturers instructions for fitting the sanitaryware, i.e. basin, cistern and toilet etc. These instructions will be supplied with your sanitary product.

## Installation

- Remove all protective film from cabinet panels and doors before installation  
**Note:** Fascia panels (where applicable) can be removed from the cabinet by unlocking cams to make protective film removal easier.
- Install your bathroom carefully, following the installation and adjustment pages in this booklet which are relevant to the units & products purchased.
- Some cabinets (such as cistern units), will be supplied with assembly instructions, as these are in flat pack form. Assemble the cabinet using the instructions before installation.
- Remove door and drawers when fitting your cabinets to the wall.
- Check your service points - Whilst your room is empty, it is an ideal time to check the position of your utilities/services.
- Undertaking the task of installing new sockets and pipe work is not so easy once units have been positioned. Please read the important notes section below.

## Important Notes

- When making holes into walls, floors and ceilings, ensure that you do not puncture any concealed plumbing or wiring.
- Before fixing the units to the wall, please ensure the construction of the wall is capable of taking the weight of the unit. **IMPORTANT:** Ensure wall fixings are suitable to hold the weight of a loaded cabinet, worktop and basin (where applicable).
- Any exposed cut edges **MUST** be sealed using an appropriate sealant.
- Make sure electrical items in your bathroom are switched off before cleaning them using a dry cloth. Cabinets with integrated lights or other electrical components must not come into contact with water!

## Care & Maintenance

### Door & Cabinet Care

- Usually regular cleaning with a clean damp cloth is sufficient. Never use strong detergents or abrasive cleaners as these may damage the surface finish of your furniture. We do not recommend spray polishes are used.
- Efficient ventilation and extraction in the bathroom are essential to maintain your furniture's quality and appearance.

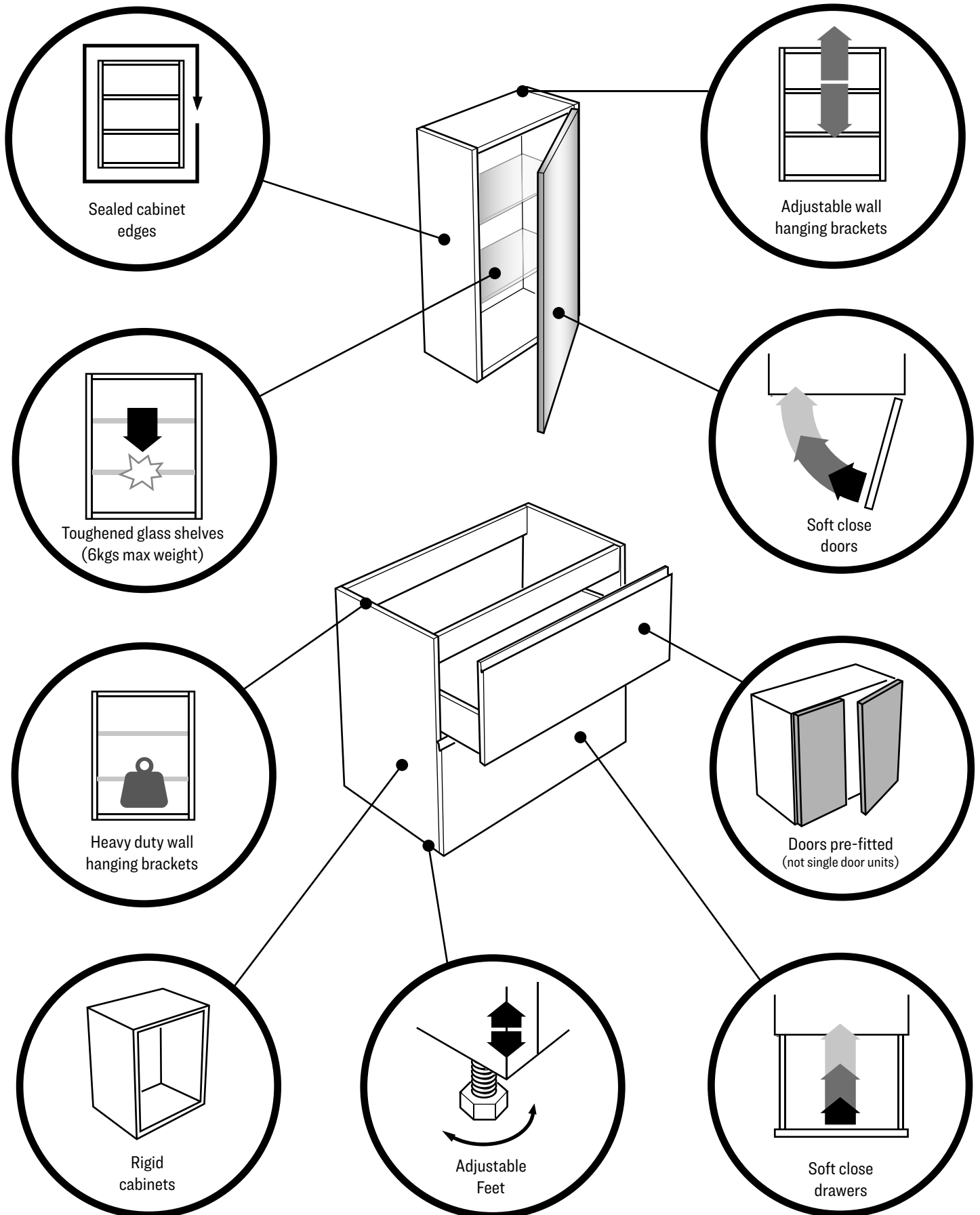
### Glass Care

- When cleaning glass panels or mirrors, use a clean damp cloth or leather with washing up liquid or soft soap if necessary.
- Do not use washing powders or any other substance containing abrasives, as these will scratch the glass.

### Sanitaryware

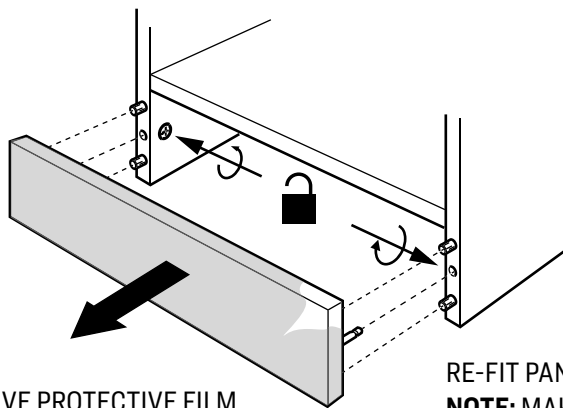
- Follow the manufacturers instructions for cleaning.

# Cabinet features & benefits

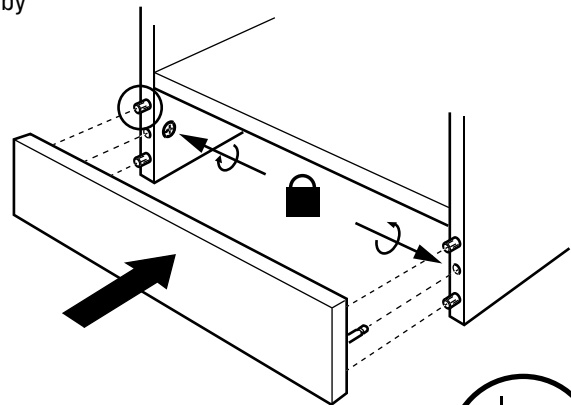


# Fascia removal, hinge fitting & adjustment

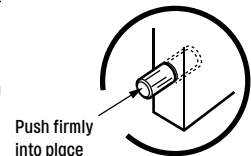
Fascia panels (where applicable) can be removed from the cabinet by unlocking cams to make protective film removal easier.



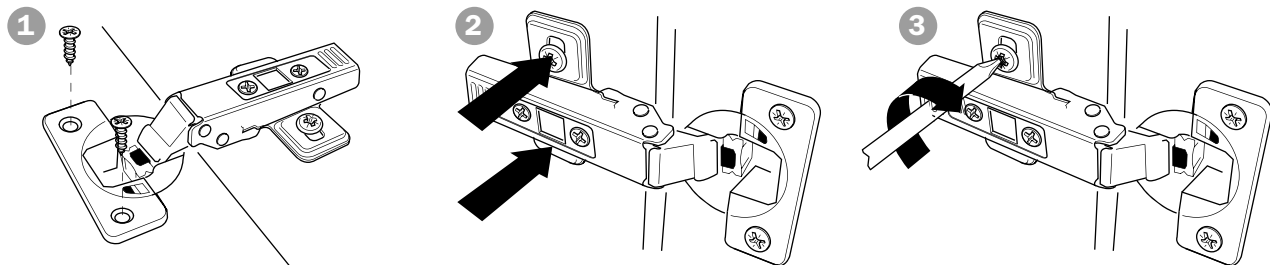
REMOVE PROTECTIVE FILM



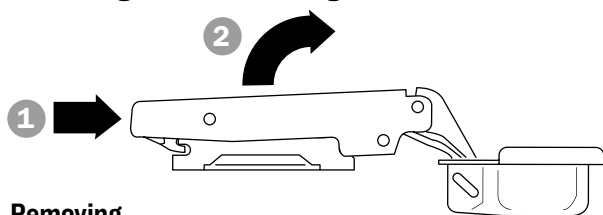
RE-FIT PANEL TO THE UNIT  
**NOTE:** MAKE SURE DOWELS ARE FULLY LOCATED INTO THE END PANELS. **DO NOT GLUE.**



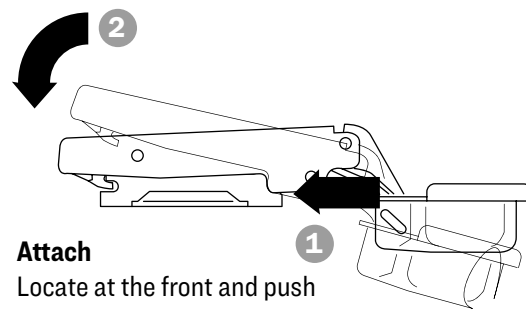
## Hinge fitting



## Removing and re-attaching the door

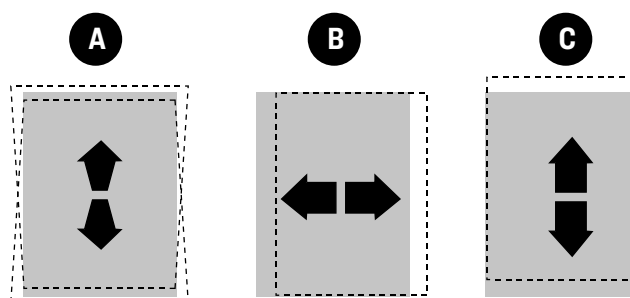
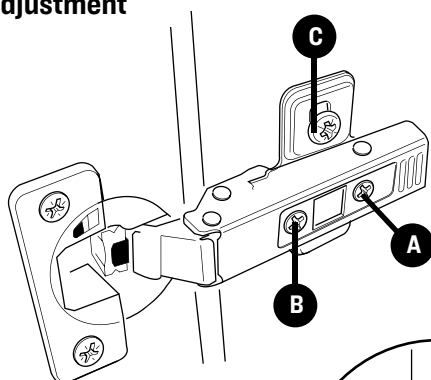


**Removing**  
 Push the clip at the back to release.



**Attach**  
 Locate at the front and push down at the back, clipping into place.

## Adjustment



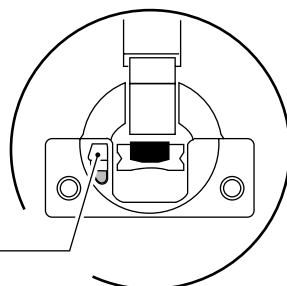
Depth

Side

Height

## Soft close de-activation switch

Soft close activation/  
 de-activation switch



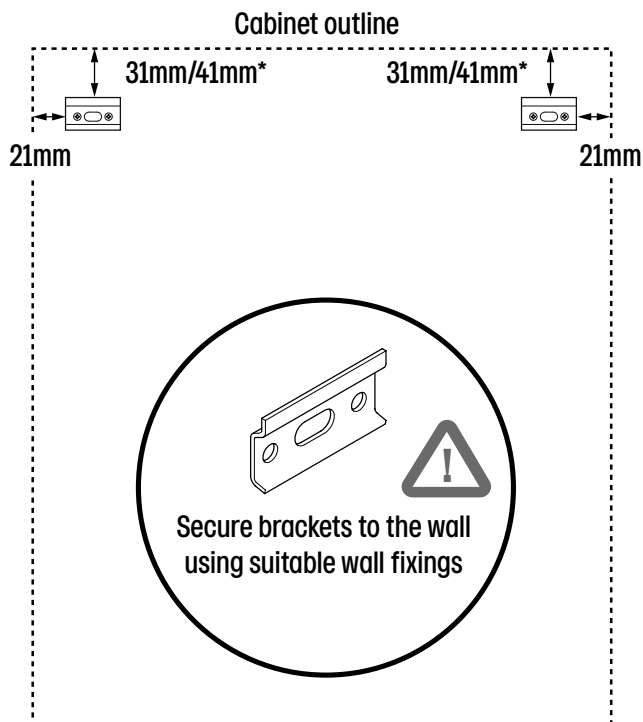
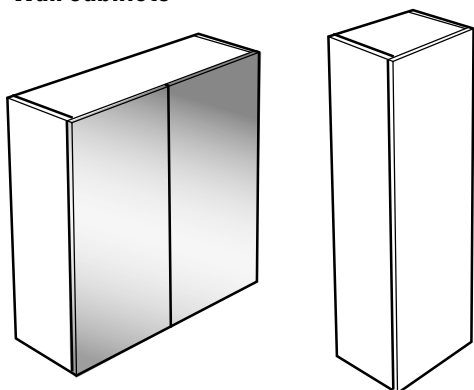
### Note:

Some doors may not require two activated soft close hinges due to the size and weight of the door.

If the door is not closing correctly, de-activate one of the soft close switches on one of the hinges to improve the soft close action.

# Cabinet hanging brackets

## Wall cabinets

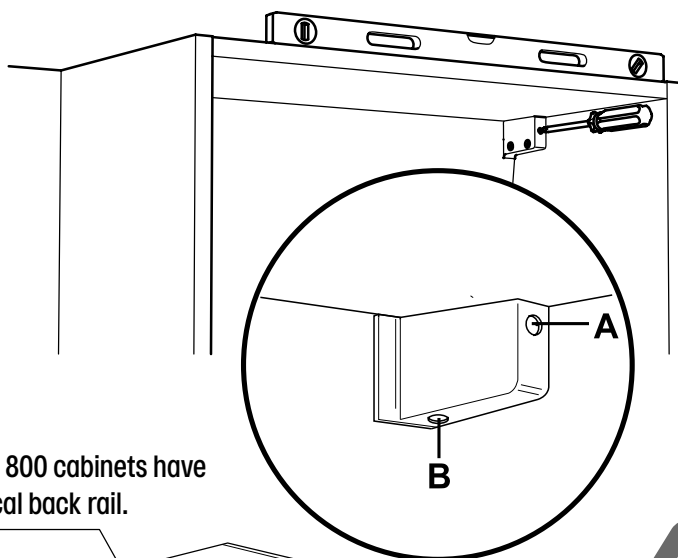


**Note:**  
Remove cabinet doors (where applicable) before hanging the cabinets to the wall.

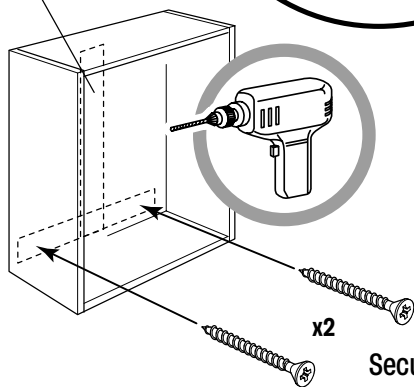
\*Mirror cabinets = 41mm  
Wall cabinets = 31mm

We recommend a gap of 380mm between the top of the vanity unit and the underside of the wall unit.

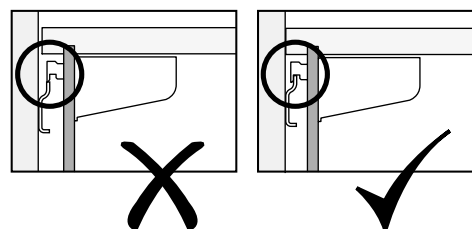
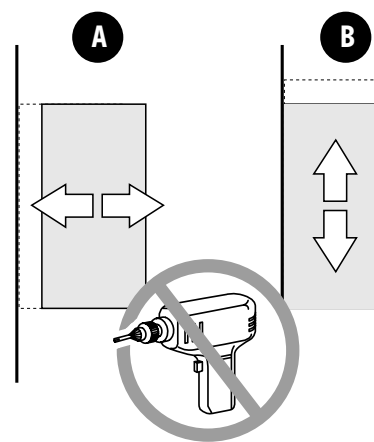
## Cabinet fitting & adjustment



**Note:** 800 cabinets have vertical back rail.



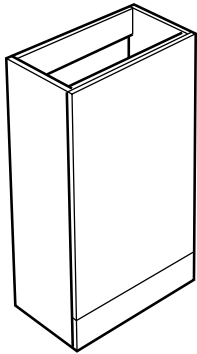
Secure to the wall using suitable wall fixings.



**IMPORTANT:** CABINETS MUST BE TIGHT TO THE WALL WITH BRACKETS LOCATED CORRECTLY.

# Cabinet hanging brackets

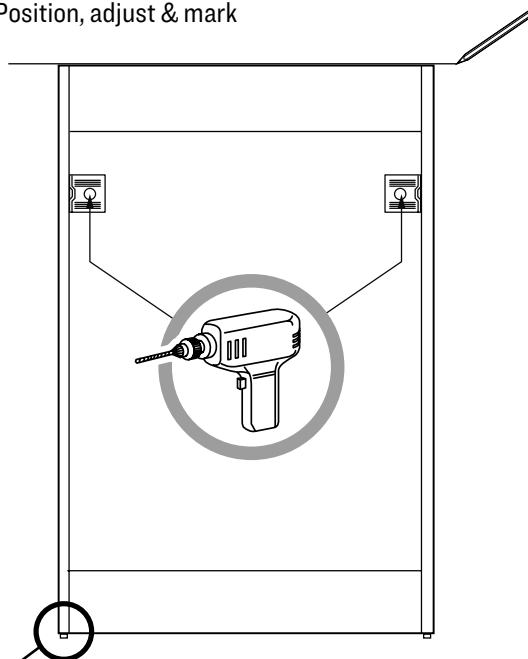
## Floorstanding



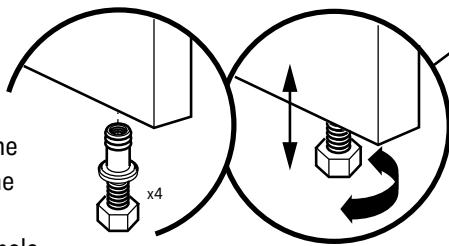
### Note:

Remove cabinet doors before securing to the wall.

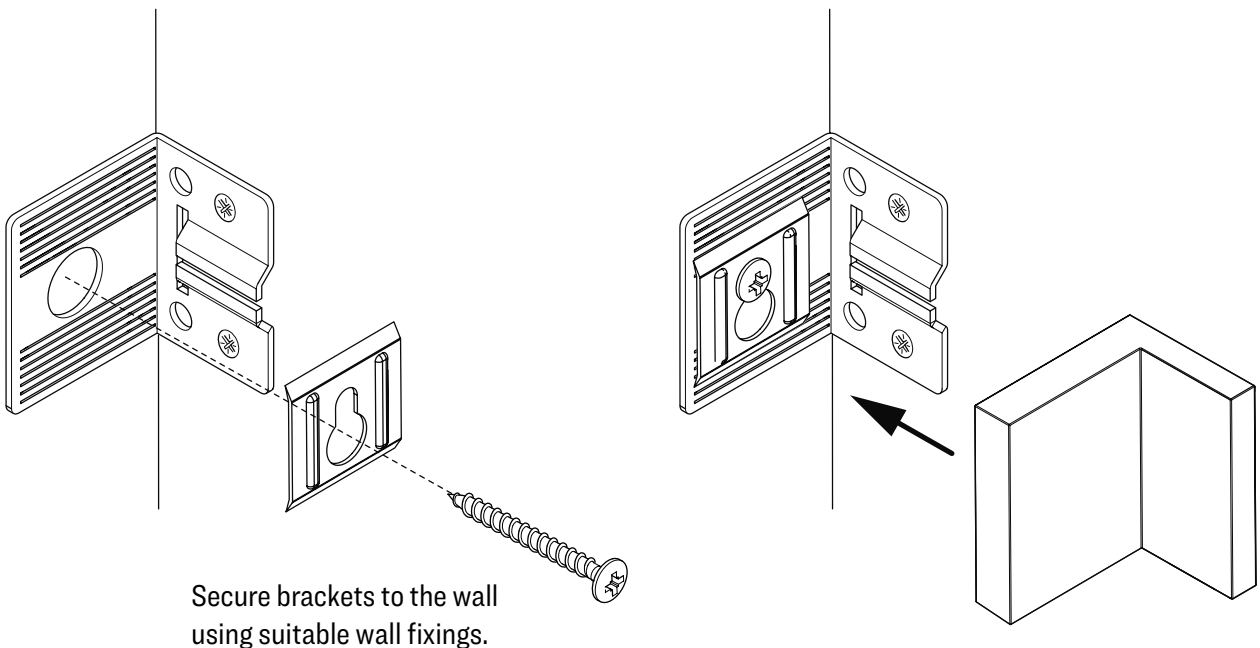
## Position, adjust & mark



Tap into the holes in the underside of side panels.

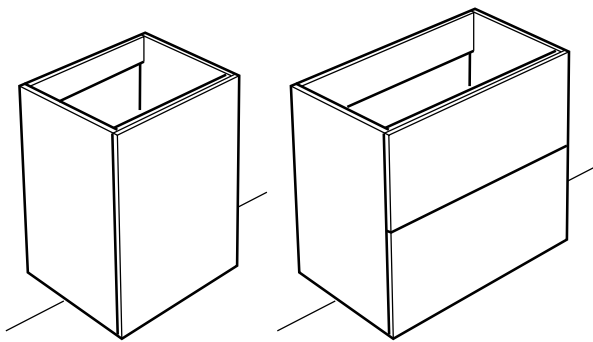


## Secure to the wall




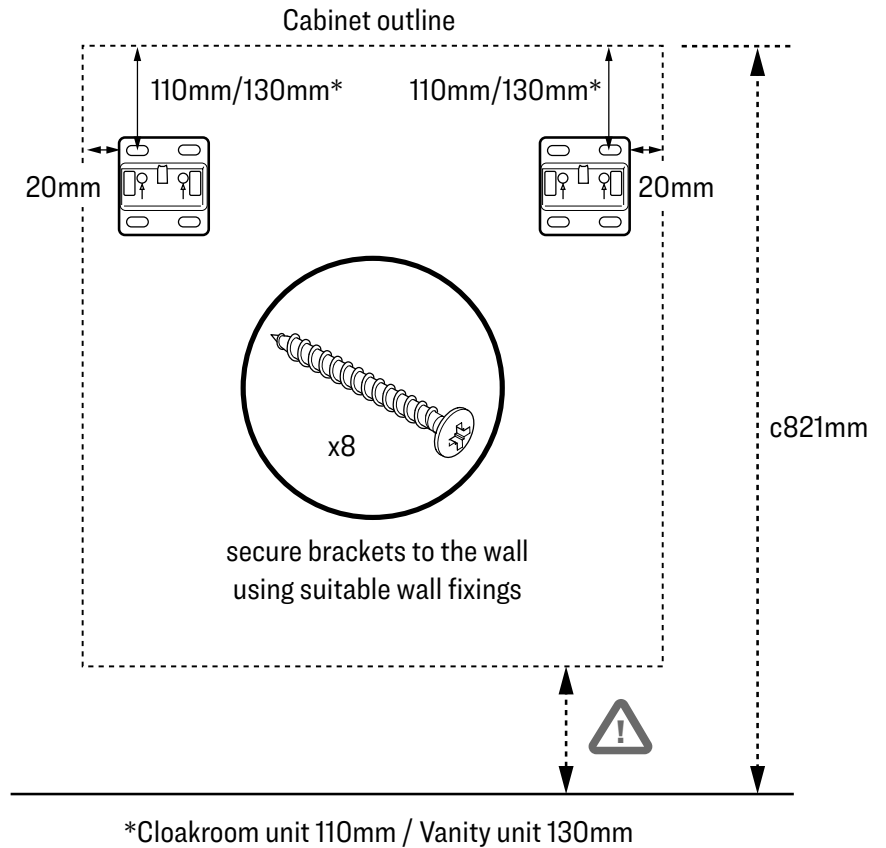
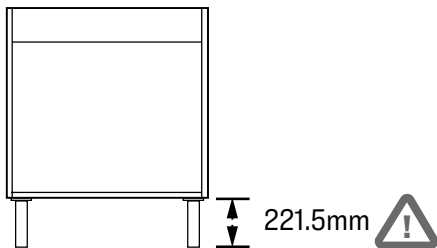
# Cabinet hanging brackets

## Wall mounted



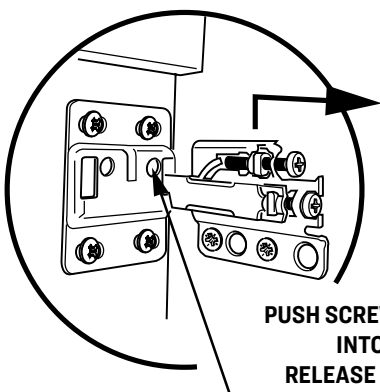
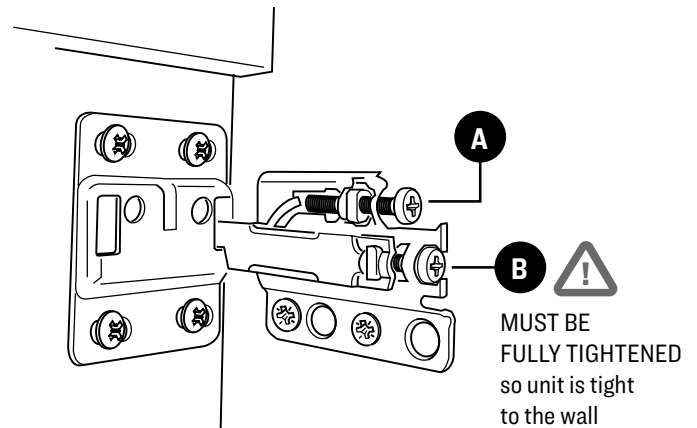
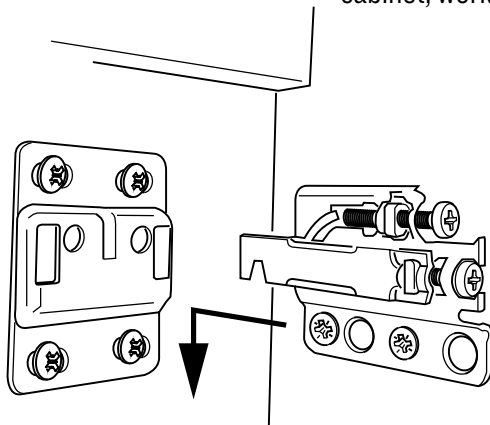
**Note:**  
Remove drawers before fitting to the wall.

 If fitting the decorative leg, ensure the height of the leg is considered when planning.

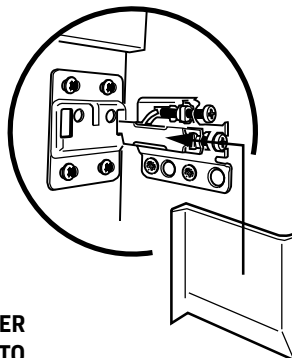


## Cabinet fitting & adjustment

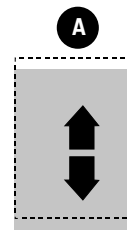
**IMPORTANT:** Ensure wall fixings are suitable to hold the weight of a loaded cabinet, worktop and basin (where applicable).



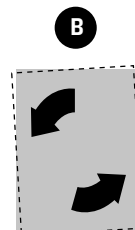
**PUSH SCREWDRIVER INTO HOLE TO RELEASE BRACKET**



Bracket cover for cloakroom units only



Height



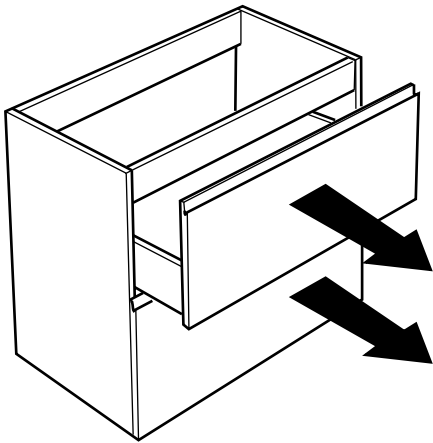
Tighten to wall



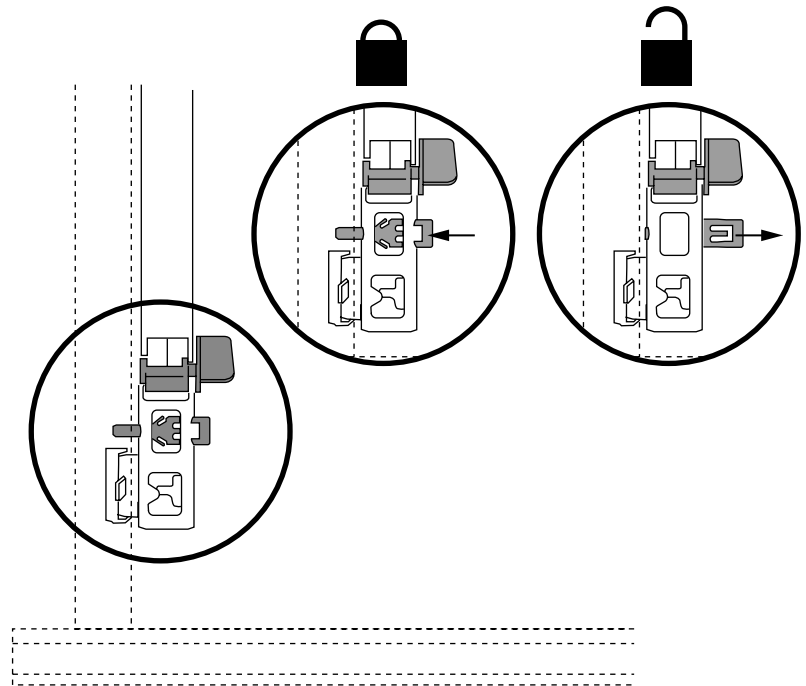


# Drawers

## Drawer removal

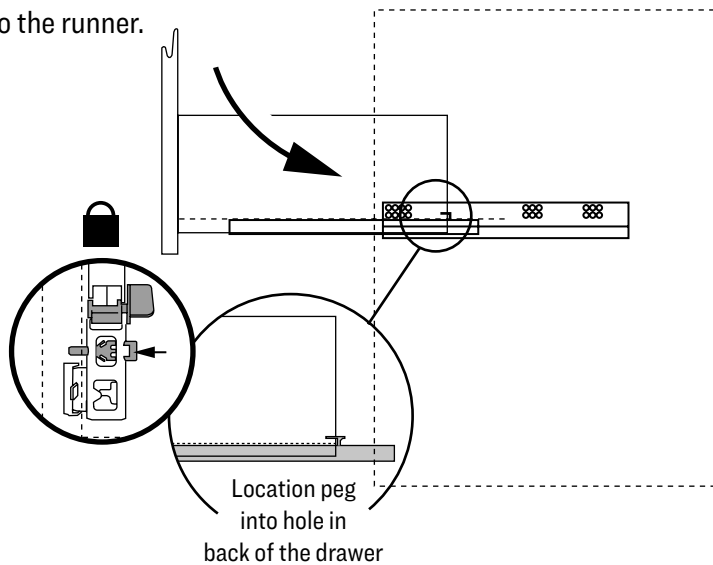
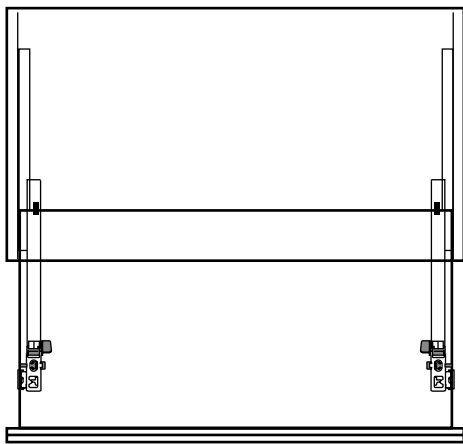


Open the drawer, unclip and lift the drawer from the runners.

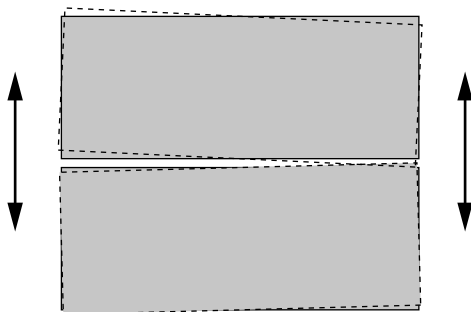


## Drawer fitting

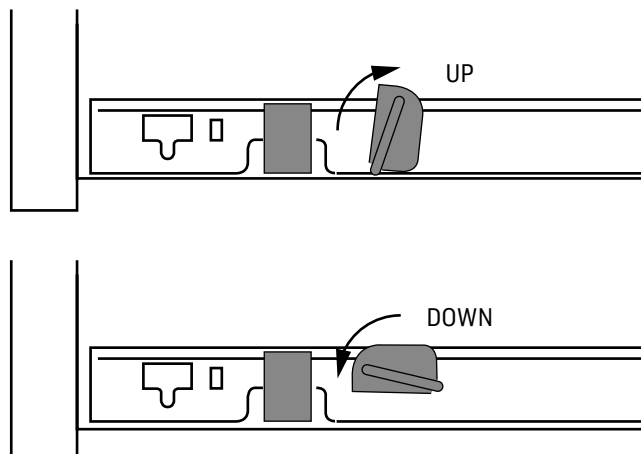
Position the drawer box onto the extended runners. The holes in the back of the drawer box must fit into the runner location pegs and the sides of the drawer onto the runner. Push in the clip to lock.



## Drawer adjustment

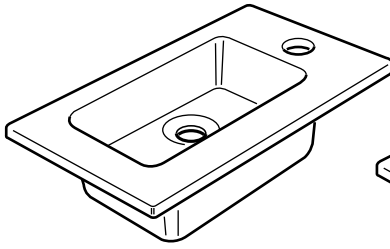


Height & tilt adjustment

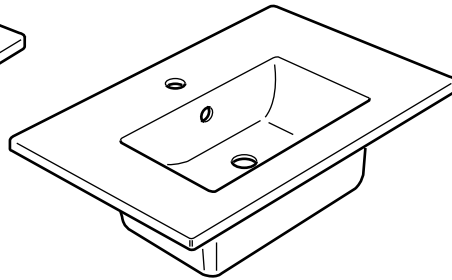


# Fitting a basin to the cabinet

Basins are designed to sit on top of the cabinets. There will be a slight overhang of the basin to the cabinet edge each side. This should be taken into consideration when fitting two cabinets/basins side by side.



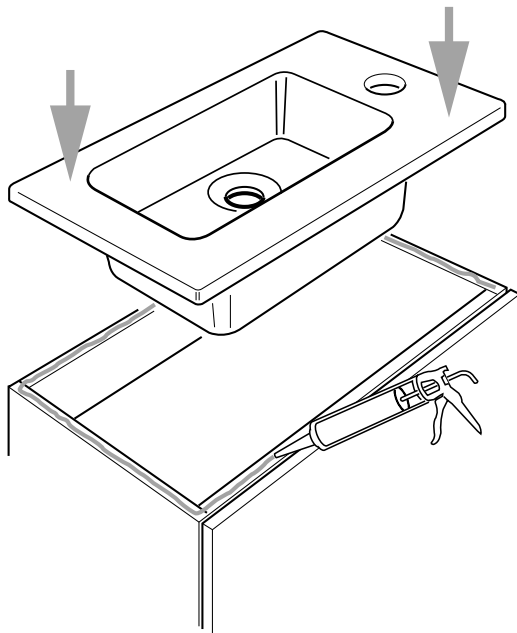
Cloakroom Basins  
(Resin cast marble)



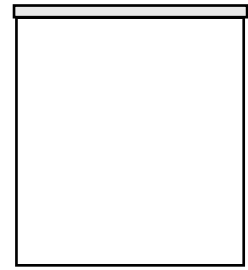
Vanity Unit Basins  
(Ceramic)

Apply silicone around the rim of the cabinet and position the basin onto it.

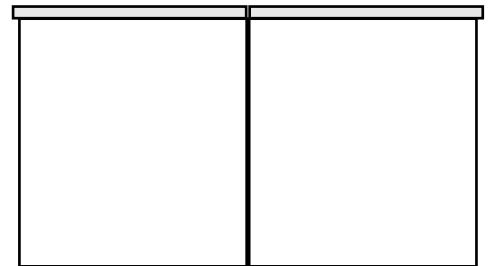
**Note:** Once in place, wipe away any excess silicone using a clean damp cloth.



Centralise basin



Offset when two basins together

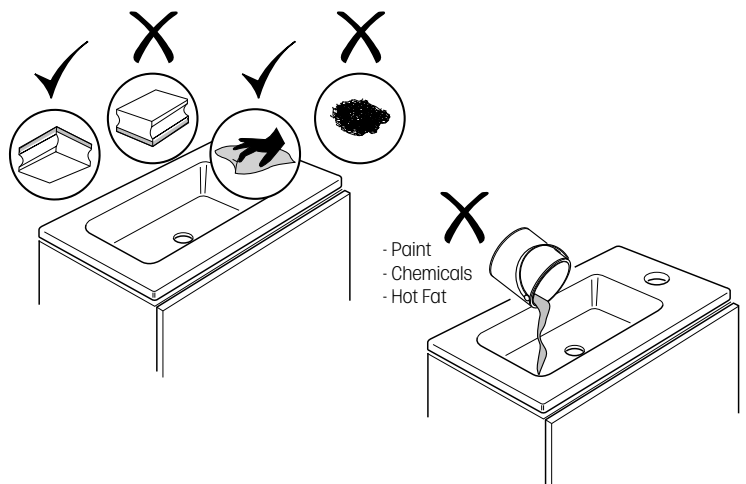


## Care & Maintenance

To remove most kinds of stains which appear on the surface, use a damp cloth or non-abrasive sponge and a normal non-abrasive detergent. Carefully rinse the surface then wipe down with a soft cloth.

Do not use Ammonia-based products or bleach to clean the bathroom basin.

**Important:** Always finish off by rinsing your sink thoroughly with clean water to remove any residue, then dry it with a soft cloth to prevent lime-scale building up.



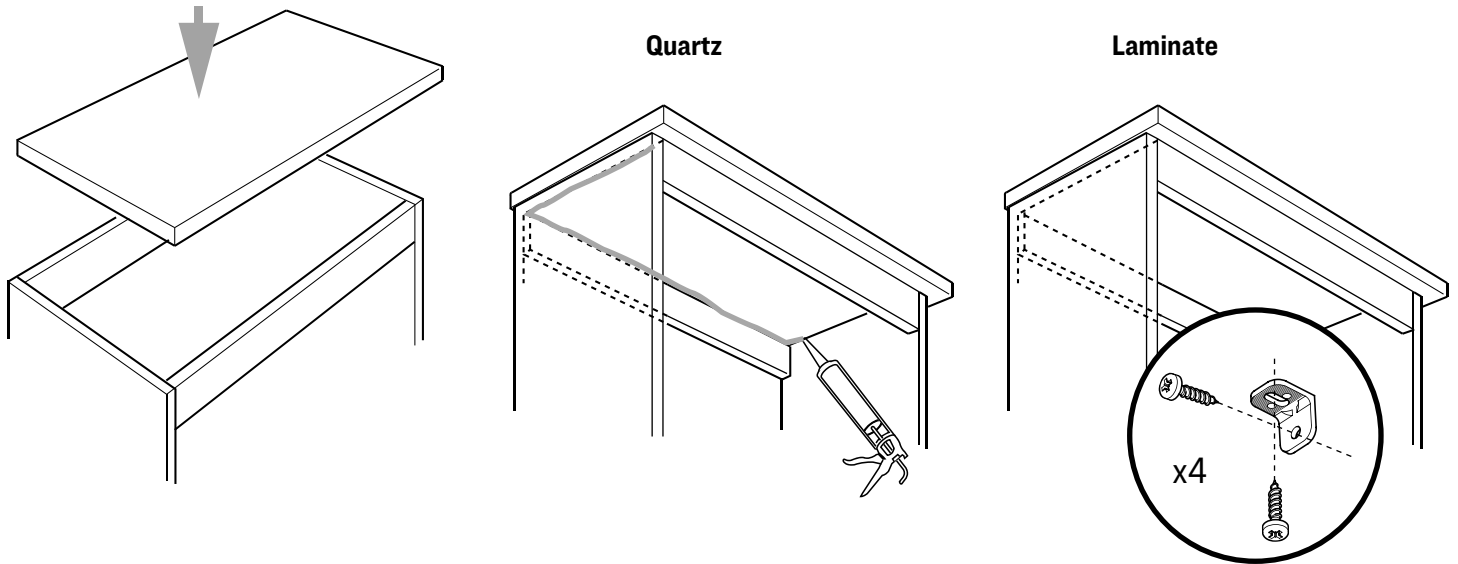
# Finishing touches

## Worktops

Position the worktop onto the cabinet.

Quartz tops: From the inside, apply a thin bead of low modulus silicone to secure the top to the cabinet.

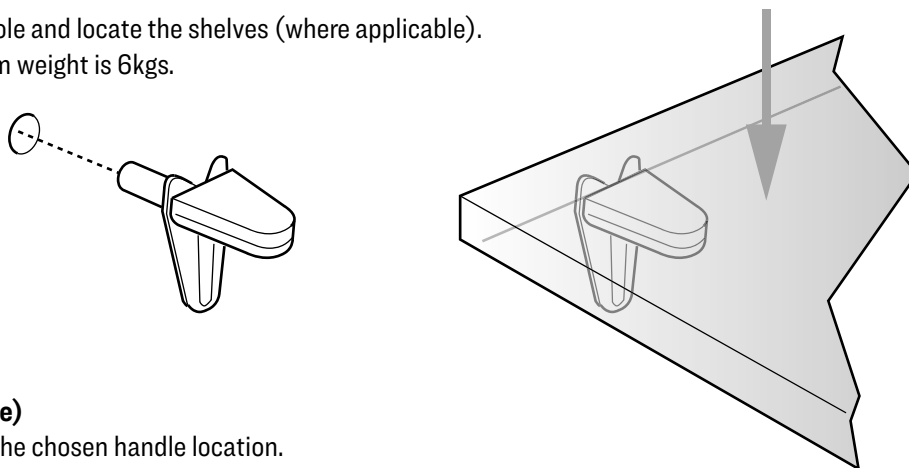
Laminate tops: Secure using metal brackets (slot to the worktop).



## Shelf pegs

Fit the shelf peg into the hole and locate the shelves (where applicable).

**Note:** Glass shelf maximum weight is 6kgs.



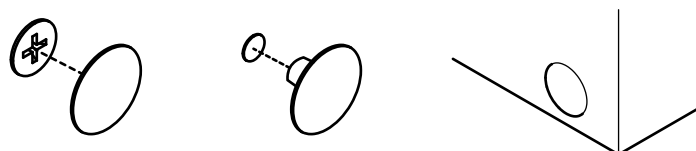
## Handles (where applicable)

Carefully drill the door for the chosen handle location.



## Cover caps & door bumpers

Apply cover caps where required. Door bumpers should be positioned to the top and bottom corner of the door (opposite from hinge location).





# HOWDENS

JOINERY CO.

MAKING SPACE MORE VALUABLE