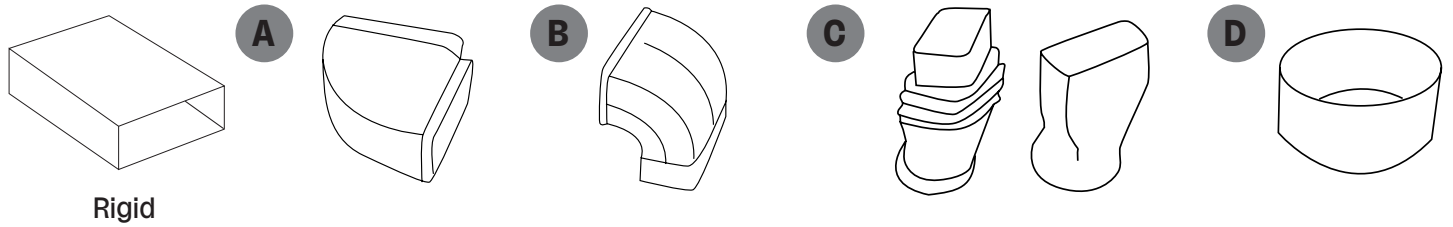


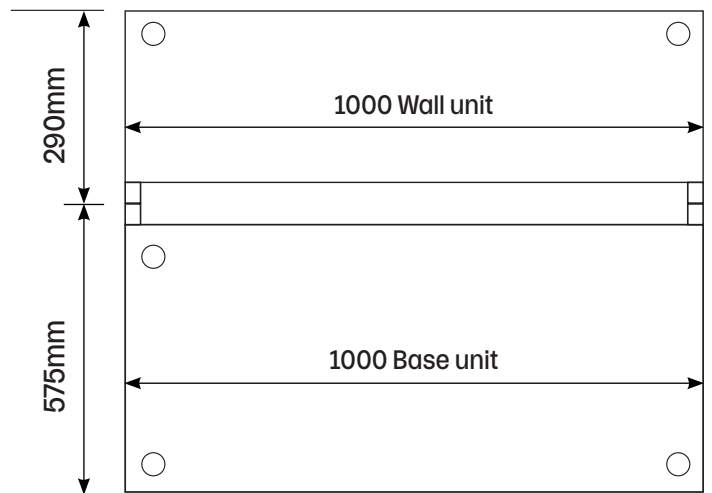
Contents



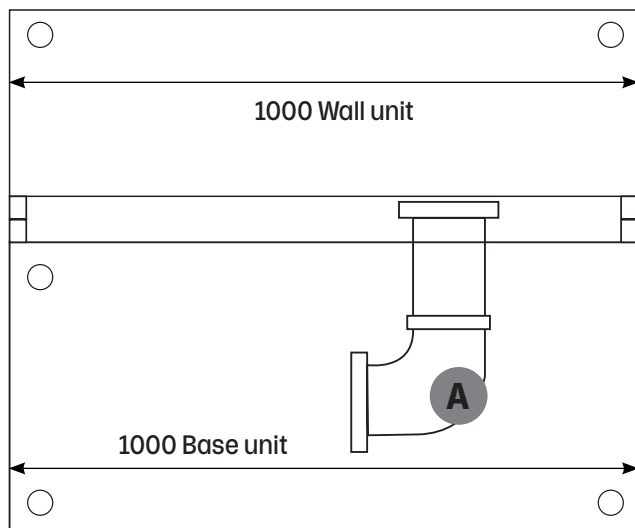
Installation Instructions

NOTE: THIS APPLIANCE IS DESIGNED FOR RECIRCULATION INSTALLATION ONLY

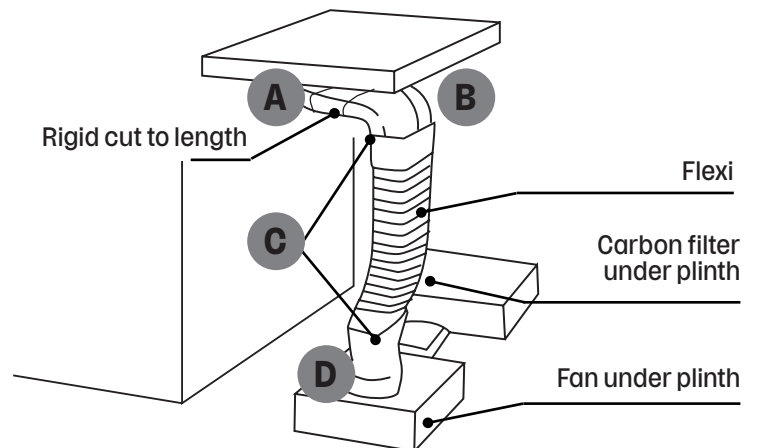
1. Remove the rear right foot from the base cabinet.



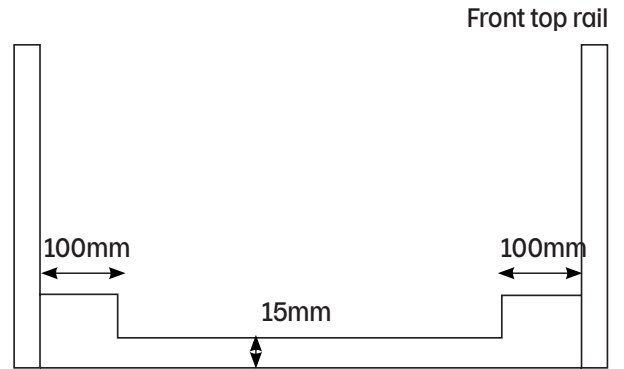
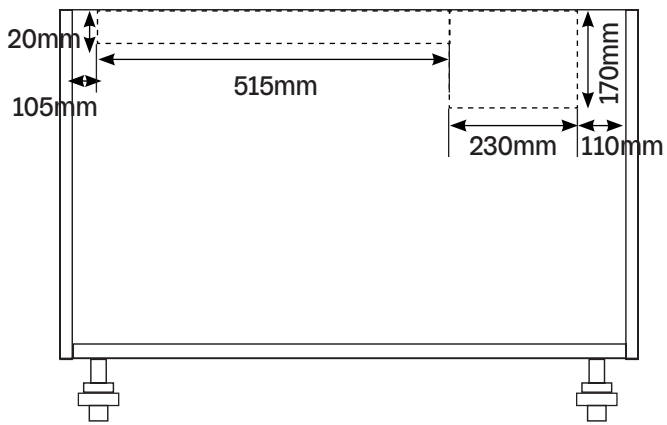
Ducting routing



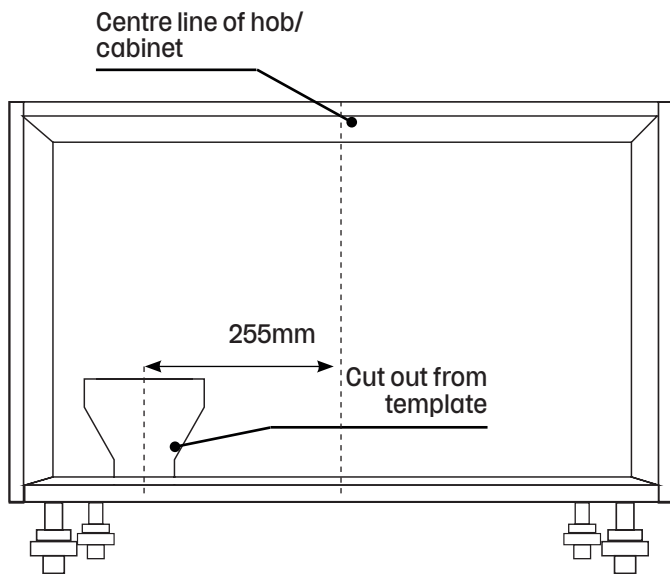
Ducting kit should be placed within the service void.



2. The back wall of the base cabinet and top rails require cutting prior to joining to the wall cabinet.



3. The rear and base of the wall cabinet will need to be cut using the template provided. It has a fold in it so that you can create the rear and base cut in one go.

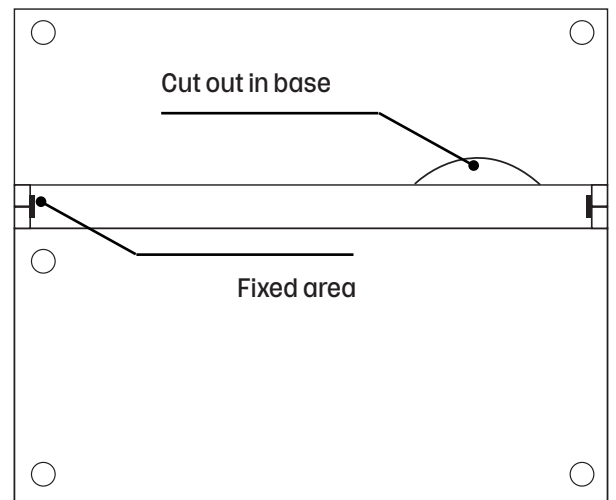


cut the template out and fold along the dotted line then measure 255mm from the centre of the hob/cabinet and mark the position.

Place centre line of the template on the cabinet, make a mark and then fold over the bottom panel and cut out the base and bottom panel around the template

FIT THE FEET TO THE WALL CABINET.

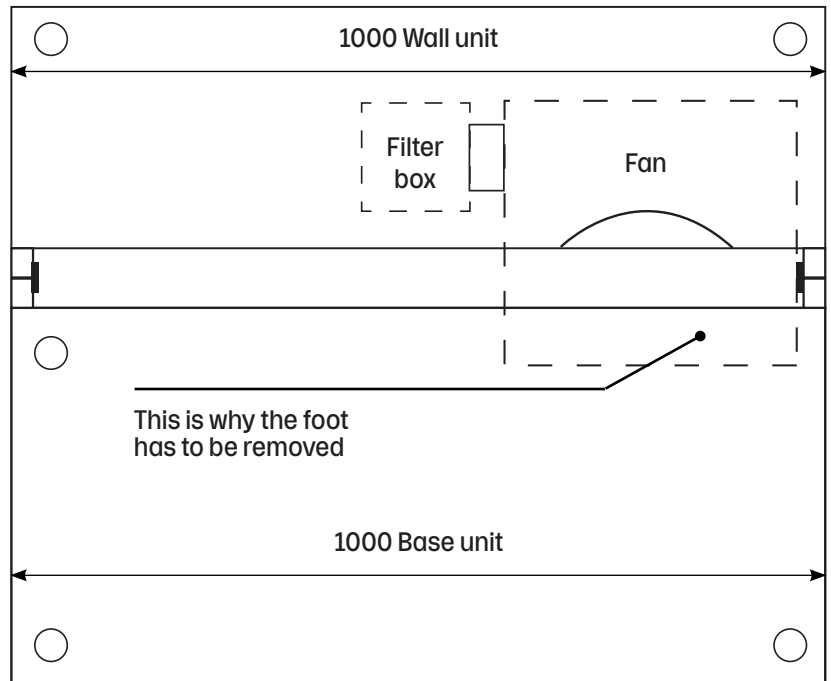
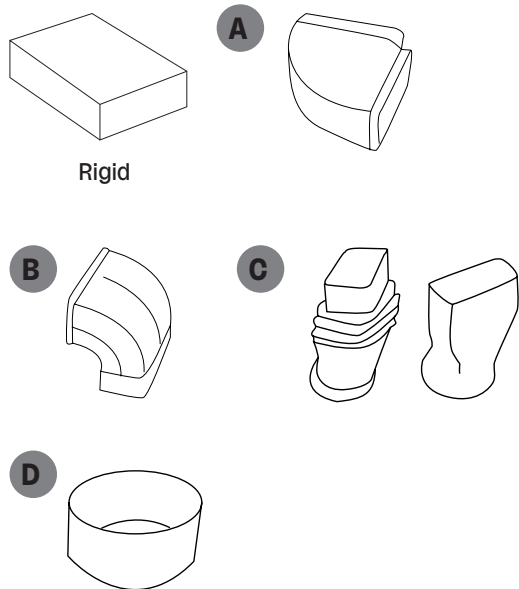
4. Tape the flexi ducting and **C** together and feed into the service void. Then join the wall and base cabinets together using fixing plates or timber offcuts.



5. Fit the fan motor into the carbon filter box.

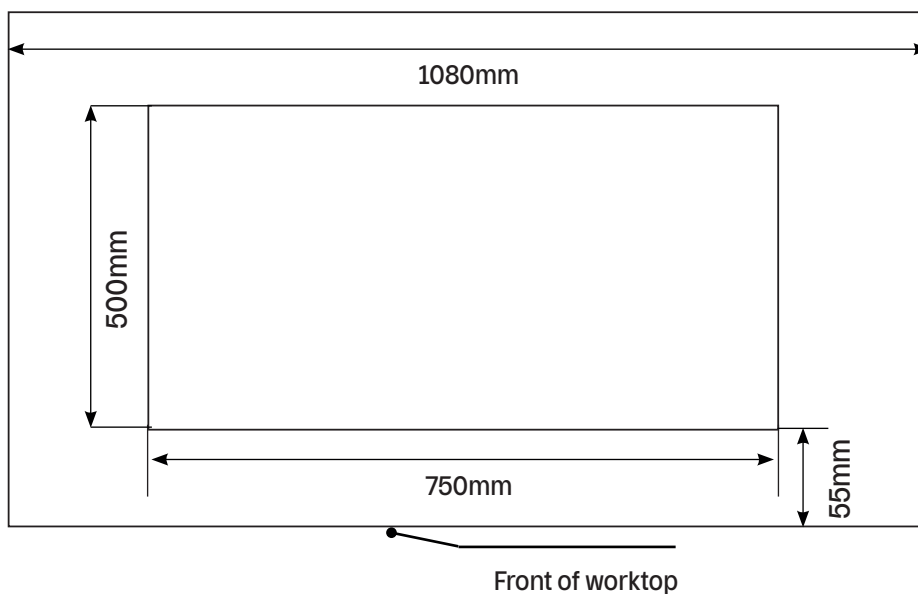
Fit **D** to the fan motor and position under the wall cabinet. Connect the flexi ducting to **D**.

Connect **B** (vertical 90°) to **C** flexi ducting, then cut a rigid rectangular pipe to 150mm long and fit it to **B**. Then fit **A** horizontal to the rigid pipe.

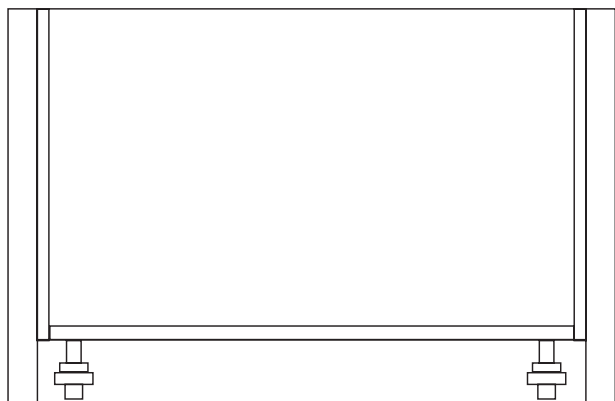


USE THE DUCTING TAPE PROVIDED TO SEAL ALL OF THE JOINTS.

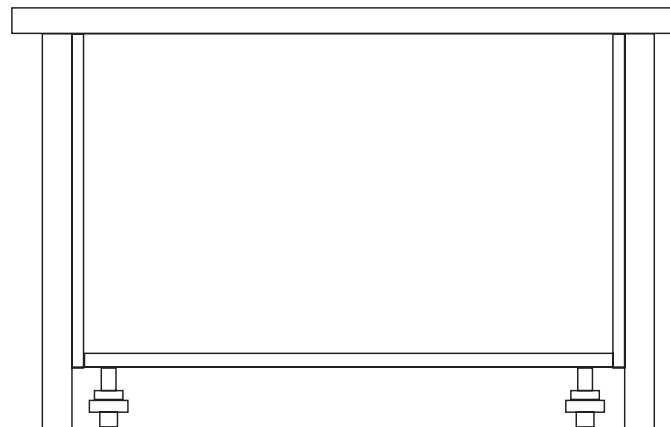
6. Cutting the breakfast bar(950mm) for the hob.



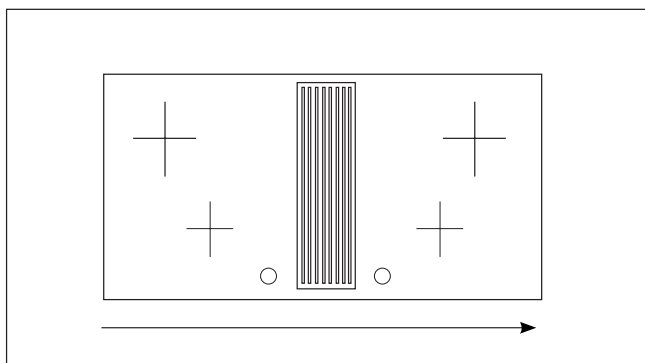
7. Position the island into its final location, route and fix decor ends to the island unit.



8. Fix the worktop to the island unit.



9. Position the hob into the cut out breakfast bar using the seal provided.

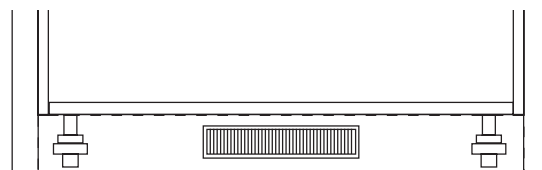


SLIDE THE HOB SIDeways INTO CUTOUT AND DUCTING AND GENTLY SLIDE INTO PLACE.

10. Connect the ducting to the hob and fix the hob into place using the brackets provided.

11. Plug the hob into the fan unit under the cabinet and connect the electrics.

12. Cut the plinth for a plinth vent on the rear of the island, **NOTE: FOR FILTER CHANGES YOU WILL HAVE TO REMOVE THE PLINTH.**



13. Fit the plinth to the front of the island then fit the vented plinth to the rear of the island as required.

14. Clean up, then power on and test.



LAM9500 Downdraft hob in 950 deep island

Installation Template

Please cut the below template out

