

# LAMONA

at the heart of the kitchen

## 60cm Conventional Hood

(White) LAM2104  
(Stainless Steel) LAM2105



## Instructions and Installation

Register   
my appliance

[www.howdens.com/appliance-registration](http://www.howdens.com/appliance-registration)

ISSUE v3. 030522



# Free 3 year guarantee

**Call now<sup>1</sup>**

Within the UK:

**0333 010 0009**

Within Republic of Ireland:

**01525 5752**

Alternatively, visit [www.howdens.com/appliance-registration](http://www.howdens.com/appliance-registration)

# LAMONA

**3 year guarantee available.  
Register your appliance within 90 days<sup>2</sup>**

**By registering your appliance and creating an account, we will keep you up to date with the latest product information and notify you immediately of any important product updates**

<sup>1</sup>Lines are open Monday to Friday 9am to 5pm. Calls will be charged at your local rate and may be recorded and monitored for training and quality purposes.

<sup>2</sup>So that in the event of an important product update, or recall, we can contact you.

**Register**   
**my appliance**

---

Dear Customer,

Congratulations on your choice of Lamona Conventional Hood.

**The user manual will help you use your product quickly and safely.**

- Please read this user manual before installing and using the hood.
- Always follow the safety instructions.
- Keep this user manual within easy reach for future reference.
- Please read any other documents supplied with the product.

**Explanation of symbols**

Throughout this user manual the following symbols are used:



Important information or useful tips about usage.



Warning for possible hazards to health and property.



Warning possibility of electric shock.



Technical specifications may be changed without prior notice to improve the quality of the product.



Figures in this manual are schematic and may not exactly match your product.

**Energy Efficiency**

In order to optimise efficiency of the product and reduce environmental impact we recommend the following:

- Product is installed in ducted configuration, using maximum Ø of ducting advised in this manual, ducting as straight and as short as possible.
- Any filters are cleaned/replaced when necessary to maintain good airflow and grease filter efficiency.
- Switch on the hood at the minimum speed required to clear unwanted cooking odours.
- Switch off lighting when not in use or not required.

**Metal Surfaces of the Hood and Condensation**

When cooking with pans using a large water content, large quantities of vapour and steam can be produced very quickly. This steam may condense onto the cold metallic surfaces of the hood and even the splash back area if tiled, glazed etc.

(This is not a fault with either the hob or hood if correctly installed.)

The amount of this condensation on any particular surface will depend on many factors including the ambient temperature in the kitchen, the related ambient temperature of the metal surfaces, the general ventilation within the kitchen, the type of food being cooked and the duration. Using lids on pans can help reduce the amount of steam being released and subsequent condensation.

This appliance is marked according to the European Directive 2012/19/EU on Waste Electrical and Electronic Equipment (WEEE). By ensuring this product is disposed of correctly you will help prevent potential negative consequences for the environment and human health. The symbol on this product indicates that this product may not be treated as household waste. Instead it should be handed over to the applicable collection point for recycling or electrical and electronic equipment. Disposal must be carried out in accordance with local environmental regulations for waste disposal. For more detailed information please contact your local council household waste site.

---

# Index

<b>Before using the hood</b>	<b>05</b>
<b>Safety</b>	<b>05</b>
General	05
Fire Safety	07
Safety for Children	07
Safety When Working With Electricity	08
<b>General Information &amp; Operation</b>	<b>10</b>
Hood Layout	10
Control Panel Layout	10
<b>Using Your Cooker Hood</b>	<b>11</b>
<b>Care and maintenance</b>	<b>12</b>
General Cleaning	12
Grease Filters	12
Carbon Filters	13
Lamps	14
<b>Installation</b>	<b>15</b>
Modes of Operation	15
Ducting to Exterior	15
Recirculating into Room	15
Before Beginning Installation	16
Installation Dimensions	17
Fittings	17
Cupboard Mount	18
Wall Mount	19
Electrical Connections	20
<b>Technical Specifications</b>	<b>21</b>
<b>Trouble Shooting</b>	<b>21</b>
<b>Your Guarantee</b>	<b>22</b>

---

## Before using the Hood

- Make sure that you have removed all packaging, wrappings, stickers and films from the Hood.
- It is recommended that you clean the hood's surface before using for the first time.

## Safety



This hood is for domestic kitchen extraction purposes only. It must not be used for other purposes (see guarantee page for definition).

The manufacturer shall not be liable for any damage caused by improper use, installation or handling errors.

## General

---

This product is not intended to be used by persons with physical, sensory or mental disorders or unlearned or inexperienced people (including children) unless they are supervised by a person who will be responsible for their safety or who will instruct them accordingly in the use of the product.

- Connect the product to an earthed outlet protected by a fuse of suitable capacity as stated in the "Technical specifications" table. Our company shall not be liable for any problems arising due to the product not being earthed

in accordance with the local regulations.

- Do not operate the product if the power cable is damaged. Call qualified service agent.
- Do not carry out any repairs or on the product. However, you may remedy some the problems that do not require any repairs or modifications. See Troubleshooting, at the rear of this manual.
- Never wash down the product with excessive water, as there is the risk of electric shock!

---

## General

---

- Never use the product when your judgment or coordination is impaired by the use of alcohol and/or drugs.
- Product must be disconnected from the mains during installation, maintenance, cleaning and repair procedures.
- Repair procedures must always be performed by qualified service agents. The manufacturer shall not be held responsible for damages arising from procedures carried out by unauthorised persons, which may also void the guarantee.
- Keep all ventilation slots clear of obstructions, as this may cause premature failure of the appliance
- Do not trap the mains cable and do not route it over surfaces which may become hot. The cable insulation may melt and cause a fire as a result of a short circuit.
- Make sure that the product function buttons are switched off after every use.
- Product must be installed by a qualified person in accordance with the local regulations in force otherwise, the guarantee may become void.
- The hood must be installed in accordance with the installation instructions and all measurements followed.
- If the cooker hood is installed for use above a gas appliance then the provision for ventilation must be in accordance with the Gas Safety Codes of Practice BS.6172, BS.5440 & BS.6891 (Natural Gas) and BS.5482 (LP Gas) 1994, the Gas Safety (Installation & Use) Regulations, the Building Regulations issued by the Department of the Environment, the Building Standards (Scotland) (Consolidated) Regulations issued by the Scottish Development Department.

---

## Important Safety Information

- When the hood is being used in Exterior Ducted mode, ensure that the ducting is fire retardant and that there are no bends greater than 90 degrees as this will reduce the efficiency of the hood.
- Ensure the ducting for the Exterior Ducted mode has the same diameter as the outlet hole all the way through.
- Always put lids on pans and ensure that pans are always on hobs when burners are lit.
- Remember that when in Exterior Ducted mode, your cooker hood is removing air from your room. Ensure that proper ventilation measures are being observed.

---

### Fire Safety

**When installing the hood, ensure that the following recommended minimum distances are observed between the highest point on the hob top (including the burners) and the bottom of the cooker hood:**

<b>Electric cookers:</b>	<b>650 mm</b>
<b>Gas cookers:</b>	<b>700 mm</b>
<b>Coal / oil cookers:</b>	<b>800 mm</b>

- Never flambé cook under this cooker hood.
- Dirty cooking oil is an even greater fire risk.
- Do not install above a cooker with a high level grill.

---

### Safety for Children

- This appliance can be used by children aged from 8 years and above and persons with reduced physical, sensory or mental capabilities or lack of experience and knowledge if they have been given supervision or instruction concerning use of the appliance in a safe way and understand the hazards involved. Children shall not play with the appliance. Cleaning and user maintenance shall not be made by children without supervision.
- The packaging materials will be dangerous for children. Keep

---

## Important Safety Information

### Safety for Children

---

the packaging materials away from children. Please dispose of all parts of the packaging according to environmental standards.

### Safety when working with electricity

---

- In case of any damage, switch off the product and disconnect it from the mains. To do this, turn off the fuse at the fuse box.
- Make sure that the fuse rating is compatible with the product.
- The appliance should be connected by a suitably qualified person in accordance with local legislation/regulations.
- Please dispose of the packing material carefully – children are especially vulnerable to it.
- If the room where the hood is to be used contains a fuel burning appliance such as a central heating boiler then its flue must be of the sealed or balanced flue type.
- If other types of flue or appliances are fitted, ensure that there is an adequate supply of air in the room.
- Keep young children from using, playing with or tampering with the cooker hood. Older children and infirm persons should be supervised if they are using the cooker hood.
- The manufacturer refuses to accept any responsibility for damages arising to the hood or it catching on fire, from a failure to observe the fire safety advice contained in this instruction booklet.
- Note: Your hood is designed to remove cooking odours from the room and not steam.



---

## Important Safety Information

- Never leave frying pans unattended during use as overheated fats and oils might catch fire.
- Warning - Always ensure that the hood has been disconnected from the power supply before carrying out any work.
- The lights on this appliance should only be used during operation of the hood. They should not be left on permanently and used as a lighting source.
- The hood should not be exposed to a direct heat source from the cooking device underneath it, i.e. a naked flame from a gas burner or heat from electric hob zones without a pan on them.
- Do not attempt to use the hood if it is damaged in any way. Never attempt to use it without the grease filters fitted or if the filters are excessively greasy!

**Do not set your cooker hood less 650mm above**



**your Electric Hob or 700mm above your Gas Hob.**

- When installed between adjoining wall cabinets, the cabinets must not overhang the hob.
- The edges of the cooker hood may be sharp - be mindful of this as you handle your appliance, especially during installation and cleaning.

**Do not clean behind the grease filter**



If the room where the cooker hood is to be used contains a fuel burning appliance such as a central heating boiler then its flue must be of the sealed or balanced flue type.

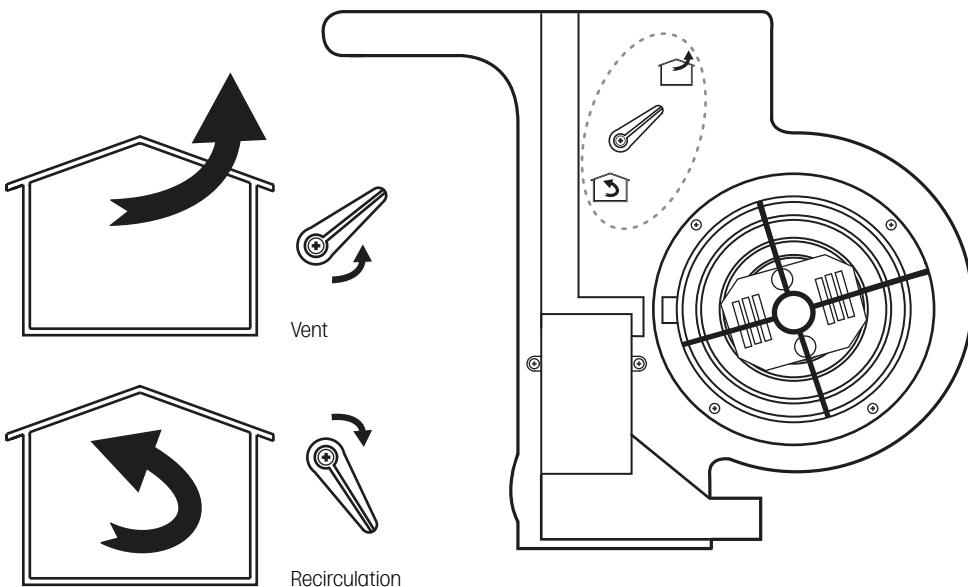
- If other types of flue or appliances are fitted, ensure that there is an adequate supply of air in the room.

---

## General Information & Operation

### Hood Layout

---




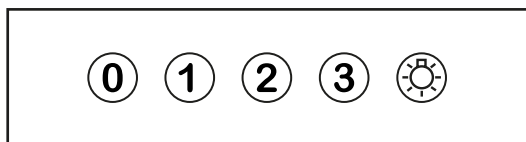
Select lever position related to the type of install.

For vented operation carbon filters are not used.

### Control Panel Layout

---

- 0** Hood OFF
- 1** Low Speed
- 2** Medium Speed
- 3** High Speed
-  Light



---

# Using Your Cooker Hood

Make sure that it has been installed by a suitably qualified person, as per the installation instructions.

## To Use Your Cooker Hood

---

### Light ON/OFF - push button control (see page 10)



Push once to turn light ON, push again to turn light OFF

### Speed control - push button control

0 = OFF

Speed 1 = Slowest

Speed 2 = Medium

Speed 3 = Fastest



Ideally you should turn on your hood ten minutes before you start to cook, or at the very least when you begin cooking. You should also run your hood for ten minutes after you have finished cooking.



Caution - Accessible parts may become hot when used with cooking appliances.

### Induction Hobs - Metal Surfaces of the Hood and Condensation

Large quantities of vapour and steam can be produced very quickly. This steam may condense onto the cold metallic surfaces of the hood and even the splash back area if tiled, glazed etc. (This is not a fault with either the hob or hood if correctly installed).

The amount of this condensation on any particular surface will depend on many factors including the general ventilation within the kitchen, the type of food being cooked and the duration. Using lids on pans can help reduce the amount of steam being released and subsequent condensation.

---

## Care and Maintenance



**Before cleaning or attempting any type of maintenance, always make sure that the electricity supply is disconnected.**

**To avoid the possibility of fire, adhere strictly to all of the recommendations included in this booklet, paying particular attention to the grease filters to ensure grease deposits do not build up.**

The manufacturer declines all liability in cases where the instructions for the appropriate installation, maintenance and use of the extractor hood are not observed.

If the power cable is cut or damaged in any way, disconnect the hood from the electricity supply and call the service number on the rear cover of this booklet or a suitably qualified repairer.

---

## General Cleaning

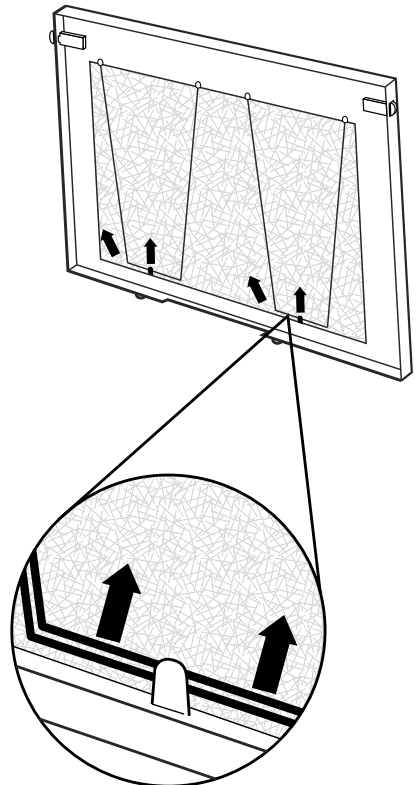
Wipe the external surfaces of the hood regularly using warm water and a mild detergent. NEVER use abrasive cleaners.

---

## The Grease Filters

Your hood includes a grease filter which helps to protect your kitchen & furniture from greasy residues by filtering out grease particles.

- Over time, the grease may become a risk if the greasy residue is allowed to build up.
- To prevent a hazard, the grease should be replaced.
- Depending on use, this should be done every 3-6 months.
- First remove filter cover by pushing the tabs and lifting down.
- Replace the grease filter with LAM2099.
- Allow the grease filter to dry completely before refitting.
- Reassemble in the reverse of the removal method.
- The hood must never be operated without the grease filter in position.



---

# Care and Maintenance

## The Carbon Filters

---

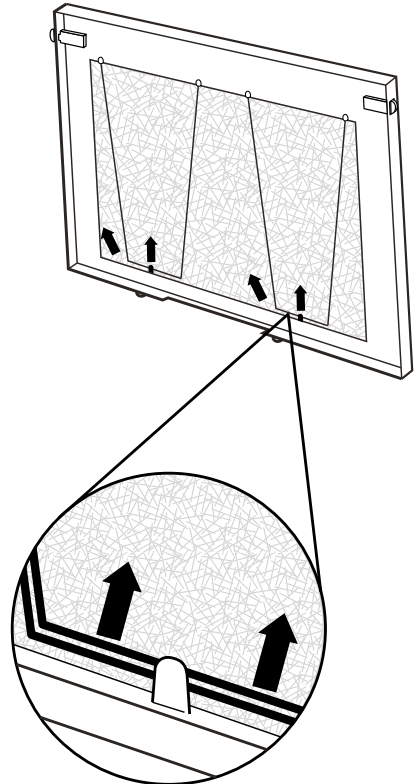
If the hood is going to be used in recirculation mode when it is necessary to fit carbon filters. This will help absorb odours caused by cooking.

Carbon filters have a limited life. We advise you to change them when there is a noticeable drop in performance. The intervals between changing the filter will depend entirely upon the amount of cooking you do, but on average they will last about 3-6 months.

- To gain access to the carbon filter, first of all open hood as described for changing the grease filters.
- Remove the old filter and install new carbon filter (LAM2009) over the top of the grease filter (LAM2099).
- The carbon filters are not washable and cannot be recycled.

### Changing the filters

1. Squeeze the wiring and lift up.
2. Remove the old filter.
3. Lay a new grease filter then carbon filter on the pan.
4. Re-secure the wires under the tabs.



---

## LED Lamp

---



**The lamps on this model are service fix only and replacement should be carried out by an authorised service agent.**

The extractor hood is fitted with a 2W LED lamp which will give you many years of reliable service. In the event of a lamp failing please call the service number (page 22)

Only use replacement lamps of types:

- LED: DBS-2/30-H-120/33
- Rectangle LED lamp 2W, AC 110-240V



The lamps on this appliance should only be used during operation of the cooker hood. They should not be left on permanently and used as a main lighting source. The hood is for domestic use only.

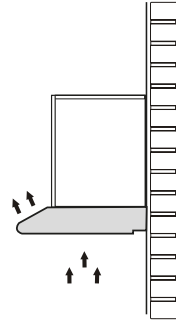
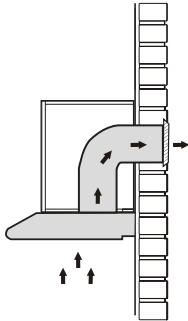
---

# Installation

## Methods of Venting

---

The very best method of clearing the kitchen of unwanted odours is by connecting the appliance to an exhaust duct and venting to the outside atmosphere via the ceiling or an exterior wall (suitable ducting kits may be purchased from the depot where you bought the hood). You do not need carbon filters when using the exterior ducting mode.




---

### Exterior Ducted Mode

Never use the hood in areas where devices with exhaust pipes connected to the outside are already operating unless perfect ventilation can be guaranteed.

- Connect the external ducting kit to the outlet of the hood.

 Charcoal filters are not required if the hood is to be ducted out.

- Do not connect the ducting system of this appliance to any existing ventilation system which is being used for any other purpose.
- Do not install above a cooker with a high level grill.
- The air must not be discharged into a flue that is used for exhausting fumes from appliances burning gas or other fuels (not applicable to appliances that only discharge the air back into the room).

#### Tips for ducting optimal air flow:

- Keep duct work short and straight.
- Do not reduce the size or diameter of the duct.
- Keep ductwork taut to minimise pressure loss.

---

### Recirculation Mode

For recirculation mode, attach carbon filters to the sides of the motor inside the hood.  
(Part reference LAM2009).



**Before attempting to change or fit the carbon filters ensure power to the hood is switched off.**

- Remove the filter panel and release wire rods.
- Align the carbon filter sheet on top of the grease filter sheet.
- Replace wire rods.
- Turn lever to recirculating position (See page 10)
- Replace the filter panel before the power supply is turned back on.
- Performance will be reduced when used in recirculation mode, or if using long lengths of ducting.

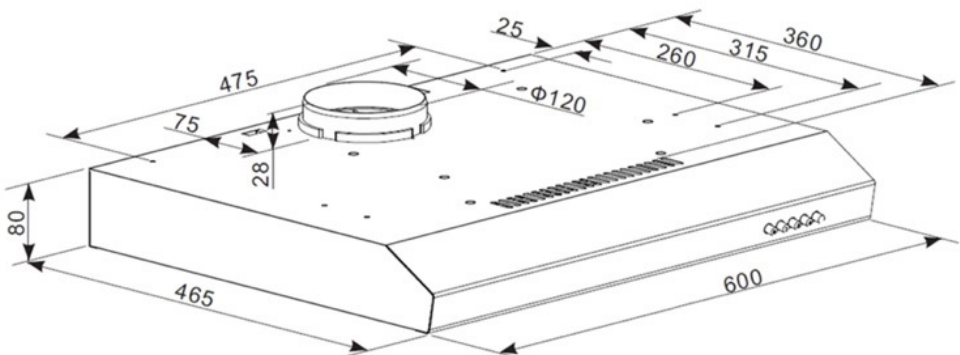
---

## Before Beginning Installation

---

- Check that the product purchased is of a suitable size for the chosen installation area. In addition check whether there is an electrical socket available that will be accessible once the hood is mounted. If the product is going to be used in Exterior Ducted Mode, then there should also be space to connect a ducting hose to the outside.
- Carry out all necessary masonry work prior to the fitting of the cooker hood and cabinetry.
- Ensure that all electrical connections are carried out by a suitably qualified person.
- Check inside the product and ensure that there is no transit packaging or any other materials, such as packets of screws, guarantees etc. These should be removed and kept for future use.
- Protect any hob already installed below with a blanket or cardboard etc, to prevent possible damage.

### Hood Dimensions



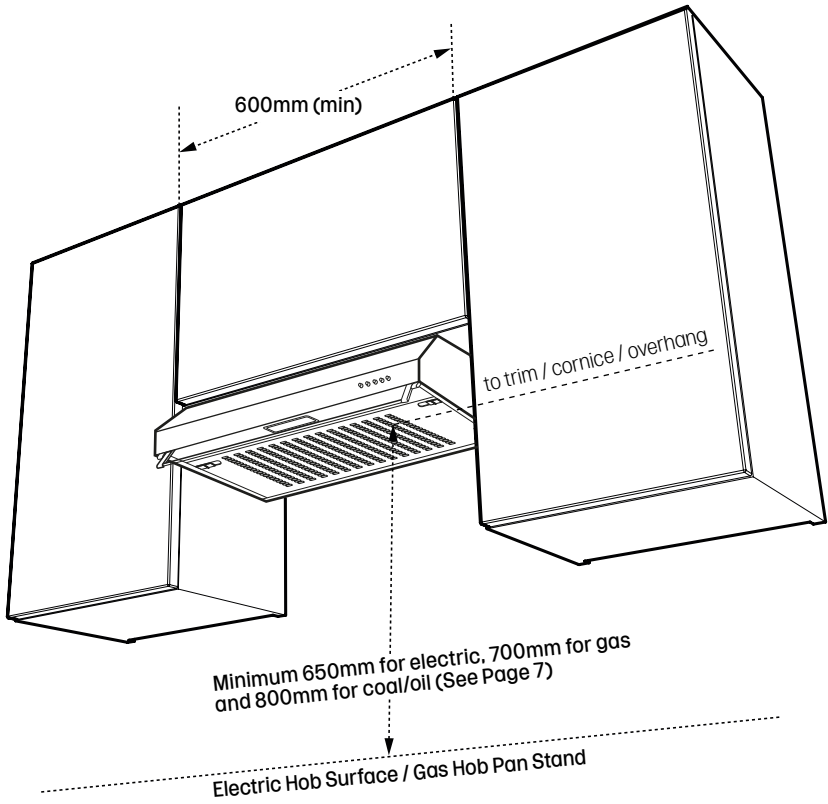
- **IMPORTANT:** The cooker hood is ducted from the top.
- The maximum distance between the cooker hood and your discharge outlet should be 3 metres, with one 90 degree bend. For each additional 90 degree bend, the maximum distance is reduced by a metre.



---

## Installation Dimensions

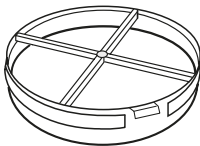
---



---

## Fittings

---



x1



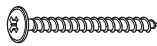
x8



x4



x4



x4



x4

---

## Installing Your Cooker Hood Under a Cabinet

---

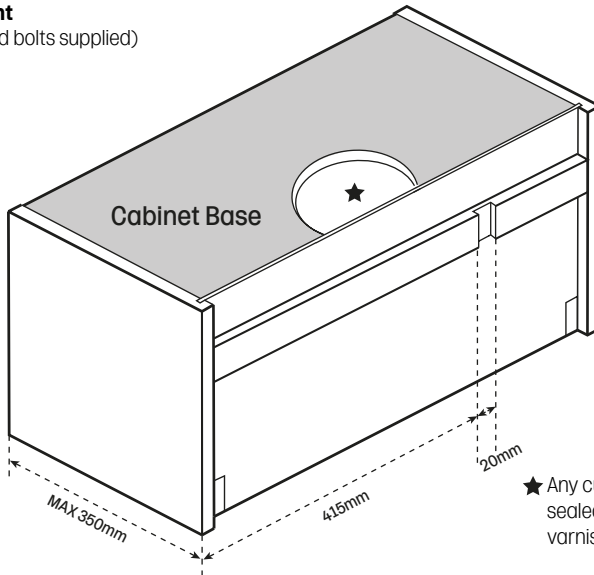


**You will have to decide before installing your cooker hood whether to use it in extraction mode or recirculation mode.**

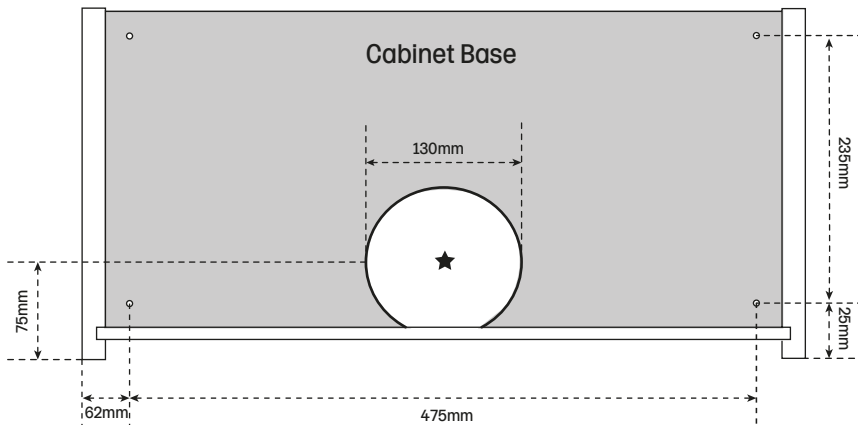
We suggest the easiest way of installing the hood is fastening the hood to the underside of the wall unit before mounting the wall unit to the wall. This allows the easier marking of all fixing holes and cutting of vent holes etc.

### Cupboard Mount

(Using screws and bolts supplied)



★ Any cut edges should be sealed with a water proof varnish or PVA.



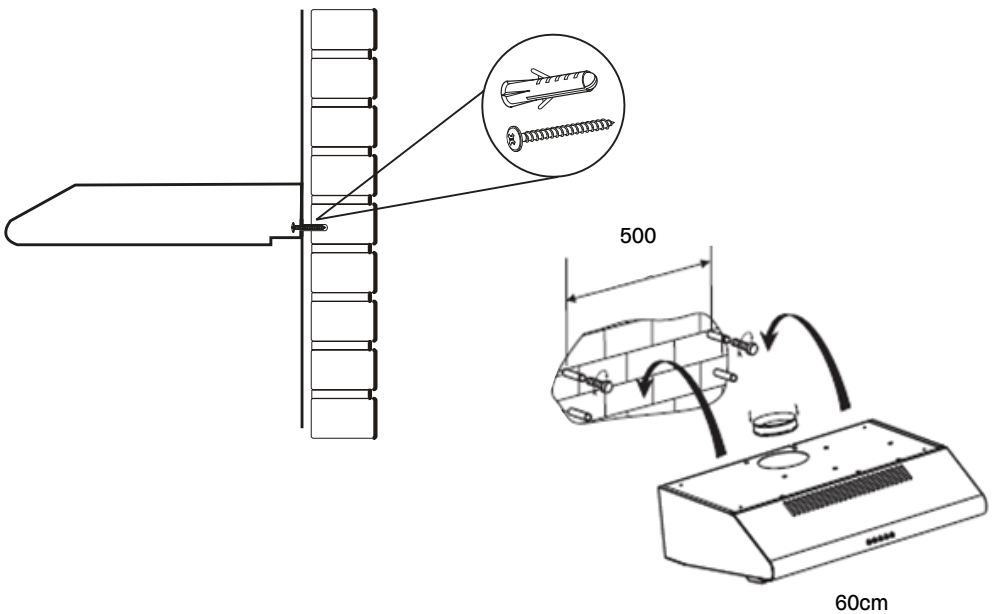
★ Cut out for top vented installation

---

## Installing Your Cooker Hood

---

- Remove the filters (see page 12) and cover.
- Hold the hood against the wall in the intended position and mark position of the screw holes that are to be drilled.
- Using an 8mm diameter drill, drill holes in the wall in these positions.
- Insert rawl plugs into all the holes that you have drilled.
- Screw in the upper set of screws leaving 10mm protruding out of the wall.
- Hang the hood onto the upper screws and then tighten them.
- Screw the lower screws through the relevant holes in the cooker hood and fully tighten them.



(Ensure the fixings screws are suitable for the wall construction)

---

## Electrical Connections

---



**IMPORTANT: Ensure that the electricity supply is switched off before connecting.**

Your appliance must be connected to fixed wiring via the use of a double pole switched fused spur outlet with at least 3mm contact separation. The isolation switch must be accessible after installation. (See technical data for fuse rating). We recommend the use of an RCD device as additional protection.

**The appliance should be connected by a suitably qualified person in accordance with local legislation/regulations.**

The terminology DOUBLE POLE -/+ means that both the live and neutral supplies are switched and disconnected at the same time.

The terminations labelled SUPPLY are the connections for the internal house wiring and the terminations labelled LOAD are for connection to the appliance.

**IMPORTANT: The wires in the mains lead are coloured in accordance with the following code:-**  
**Blue.....Neutral**  
**Brown.....Live**

As the colours of the wires in the mains lead of this appliance may not correspond with the coloured markings identifying the terminals in your spur box, proceed as follows;

**The wire which is coloured blue must be connected to the terminal which is marked with the letter 'N' or coloured BLACK. The wire which is coloured brown must be connected to the terminal which is marked with the letter 'L' or coloured RED.**

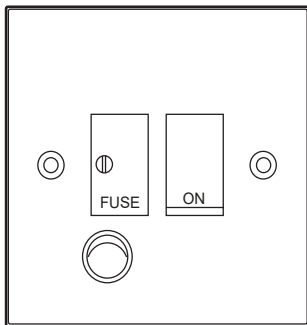


Fig 3.

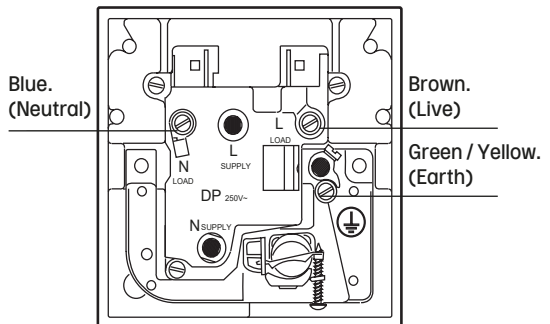


Fig 4.

# Troubleshooting

TROUBLESHOOTING GUIDE		
Symptoms	Possible Cause	Solutions
<b>Light functions but fan does not</b>	<ul style="list-style-type: none"> <li>Motor temp has exceeded and thermal fuse has tripped.</li> </ul>	<ul style="list-style-type: none"> <li>Switch off the hood and allow it to cool down and the fuse will auto reset.</li> <li>Check the filter condition and clean or replace as required.</li> </ul>
<b>Lamps fail to operate?</b>	<ul style="list-style-type: none"> <li>Lamps internal fault.</li> <li>Power is cut (hood will not function).</li> <li>Lamp has passed its usable life.</li> </ul>	Call the authorised service agent.
<b>Motor is on but fan does not seem to be as efficient as usual?</b>	<ul style="list-style-type: none"> <li>Clogged filters can reduce the product's efficiency. Check the grease and charcoal filters (if fitted) also ensure any venting is not obstructed?</li> </ul>	Replace any grease and carbon filters
<b>The hood works normally but smells linger?</b>	<ul style="list-style-type: none"> <li>Clogged filters can reduce the product's efficiency and may cause unwanted smells.</li> </ul>	Replace any grease and carbon filters
<b>Product does not operate?</b>	<ul style="list-style-type: none"> <li>The mains fuse maybe defective or has tripped</li> <li>Product is not connected properly.</li> </ul>	Check fuses in the fuse box. If necessary, replace or reset them.  Check all power connections.



If you cannot eliminate the problem after following the instructions in this section, consult your depot or the Authorized Service Agent. Never try to repair a nonfunctional product yourself.

## Technical Specification

TROUBLESHOOTING GUIDE	
Dimensions:	
Total Wattage:	87W
Voltage:	220V - 240V 50Hz
Width:	600mm
Depth:	465mm
Height:	80mm
Your Cooker Hood is fitted with:	
Single 85W motor	
Push button control	
3 Speed extraction	
1 x 2W 3000K warm white LED	
1 x Paper type grease filter	LAM2099
Optional Extras:	
Carbon filter:	LAM2009
Ducting kits :	APL 2805/6

---

## Your Guarantee

### Product Guarantee Details (UK only)

---

**Your appliance has the benefit of a comprehensive manufacturer's guarantee which covers the cost of breakdown repairs. (Details of which are shown on your Proof of Purchase Document).**

- Any claim during the period of the guarantee **MUST BE ACCOMPANIED BY THE PROOF OF PURCHASE.**
- The product must be correctly installed and operated in accordance with the manufacturer's instructions and used for normal domestic purposes.
- This guarantee does not cover accidental damage, misuse or alterations which are likely to affect the product.
- The guarantee is invalid if the product is tampered with, or repaired by any unauthorised person. *(The guarantee in no way affects your statutory or legal rights).*

### What to do if you need to report a problem

---

Please ensure you have ready:

- The product's model and serial numbers.
- Howdens Proof of Purchase Document.
- Your full contact details.

**Call the Depot number on your Proof of Purchase Document supplied with the product/kitchen.**

**or**

**Call the LAMONA Service Line on:**

**Within the UK: 0344 460 0006**

**Within Republic of Ireland: 01525 5703**

- Product installed within a domestic kitchen or a non-domestic kitchen where 8 or fewer people are using the appliance.

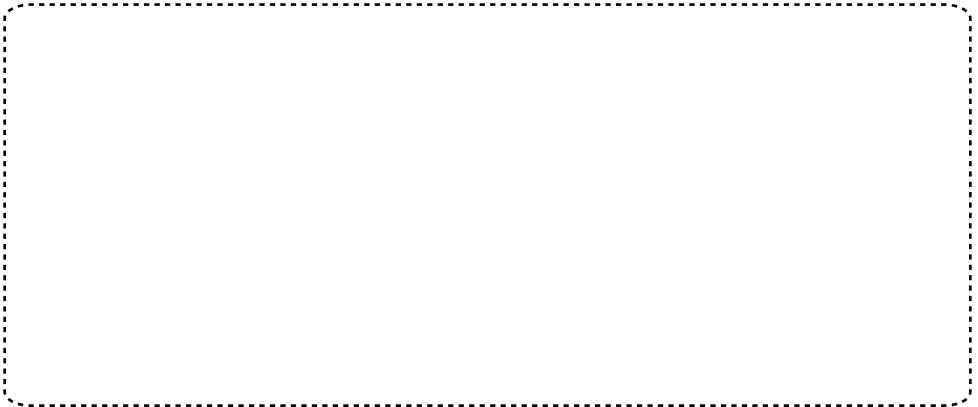
Where to find model and serial number on your appliance.	Remove filter cover - Sticker is in the motor cavit area.
--	---

**Spare Parts availability – 10 years**

**Only fit Genuine Spare Parts**

**[www.lamonaspares.co.uk](http://www.lamonaspares.co.uk)** (UK only)

---



Product serial number  
(Place sticker here)

# LAMONA

at the heart of the kitchen



FR

Cet appareil  
se recycle

REPRISE  
À LA LIVRAISON



OU

À DÉPOSER  
EN MAGASIN



OU

À DÉPOSER  
EN DÉCHÈTERIE



Points de collecte sur [www.quefairedemesdechets.fr](http://www.quefairedemesdechets.fr)  
Privilégiez la réparation ou le don de votre appareil!

Howden Joinery Ltd, Thorpe Road, Howden, East Yorkshire, DN14 7PA

Imported in EU by: Houdan Cuisines SAS, Z.A. du Bois Rigault Nord,  
1Rue Calmette, 62880 Vendin-le-Vieil, Cedex, France.

Product information correct at the time of publication in March 2022.  
The company has a policy of continuous product development and  
reserves the right to change any products and specifications given in  
this manual. Subject to the Terms and Conditions of Trading, a copy of  
the Howdens Terms and Conditions is available upon request.

Copyright © 2022 Howden Joinery Ltd. All rights reserved.