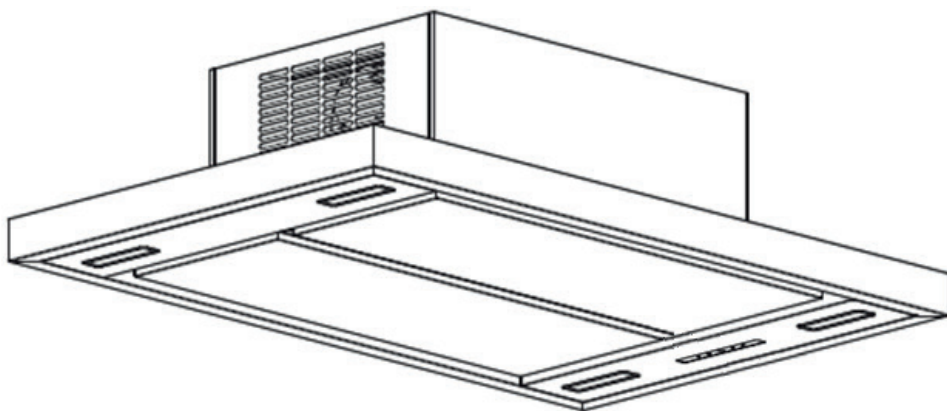


LAMONA CEILING HOOD



LAMONA

EXCLUSIVE TO HOWDENS

WWW.HOWDENS.COM

Register my appliance

Register your Lamona appliance purchased from Howdens Joinery to allow us to easily contact you in the event of important product updates at:

www.howdens.com/appliance-registration

LAMONA

Exclusive to Howdens Joinery Co.

See back page for product serial number

Dear Customer,

Congratulations on your choice of Lamona Ceiling Hood.

The user manual will help you use your product quickly and safely.

- Please read this user manual before installing and using the hood.
- Always follow the safety instructions.
- Keep this user manual within easy reach for future reference.
- Please read any other documents supplied with the product.

Explanation of symbols

Throughout this user manual the following symbols are used:



Important information or useful tips about usage.



Warning for possible hazards to health and property.



Warning possibility of electric shock.

Energy Efficiency

In order to optimise efficiency of the product and reduce environmental impact we recommend the following:

- Product is installed in ducted configuration, using maximum \emptyset of ducting advised in this manual, ducting as straight and as short as possible.
- Any filters are cleaned/replaced when necessary to maintain good airflow and grease filter efficiency.
- Switch on the hood at the minimum speed required to clear unwanted cooking odours.
- Switch off lighting when not in use or not required.

Metal Surfaces of the Hood and Condensation

When cooking with pans using a large water content, large quantities of vapour and steam can be produced very quickly. This steam may condense onto the cold metallic surfaces of the hood and even the splash back area if tiled, glazed etc.

(This is not a fault with either the hob or hood if correctly installed.)

The amount of this condensation on any particular surface will depend on many factors including the ambient temperature in the kitchen, the related ambient temperature of the metal surfaces, the general ventilation within the kitchen, the type of food being cooked and the duration. Using lids on pans can help reduce the amount of steam being released and subsequent condensation.



This appliance is marked according to the European Directive 2012/19/EU on Waste Electrical and Electronic Equipment (WEEE). By ensuring this product is disposed of correctly you will help prevent potential negative consequences for the environment and human health. The symbol on this product indicates that this product may not be treated as household waste. Instead it should be handed over to the applicable collection point for recycling or electrical and electronic equipment. Disposal must be carried out in accordance with local environmental regulations for waste disposal. For more detailed information please contact your local council household waste site.



By placing the marking on this product, we declare, on our own responsibility, compliance to all of European safety, health and environmental requirements stated in the legislation for this product.

Contents

Before using the hood	05	Surface Mounted	
Safety	05	Recirculating installation	16
Fire safety	06	Electrical Connections	17
Ventilation	06	Fitting Carbon Filters	18
Important safety information	07	Connecting the Remote Control	18
Electrical safety	07	Installation	19
General Information & Operation	08	Recessed ducted installation	19
Ceiling Hood Layout	08	Void Requirements	19
Control Panel Layout	08	Electrical connections	20
		Ducting Connections	21
		Connecting the Remote Control	21
Using Your Ceiling Hood	09	Technical Specifications	21
Speed selection	09	Trouble Shooting	21
Light control	09	Your Guarantee	22
Remote controls	09		
Battery	10		
Connecting the remote control	10		
Care and maintenance	11		
General cleaning	11		
Grease filters	11		
Carbon filters	12		
Replacing the lamps	13		
Installation	14		
Methods of extraction	14		
Extraction via ducting	14		
Extraction via recirculation	14		
Before beginning installation	15		

Before using the Ceiling Hood

- Make sure that you have removed all packaging, wrappings, stickers and films from the Hood.
- It is recommended that you clean the hood's surface before using for the first time.

Safety

Important!

Always switch off the electricity supply at the mains during installation, maintenance and cleaning.

- This appliance can be used by children aged from 8 years and above and persons with reduced physical, sensory or mental capabilities or lack of experience and knowledge if they have been given supervision or instruction concerning use of the appliance in a safe way and understand the hazards involved. Children shall not play with the appliance. Cleaning and user maintenance shall not be made by children with-out supervision.

- **Caution:** The appliance and its accessible parts can become hot during operation. Children younger than 8 years old should stay away unless they are under permanent supervision.

- The Ceiling Hood must be installed in accordance with the instructions and all measurements followed.

- All installation work must be carried out by a competent person or qualified electrician.

- Please dispose of the packing material carefully. Children are vulnerable to it.

- Pay attention to the sharp edges inside the Ceiling Hood especially during installation and cleaning.

- If the Ceiling Hood is damaged, do not attempt to use.

- If the supply cord is damaged, it must be replaced by the manufacturer, its service agent or similarly qualified persons in order to avoid a hazard.

- Ceiling Hood is for domestic use only (see guarantee page for definition).

- Use suitable and appropriate fittings for mounting the hood.

Important Safety Information

Fire Safety

- Do not leave frying pans unattended during use because overheated fats or oils might catch fire.
- Never leave naked flames under the Ceiling Hood.
- There is a fire risk if cleaning is not carried out in accordance with the instructions.
- Do not flambé under the Ceiling Hood.
- Do not use the Ceiling Hood without the Grease filters in place.
- The minimum distance between the pan supports on the hob and the lowest part of the Ceiling Hood. (min 650mm for electric hobs, min 750mm for gas hobs, min 800mm for coal or oil hobs)

Ventilation

- There shall be adequate ventilation of the room when the Ceiling Hood is used at the same time as appliances burning gas or other fuels.

- When in extraction mode, air in the room is being removed by the Ceiling Hood. Please make sure that proper ventilation measures are being observed. The Ceiling Hood removes odours from room but not steam.

- The air must not be discharged into a flue that is used for exhausting fumes from appliances burning gas or other fuels.

- Make sure the ducting has no bends sharper than 90 degrees as this will reduce the efficiency of the Ceiling Hood (max duct length 3m, 150mm Ø).

- Always put lids on pots and pans when cooking.

- Large quantities of vapour and steam can be produced very quickly. This steam may condense onto the cold metallic surfaces of the Ceiling Hood (This is not a fault with either the hob or Ceiling Hood if correctly installed.) The amount of this condensation on any particular surface will depend on many factors including the general ventilation within the kitchen, the type of food being cooked and the duration.

Important Safety Information

Using lids on pans can help reduce the amount of steam being released

and subsequent condensation.

Induction hobs offer a powerful, more efficient heating process but do not generate the higher levels of ambient heat that would normally help dissipate vapour and steam as with older hob technology.

- The manufacturer refuses to accept any responsibility for damage to or damages arising from failure to observe these instructions.

- Ensure the ducting for Ceiling Hood has the same diameter all the way through and at the outlet.

- If the Ceiling Hood is installed for use above a gas appliance then the provision for ventilation must be in accordance with the Gas Safety Codes of Practice BS.6172, BS.5440 & BS.6891 (Natural Gas) and BS.5482 (LP Gas) 1994, the Gas Safety (Installation & Use) Regulations, the Building Regulations issued by the Department of the Environment, the Building Standards (Scotland) (Consolidated) Regulations issued by the Scottish Development Department.

- Do not use high level grills or BBQ type products under this Ceiling Hood.

- Do not operate the ceiling hood with the access flaps in the open position.

- Do not operate the ceiling hood without the grease filters in place.

Electrical Safety

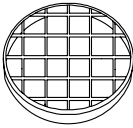
- In case of any damage, switch off the product and disconnect it from the mains. To do this, turn off the fuse at the fuse box. Make sure that fuse rating is compatible with the product.

General Information & Operation

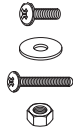
Hood Contents



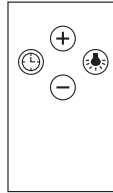
Reducer



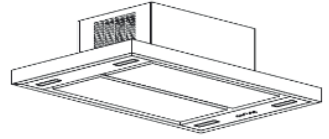
Cable Grid



Fixings



Remote Control
(1 X CR2025 Battery Supplied)

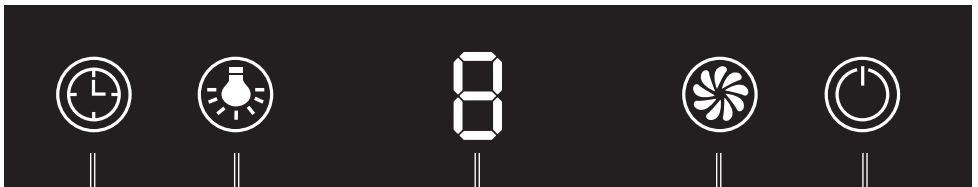


Hood and
Décor Panels



2x Installation Chains

Control Panel Layout



Timer



Light



Display



Speed



on/off



Touch the on/off button to switch the hood on or put it in standby mode.



Touch the light button, to turn the task lighting on/off, this is controlled separately and will not effect any other functions.



Touch the timer button, to turn the timer function on/off. Timer function will run for a period 9 of minutes and will switch the hood off.



Touch the speed button to switch the fan on to speed 1 - Low, 2nd press for speed 2 - Normal, 3rd press for speed 3 - intensive.

Note: after 7 minutes intensive speed 3 will automatically revert to speed 2.

Using Your Ceiling Hood

Make sure that it has been installed by a suitably qualified person, as per the installation instructions.



Ideally you should turn on your hood ten minutes before you start to cook, or at the very least when you begin cooking. You should also run your hood for ten minutes after you have finished cooking.



Caution - Accessible parts may become hot when used with cooking appliances.

Induction Hobs - Metal Surfaces of the Hood and Condensation

Large quantities of vapour and steam can be produced very quickly. This steam may condense onto the cold metallic surfaces of the Ceiling Hood and even the splash back area if tiled, glazed etc. (This is not a fault with either the hob or Ceiling Hood if correctly installed).

The amount of this condensation on any particular surface will depend on many factors including the general ventilation within the kitchen, the type of food being cooked and the duration. Using lids on pans can help reduce the amount of steam being released and subsequent condensation. Induction hobs offer a powerful, more efficient heating process but do not generate the higher levels of ambient heat that would normally help dissipate vapour and steam as with older hob technology.

Speed Selection

- If you press the selection button once, the motor will run at low speed.
- Press the speed selection button twice and the motor will run at medium speed.
- Press the speed selection button three times and the motor will run at high speed. Another press of the button will return the motor to low speed.
- To turn off the hood, press the on/off button. The speed and power symbols will disappear.
- When you next press the on/off button, the Ceiling Hood will continue working at the speed it last selected set on. **Note: Speed 3 is an intensive/boost setting and will automatically revert to speed 2 after 7 minutes**

Light Control

- Touch the light on/off button once, to turn on the Ceiling Hood lights and touch again to turn off.

Remote Controls



Press the button once, the light activates, press the button again, the light will be turned off. The lighting button is controlled separately and will not effect any other functions.



Turning On / Increasing Fan Speed:

1st Press, LOW speed, 2nd Press, MEDIUM speed, 3rd Press, Intensive speed



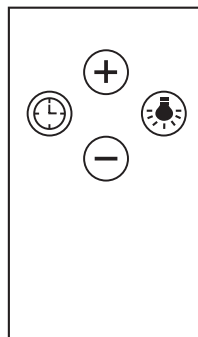
Turning Off / Decreasing Fan Speed

Press the button and the motor begins to adjust to a lower setting and the LCD screen displays the speed. If it is pressed again it will decrease to the 'off' setting.



Timer

Press the timer button, this turns the timer setting function on / off. Timer function will run for a period of 9 minutes, at the end the cooker hood will switch off.



Battery

The remote control requires a CR2025 battery. The battery can be accessed from the bottom, as shown in the below picture.

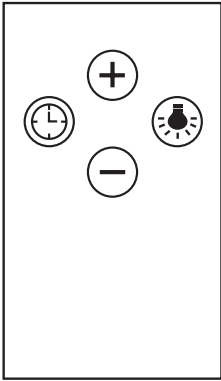
Carefully release the tab and pull the battery tray out.

+ve side faces the bottom of the remote



Connecting The Remote Control

A new remote control has to establish a connection to the Ceiling Hood when used for the first time. And may need to be repeated if the mains supply has been disconnected for a prolonged period or if the remote battery has been replaced.



Connection Process Between Remote Control And Ceiling Hood:

1. within 15 seconds after ceiling hood connects to the power supply, long press for ⌚ 5 seconds, the indicator lights begin flashing from one button to another:- the Ceiling Hood is in connection mode. The press any button on the remote control to confirm the connection. The connection process is finished and the remote can be used for speed selection, lighting and timer setting.

2. If you want to connect again you will need to clear the code that has been entered previously:

3. To clear the code: Press the ⌚ for 5 seconds, the indicator lights begin flashing one button to another:- the cooker is in connection mode. Then, press the ⌚ for 5 seconds immediately again: the previous connection code is cleared

4. When the previous code has been, the ceiling hood back to standby mode, press ⌚ for 5 seconds:- the indicator lights begin flashing from one button to another:- the Ceiling Hood is in connection mode. Then press any button of the remote control to confirm connection.

Care and Maintenance



Before cleaning or attempting any type of maintenance, always make sure that the electricity supply is disconnected.

To avoid the possibility of fire, adhere strictly to all of the recommendations included in this booklet, paying particular attention to the grease filters to ensure grease deposits do not build up

The manufacturer declines all liability in cases where the instructions for the appropriate installation, maintenance and use of the Ceiling Hood are not observed.

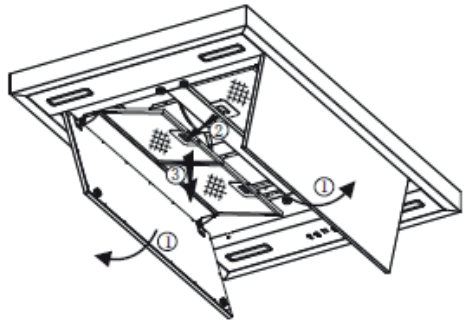
General Cleaning

Wipe the external surfaces of the appliance regularly using warm water and a mild detergent.
NEVER use abrasive cleaners.

The Grease Filters

Your Ceiling Hood includes grease filters which helps to protect your kitchen & furniture from greasy residues by filtering out grease particles.

- Over time, the grease may become a risk if the greasy residue is allowed to build up.
- To prevent a fire hazard, the grease filter should be cleaned.
- Depending on use, this should be done every 3months.
- First remove the grease filters by pushing the in the button on the handle and pulling the filter away from the Ceiling Hood.
- Soak the grease filters in hot water and washing up liquid for at least 3 minutes. The use a soft brush to loosen any grease deposits that have formed. Rinse the filters thoroughly with hot water. Repeat the process if necessary.
- Allow the grease filter to dry completely before refitting
- The Ceiling Hood must never be operated without the grease filter in position.
- If grease filters are washed in a dishwasher (60°C) the plastic may discolour



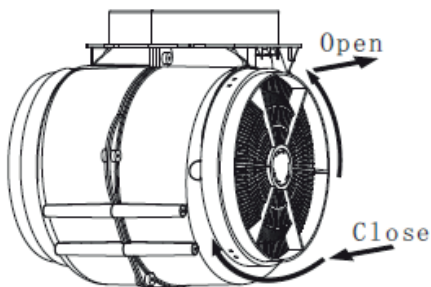
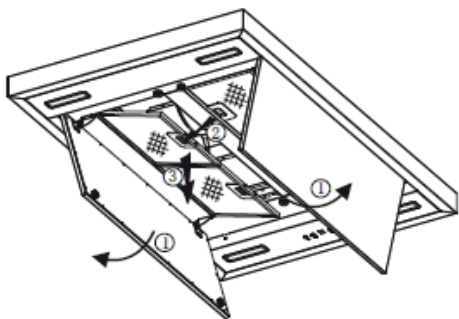
The Carbon Filter

If the appliance is going to be used in recirculation mode then it is necessary to fit carbon filter. This will help absorb odours caused by cooking.

Carbon filters have a limited life. We advise you to change them when there is a noticeable drop in performance. The intervals between changing the filter will depend entirely upon the amount of cooking you do, but on average they will last about 3-6 months.

Before installing or replacing the carbon filters, please remove power to the unit.

1. Open the access flaps on the underside of the ceiling hood.
2. Press the lock on the filter frames and remove all the grease filters for ease of access.
3. Turn the carbon filter on both side of the motor anti-clockwise and remove the filter.
4. Replace the carbon filters by locating on the central spigot and turn clockwise.
5. Replace the mesh filters by locating the rear lugs in first and then pushing into place ensuring the lock is properly engaged.
6. Close the access flaps on the underside of the ceiling hood
7. Connect the power supply to the wall socket.



NOTE: Carbon filters will reduce the suction power of the appliance, they are designed to remove smells and cooking odours, they will not remove moisture or condensation from the air.

LAM2950 Uses Carbon Filter HJA2906 (2Pk)

Replacing the Lamps

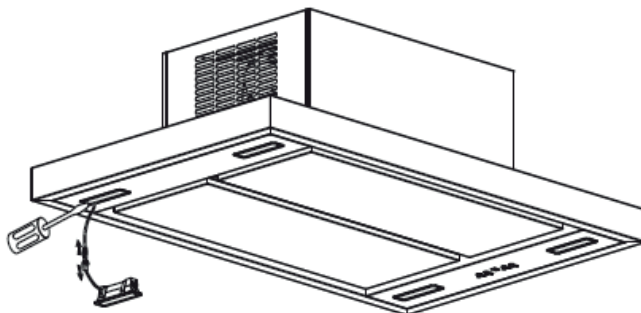
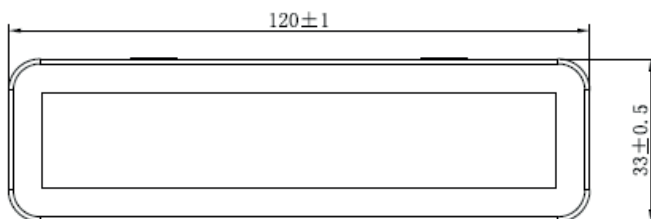
- This appliance is fitted with energy efficient LED Lamps designed to last the life of the product
- Before working on the appliance, make sure that the mains supply is switched off & it has completely cooled down.
- Always use appropriate PPE when cleaning, maintaining or installing this appliance.

Changing the lights:

1. Use a flat headed screwdriver to pry out the lamp along the edge of the lamp hole.
2. Slowly pull the light connecting wire out, and disconnect the terminal block.
3. Connect the new lamp unit to the terminal and push it back into place being careful not to trap the cable .

Please see the Lamona warranty information page at the rear of this booklet for more information on obtaining spares.

- ILCOS D code for this lamp is: DSS-1.5/30-S-120/33
- LED modules -rectangle lamp
- Max wattage: 4x1.5 W
- Voltage range: DC 12V
- Dimensions:

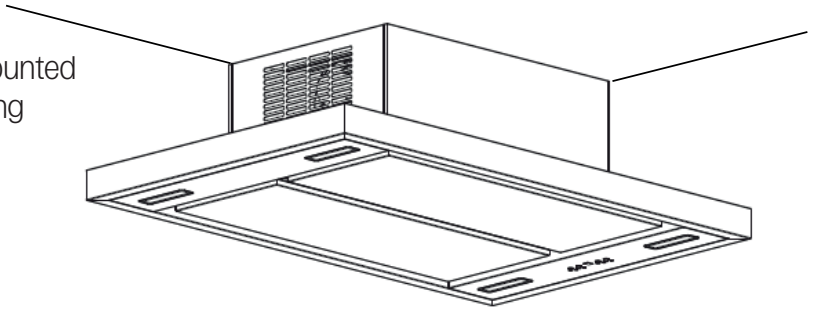


Installation

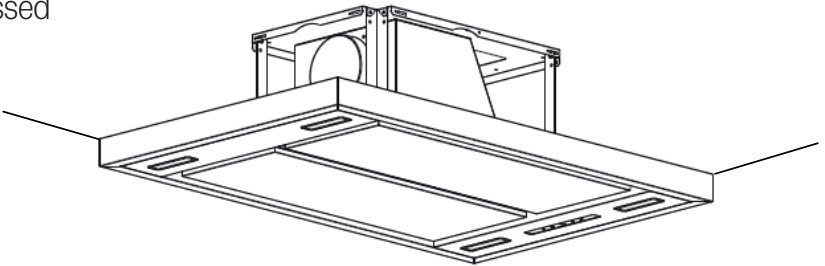
Methods of Extraction

The very best method of clearing the kitchen of unwanted odours is by connecting the appliance to an exhaust duct and venting to the outside atmosphere via the ceiling.

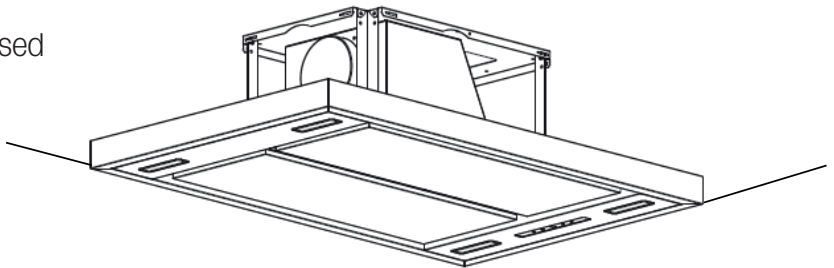
Surface Mounted
Recirculating



Semi Recessed
Ducted



Fully Recessed
Ducted



Before Beginning Installation



Check that the product purchased is of a suitable size for the chosen installation area. In addition check whether there is an electrical socket available that will be accessible once the hood is mounted.

If the product is going to be used in extraction mode, then there should also be space to connect a ducting hose to the outside.



Carry out all necessary masonry work prior to the of the Ceiling Hood and cabinetry.



Ensure that all electrical connections are carried out by a suitably person.

- Check inside the product and ensure that there is no transit packaging or any other materials, such as packets of screws, guarantees etc. These should be removed and kept for future use.



Protect any hob already installed below with a blanket or cardboard etc, to prevent possible damage.

- The maximum distance between the Ceiling Hood and your discharge outlet should be 3 metres, with one 90 degree bend. For each additional 90 degree bend, the maximum distance is reduced by a metre. Use 150mm ducting for optimum performance.



Use appropriate fixings for ceiling construction type.

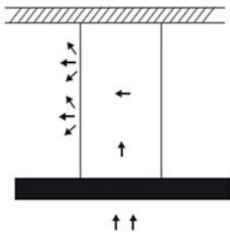


The ceiling must be able to bear a minimum loading of 120kg and have a minimum thickness of at least 30mm.

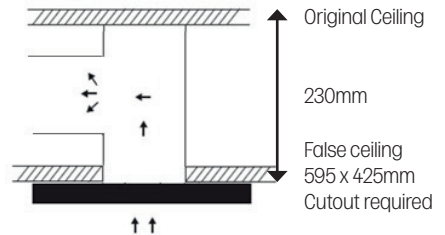


Appropriate measures should be taken in order to maintain any existing firewalls, in accordance with all local and national building regulations. If in doubt seek advice from your building control office.

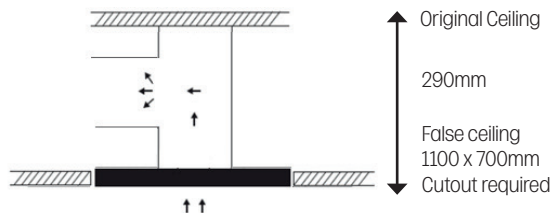
Surface Mount - Recirculating



Semi Recessed - Ducted

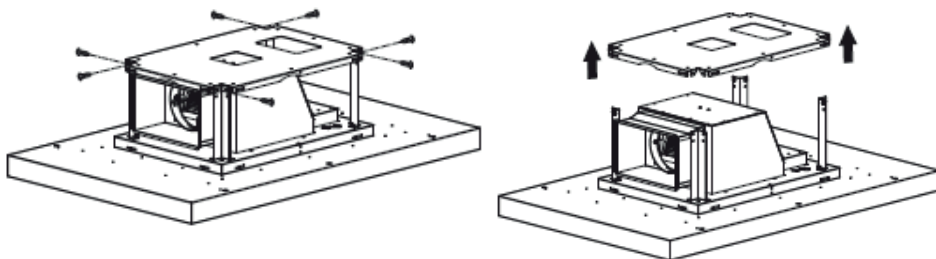


Fully Recessed - Ducted



Surface mounted installation (Recirculating)

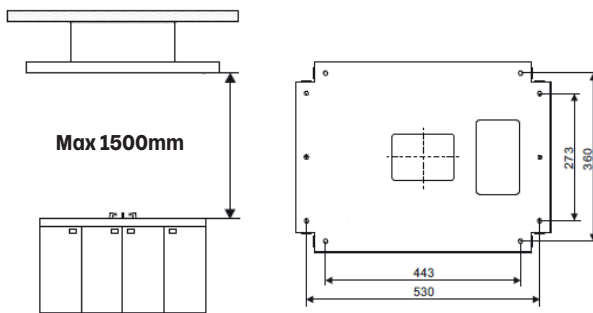
1) Unscrew 8 pcs M4*12mm screws from the mounting plate and keep them to one side. Remove the mounting plate noting the orientation of the plate and the holes.



The Ceiling Hood should be positioned at a distance of no more than 1500mm from the cooking surface otherwise performance may be reduced.

2) Using the mounting plate as a template place it on the ceiling and mark and drill the 8mm holes, use either the anchor bolts or the ST6*40mm screws & wall plugs supplied in the fixings pack.

Electric Hob Min 650mm
Gas Hob Min 750mm
Coal/Oil Hob Min 800mm



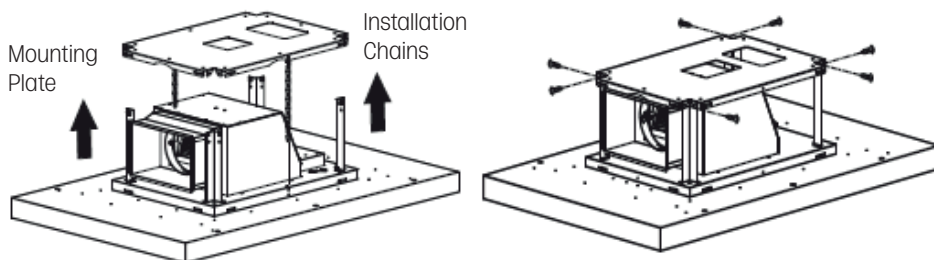
3) Attach the installation chains as shown below.

With assistance, lift the hood up to the mounting plate and secure the free end of the installation chains into the hood body to support the load.

Feed the mains cable through the hole in the mounting plate for easier access later.

Secure the 8 mounting screws through the mounting plate to the support struts.

⚠ Remove the installation chains.





IMPORTANT: Ensure that the electricity supply is switched off before connecting.

4) Your appliance must be connected via the use of a double pole switched fused spur with at least 3mm contact separation, the isolation switch must be accessible after installation. Additional protection measures such as RCD devices are recommended.



The terminology DOUBLE POLE +/- means that both the live and neutral supplies are switched and disconnected at the same time. The terminations labelled SUPPLY are the connections for the internal house wiring and the terminations labelled LOAD are for connection to the appliance.

IMPORTANT: The wires in the mains lead are coloured in accordance with the following code:-
Blue.....Neutral
Brown.....Live
Green / Yellow.....Earth

As the colours of the wires in the mains lead of this appliance may not correspond with the coloured markings identifying the terminals in your spur box, proceed as follows:

The wire which is coloured blue must be connected to the terminal which is marked with the letter 'N' or coloured BLACK. The wire which is coloured brown must be connected to the terminal which is marked with the letter 'L' or coloured RED. The wire which is coloured GREEN / YELLOW must be connected to the terminal marked

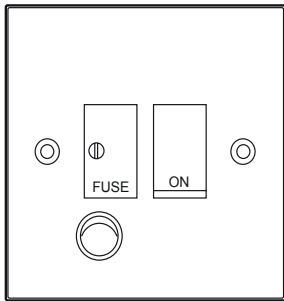


Fig 3.

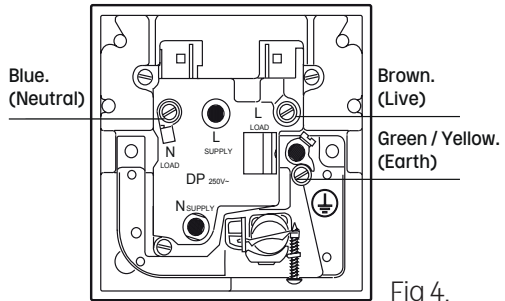
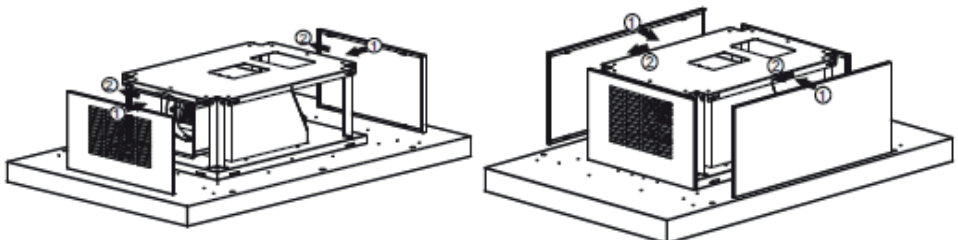


Fig 4.

5) Fit the decorative panels in the locations and orientation shown, the lugs fit into the slots and then slide into place.



Fitting the Carbon Filters (recirculation only)



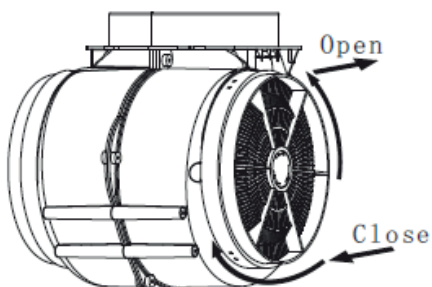
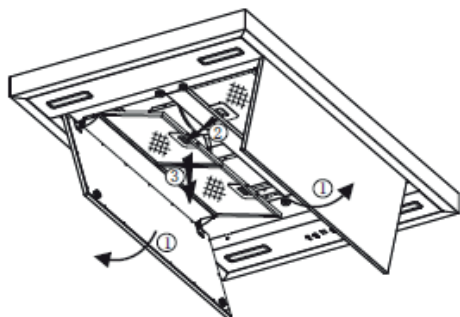
Before attempting to change or fit the charcoal filters ensure power to the extractor is switched off.



Carbon filters only required for recirculation mode.

6) Open the access flaps and remove the grease filters.

Fit the carbon filters (Supplied separately) to the fan motor inlet by locating on the central spigot and rotating to lock into place.



NOTE: Carbon filters have a limited life. We advise you to change them when there is a noticeable drop in performance. The intervals between changing the filter will depend entirely upon the amount of cooking you do, but on average they will last about 3 months. Please quote the part reference number HJA2906 (pack of 2) when reordering.

7) See page 10 for how to connect and pair the remote control to the ceiling hood.

Semi and Fully Recessed Installation (Ducted)

This method can be used to install the product with the false ceiling already erected.

If the false ceiling is to be erected afterwards, follow the installation guide for surface mounting.

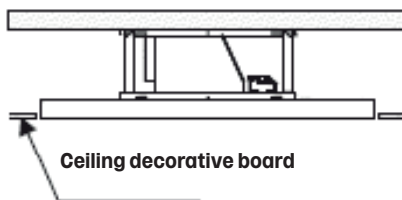
Note: the chimney décor panels must be removed in all ducted installations

Semi recessed = 230mm void from the original ceiling height.



595 *425mm opening required

Fully recessed = 290mm void from the original ceiling height.

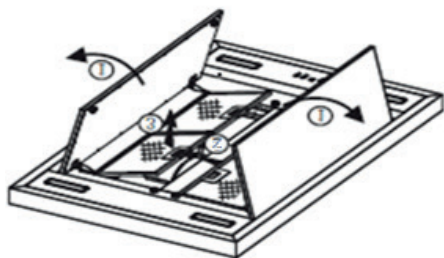


1100 *700mm opening required

1) Remove the decorative panels by sliding sideways these are not required for ducted install.

Carefully turn the appliance upside down for ease of access.

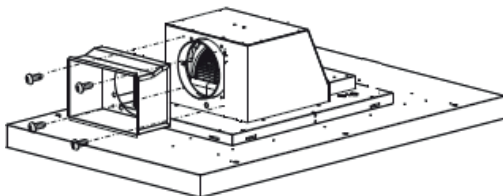
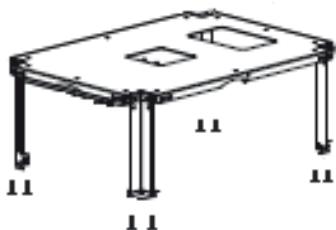
Open the access flaps and remove the grease filters and central support brace.



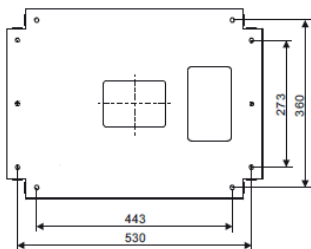
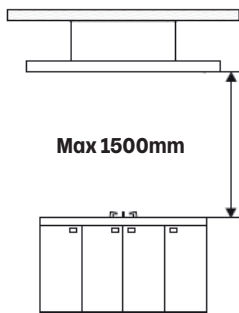
2) Undo the 8 M4*25mm mounting bolts indicated with the mounting warning labels and keep aside.

Turn the appliance the correct way up and remove the mounting plate and the support strut subassembly.

Unscrew the fan motor outlet flange



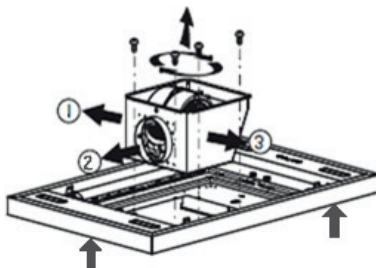
3) Using the mounting plate as a template place it on the ceiling and mark and drill the 8mm holes, use either the anchor bolts or the ST6*40mm screws & wall plugs supplied in the fixings pack to mount the plate to the original ceiling.



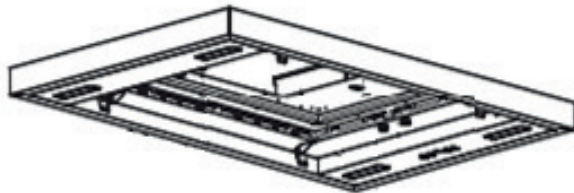
Semi Recessed Installation
230mm deep false ceiling
A 595 x 425mm cutout is required

Fully Recessed Installation
290mm deep false ceiling
A 1100 x 700mm cutout is required

4) The hood outlet can be fitted in any 3 orientations depending on where the ducting needs to be routed to. Support the hood body ensuring to take the weight off the fan motor box. Unscrew the fan motor box and remove from the hood body disconnecting the electrical harness and earthing cable & place aside. Prepare the ducting in the void.



5) With assistance, lift the hood body up to the mounting plate and strut assembly. Secure the 8 mounting screws through the body to the support struts. Pull the ducting and the mains supply cables through the motor box opening.



IMPORTANT: Ensure that the electricity supply is switched off before connecting.

6) Your appliance must be connected via the use of a double pole switched fused spur with at least 3mm contact separation, the isolation switch must be accessible after installation. Additional protection measures such as RCD devices are recommended.

Electrical Connections



The terminology DOUBLE POLE +/- means that both the live and neutral supplies are switched and disconnected at the same time. The terminations labelled SUPPLY are the connections for the internal house wiring and the terminations labelled LOAD are for connection to the appliance.

IMPORTANT: The wires in the mains lead are coloured in accordance with the following code:-

Blue.....Neutral

Brown.....Live

Green / Yellow.....Earth

As the colours of the wires in the mains lead of this appliance may not correspond with the coloured markings identifying the terminals in your spur box, proceed as follows;

The wire which is coloured blue must be connected to the terminal which is marked with the letter 'N' or coloured BLACK. The wire which is coloured brown must be connected to the terminal which is marked with the letter 'L' or coloured RED. The wire which is coloured GREEN / YELLOW must be connected to the terminal marked

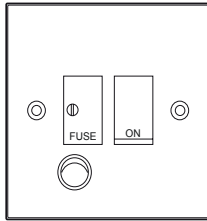


Fig 3.

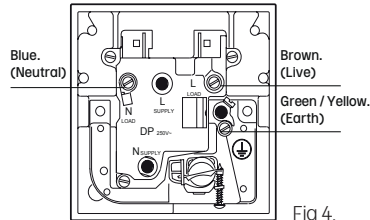


Fig 4.

7) Connect the flexible ducting from the ceiling void to the fan motor outlet.

Reconnect the electrical connector to the wiring harness.

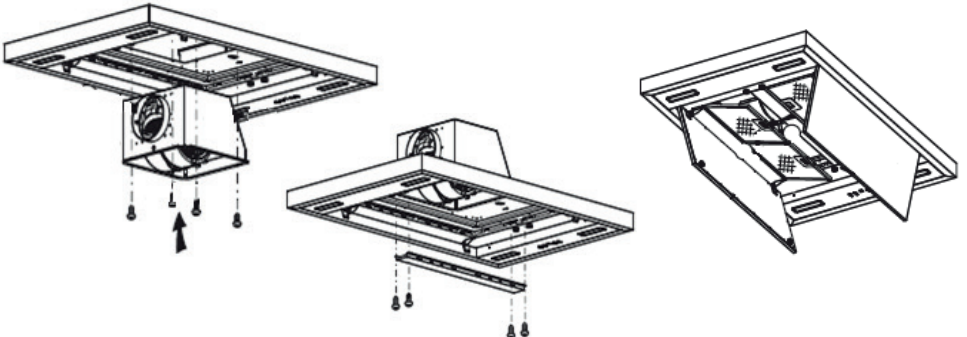
Screw the fan motor housing back into the hood body, ensuring not to trap ducting or wiring.

Refit the central support brace.

Refit the Grease filters locating the rear of the tabs first.

Close the access flaps

Turn on the mains supply, refer to page 10 for how to connect & pair the remote control.



Technical Specification

TROUBLESHOOTING GUIDE

Dimensions:

Total Wattage:	388W
Voltage:	220V - 240V 50Hz
Width:	1100mm
Depth:	700mm
Fuse Rating:	3A Fused Spur

Your Ceiling Hood is fitted with:

Single motor 380W
Touch control with remote control
2 Speeds + Boost
x4 LED lamps (DSS-1.5/30-S-120/33 12V 1.5W)
x4 Aluminium grease filters

Optional Extras:

Carbon filter:	HJA2906
Ducting kits :	APL2807 150mm

Troubleshooting

TROUBLESHOOTING GUIDE

Symptoms	Possible Cause	Solutions
Product does not operate	<ul style="list-style-type: none">Mains fuse or breaker has tripped.	<ul style="list-style-type: none">Check Ceiling Hood for any obvious issues.Replace fuse / reset breaker.
Lamp does not operate	<ul style="list-style-type: none">Defective lamp module.	<ul style="list-style-type: none">Call service line.
Poor Ceiling Hood performance	<ul style="list-style-type: none">Clogged filters.Vent ducting; too long, too small diameter, too many bends.Ceiling Hood mounted too high above the hob.	<ul style="list-style-type: none">Wash grease filters.Change carbon filters (if applicable).Check installation.
Smells linger	<ul style="list-style-type: none">Clogged filters.	<ul style="list-style-type: none">Wash grease filters.Change carbon filters (if applicable).



If you cannot eliminate the problem after following the instructions in this section, consult your depot or the Authorized Service Agent. Never try to repair a nonfunctional product yourself.

Your Guarantee

Product Guarantee Details (UK only)

Your appliance has the benefit of a comprehensive manufacturer's guarantee which covers the cost of breakdown repairs. (Details of which are shown on your Proof of purchase Document).

- Any claim during the period of the guarantee **MUST BE ACCOMPANIED BY THE PROOF OF PURCHASE.**
- The product must be correctly installed and operated in accordance with the manufacturer's instructions and used for normal domestic purposes.
- This guarantee does not cover accidental damage, misuse or alterations which are likely to affect the product.
- The guarantee is invalid if the product is tampered with, or repaired by any unauthorised person. (The guarantee in no way affects your statutory or legal right)

What to do if you need to report a problem.

Please ensure you have ready:

- The product's model and serial numbers.
- Howdens Proof of Purchase Document.
- Your full contact details.

Call the Depot number on your Proof of Purchase Document supplied with the product / kitchen.

or

Call the LAMONA Service Line on 0344 460 0006

*Product installed within a domestic kitchen or a non-domestic kitchen where 8 or fewer people are using the appliance.

Where to find the model and serial number on your machine.	Remove Grease filters - rating plate in cavity area
---	--



Product serial number
(Place sticker here)

LAMONA
EXCLUSIVE TO HOWDENS

Issue v1 050220