

# LAMONA

## Built-In Dishwasher

LAM8304



Generic instructions, (To be used in conjunction with User Instructions).

- Please read this Installation Manual to ensure safe fitting and use of the appliance.
- The appliance should be fitted by a suitably competent and qualified person.
- Please keep these instructions in a safe place for future reference.
- Danger of suffocation keep packaging material away from children.

## Installation Instructions

Register  
my appliance

[www.howdens.com/appliance-registration](http://www.howdens.com/appliance-registration)



# Safety Information



Two person lift.



Dishwasher must be fixed securely and level.



Risk of injury: Beware of sharp metal edges. Use gloves when handling.



**Do Not** install a damaged machine.



Ensure that all packing and transit protectors have been removed from the appliance before positioning.



Risk of damage to appliance: Do not attempt to move the appliance by the door.



Risk of damage to property: Take care of surrounding area when moving the appliance to prevent damage to flooring, wall coverings, pipes etc..



**Warning:** Be aware of the instability of the appliance prior to being fitted into position.

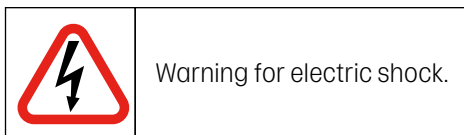


**NOTE:** Do not leave the dishwasher door open. Be careful not to trip over open door.



**NOTE:** If the electricity cable is damaged it must be replaced by a competent person.

Throughout this manual the following symbols are used.



Warning for electric shock.



Warning for risk of fire / flammable materials.



Warning for injury or property damage risk.



**DO NOT KINK HOSES BEHIND MACHINE!**  
Machine will not work properly.

If after installation upon 1st use an error code is displayed,



or machine does not fill / empty - **CHECK HOSES** for kinks.

---

## Safety Information (continued)

### Electrical connection

---

#### **WARNING!** Risk of fire and electric shock.

- The appliance must be earthed.
- Make sure that the electrical information on the rating plate agrees with the power supply. If not, contact an electrician.
- **Do not** use multi-plug adapters and extension cables.
- Avoid damage to the mains plug and mains cable. Should the mains cable need to be replaced, contact a **LAMONA** Authorised Service Agent or a suitably qualified person.
- Connect the mains plug only at the end of the installation. Ensure access to the mains plug after the installation.
- This appliance complies with all relevant E.U. Directives.
- The appliance has a 13amp plug.  
Use fuse: 13amp ASTA (BS 1362).

### Water connection (cold water supply)

---

- **Do not** kink or damage the hoses during installation.
- Before you connect the fill hose to the appliance; let some water flow through to ensure all debris is removed.
- We suggest you connect the fill hose and open the water valve before pushing the appliance into position.
- Check for leaks during and after installation and after first use.
- If the water inlet hose is damaged, immediately close the water supply valve and disconnect the mains plug from the mains socket.
- The appliance is to be connected to the water mains using the new hose-set supplied with the appliance. **Do not** re-use old hose-sets.

---

## Installation overview guide

- |  |      |  |      |
|--|------|--|------|
| 1. Dimensions .....  | p.6  | 8. Remove 'H' frame.....                         | p.10 |
| 2. Dishwasher connections.....   | p.6  | 9. Standard decor door preparation.....          | p.11 |
| 3. Fit feet and raise 10-15mm below<br>worktop height.....                   | p.8  | 10. Decor drawer frontals preparation .....      | p.11 |
| 4. Locate securing brackets.....   | p.8  | 11. Fit decor door / decor drawer frontals ..... | p.12 |
| 5. Protection strip for timber worktops.....                                 | p.9  | 12. Final adjustment and secure dishwasher ..... | p.13 |
| 6. Positioning the dishwasher .....  | p.9  | 13. Fit plinth .....                             | p.14 |
| 7. Adjust feet and raise dishwasher to<br>underside of worktop (level) ..... | p.10 | 14. Connect water/plumbing/electric.....         | p.14 |
|  |      | 15. Profile Kitchen .....                        | p.15 |

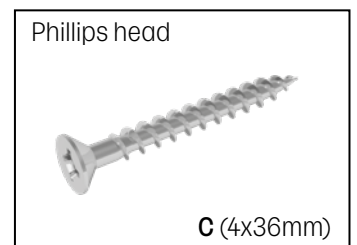
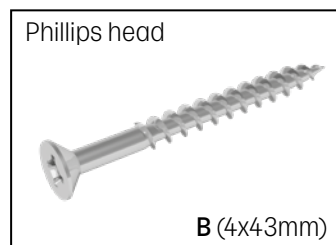
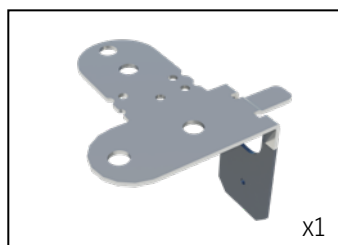
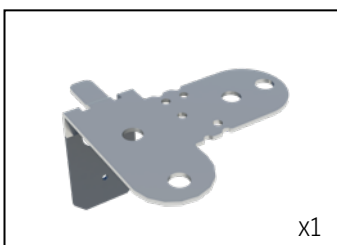
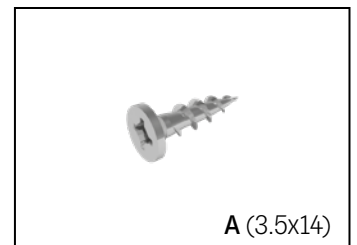
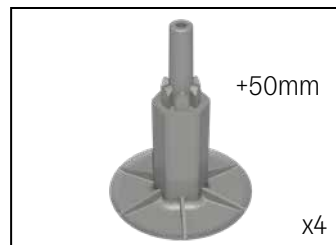
## Tools required



**DO NOT** use high speed impact power tools.

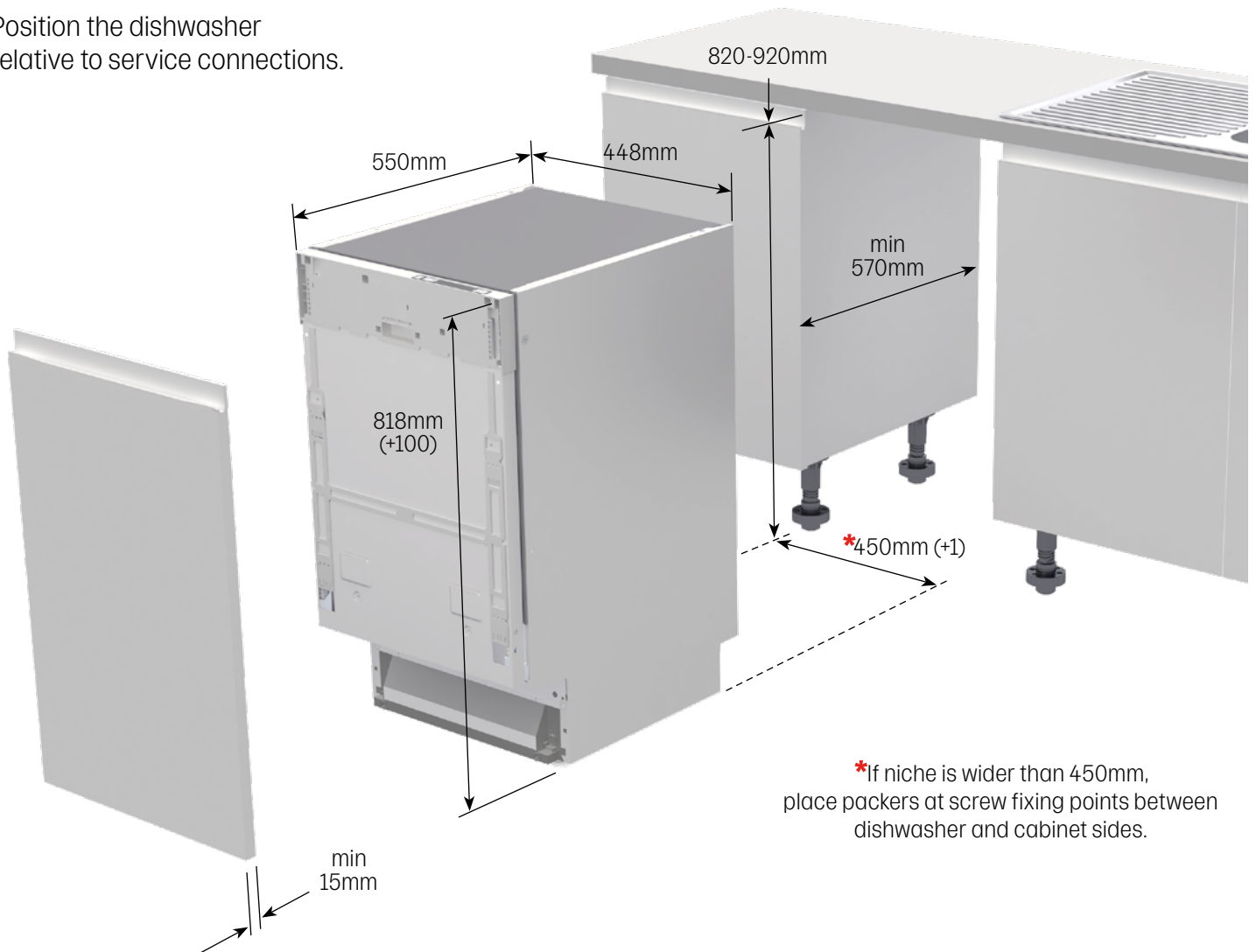
## Installation

### Parts supplied

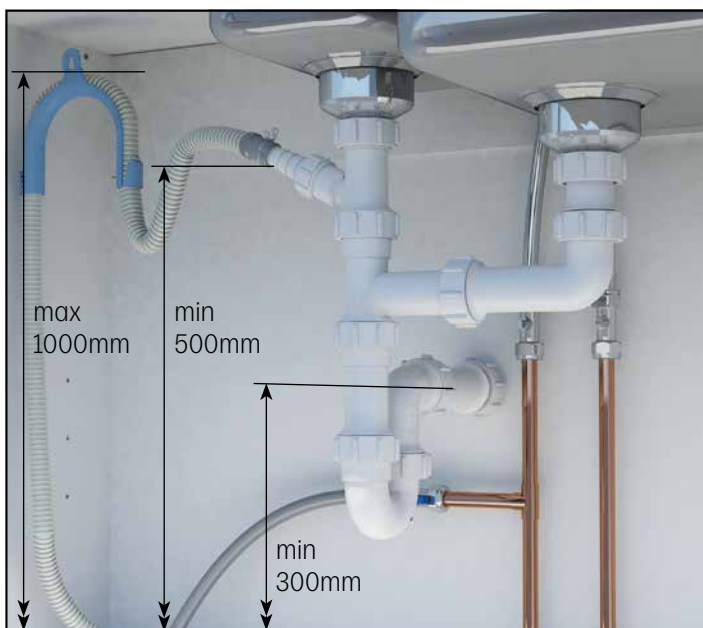


# 1 - Dimensions

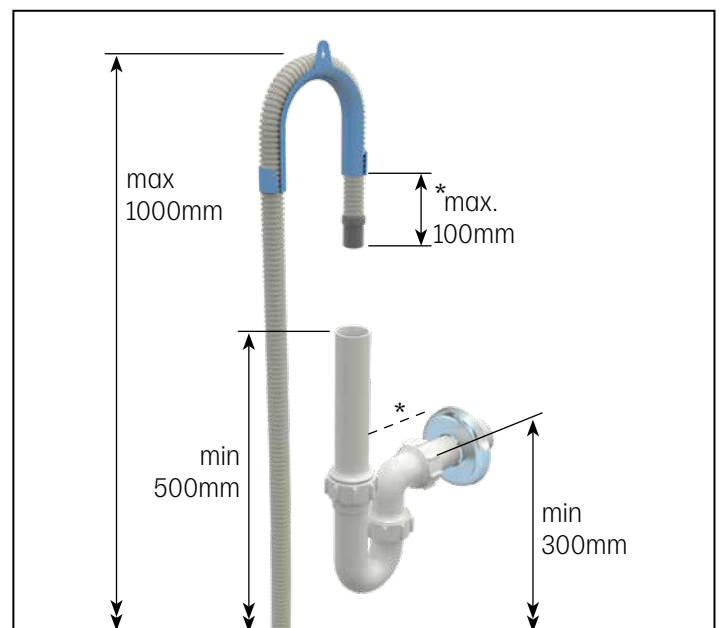
Position the dishwasher relative to service connections.



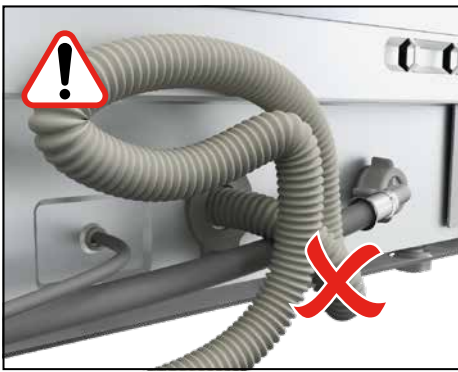
# 2 - Dishwasher connections



All dimensions are to the floor.



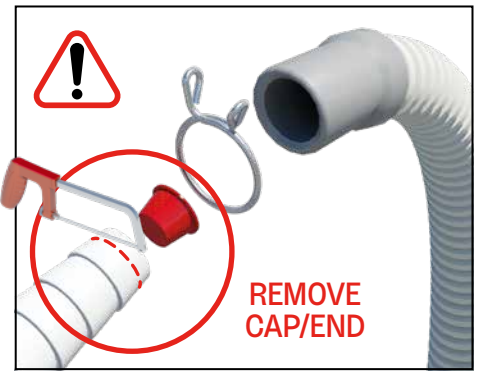
**DO NOT** insert the hose too deep into the waste pipe, (Maximum hose length, 3.2 metres).



**NOTE: Ensure hoses are not kinked or trapped behind the dishwasher.**

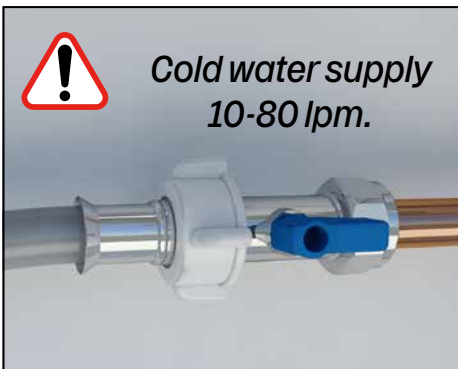


**NOTE:** If necessary loosen and rotate the water hose towards the water supply and re-tighten. (Always use the new hose supplied with the dishwasher).

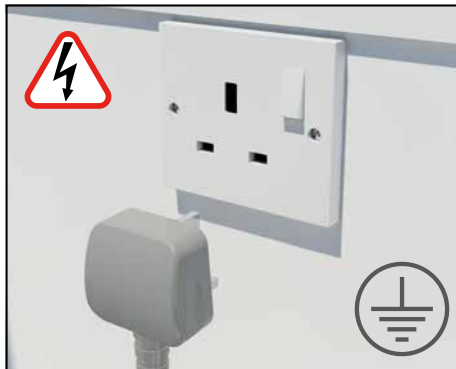


Ensure cap/end is removed from waste pipe spigot.

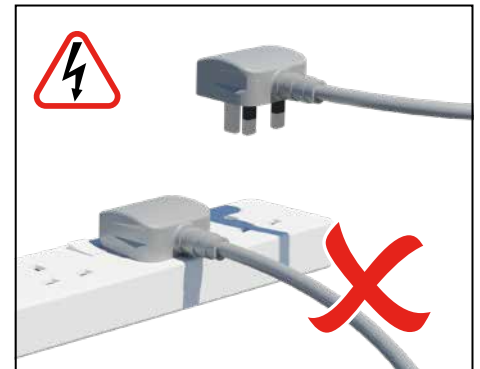
**NOTE: Issues with hoses or drain will cause machine to malfunction.**



Ensure water is turned on and the isolator valve **is accessible after fitting.**  
Hose connection - 3/4".  
Cold water pressure - 0.1 - 1Mpa (0.3 - 1.0 Bar)



**WARNING!** This appliance must be earthed. (Socket must be accessible after fitting).



**WARNING!** Do not use extension cables / adapters.



**Incorrect** waste pipe configuration.

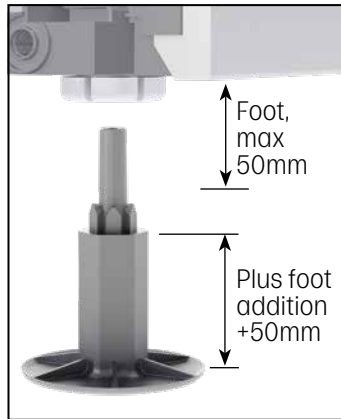


**Correct** waste pipe configuration.



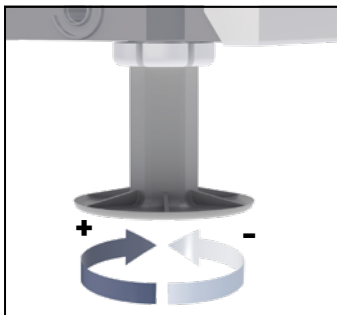
### 3 - Fit feet and raise to 10-15mm below worktop height

For standard installation extension feet need to be fitted.

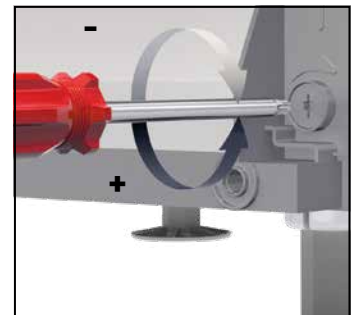


**Do not** position in cabinet run at this stage.

Front feet



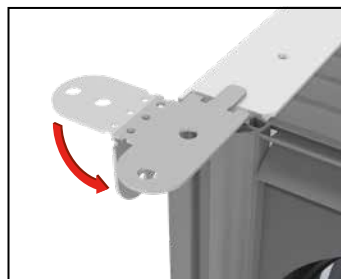
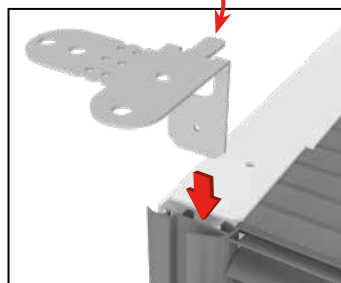
Rear feet



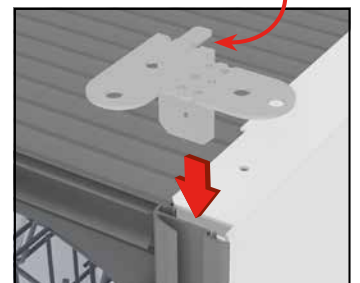
### 4 - Locate securing brackets



Insert brackets and fold.  
**Do not** flatten bracket tab with hammer.



Insert brackets and fold.  
**Do not** flatten bracket tab with hammer.

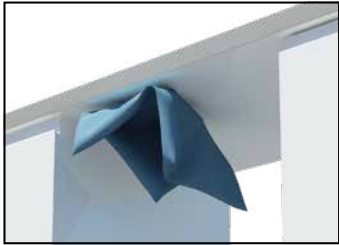




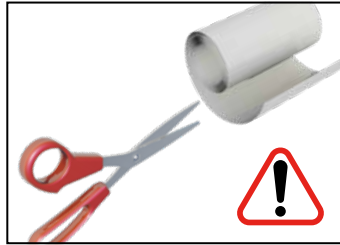
## 5 - Protection strip for timber worktops to avoid condensation damage

**NOTE:** This strip must be fitted to timber worktops to avoid damage. Ensure protection strip is set to edge of square edged worktops.

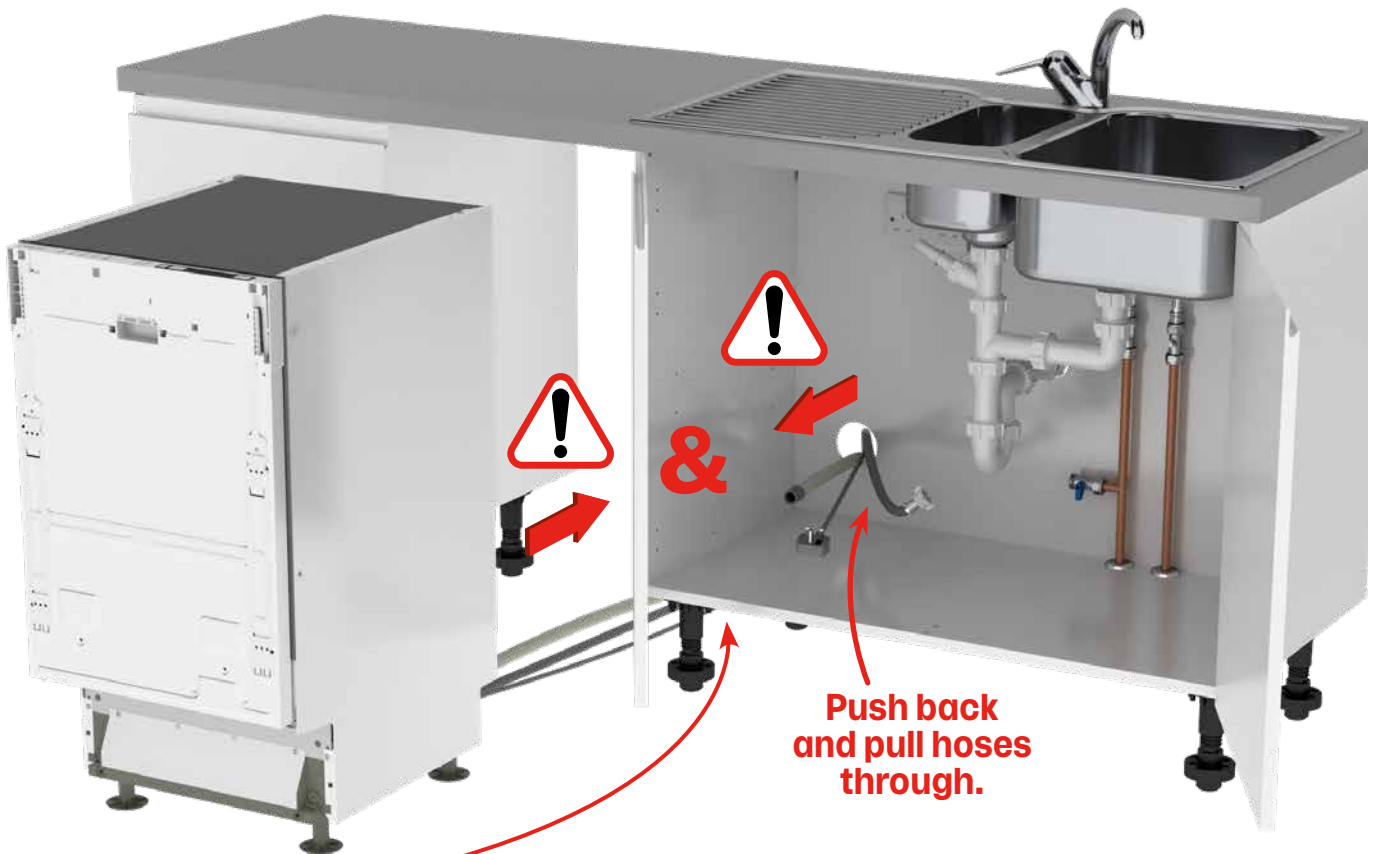
Ensure a clean and dust free surface.



Cut to fit.



## 6 - Positioning the dishwasher

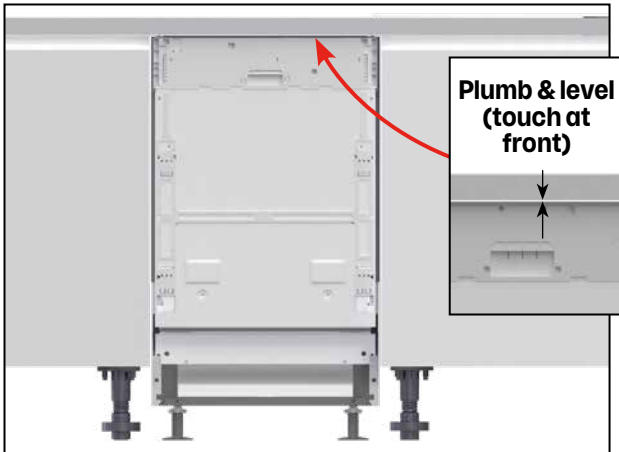


**NOTE:** Ensure hoses are not kinked or trapped behind the dishwasher.



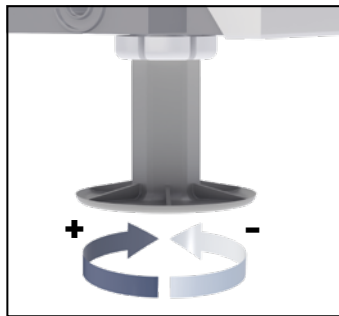
**NOTE:** If necessary loosen and rotate the water hose towards the water supply and re-tighten. Always use the new hose supplied with the dishwasher.

## 7 - Adjust feet and raise dishwasher to underside of worktop (level)



It is critical that the dishwasher is installed level.

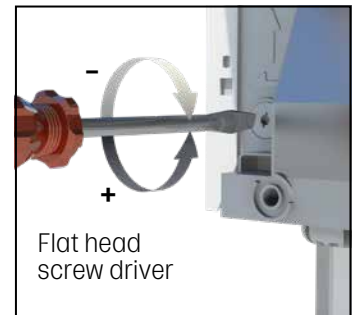
Front feet



Rear feet

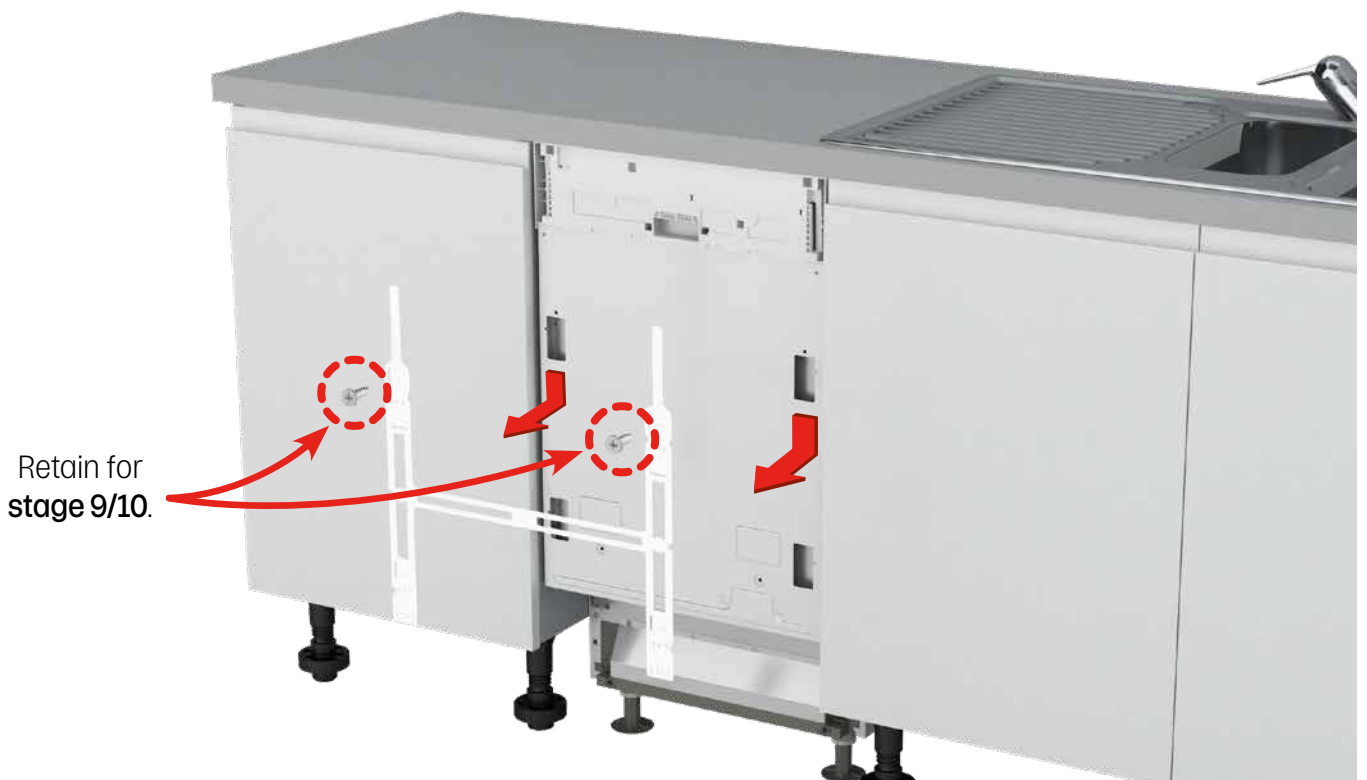


**DO NOT** use high speed impact power tools.  
**DO NOT** damage the plastic screw heads.

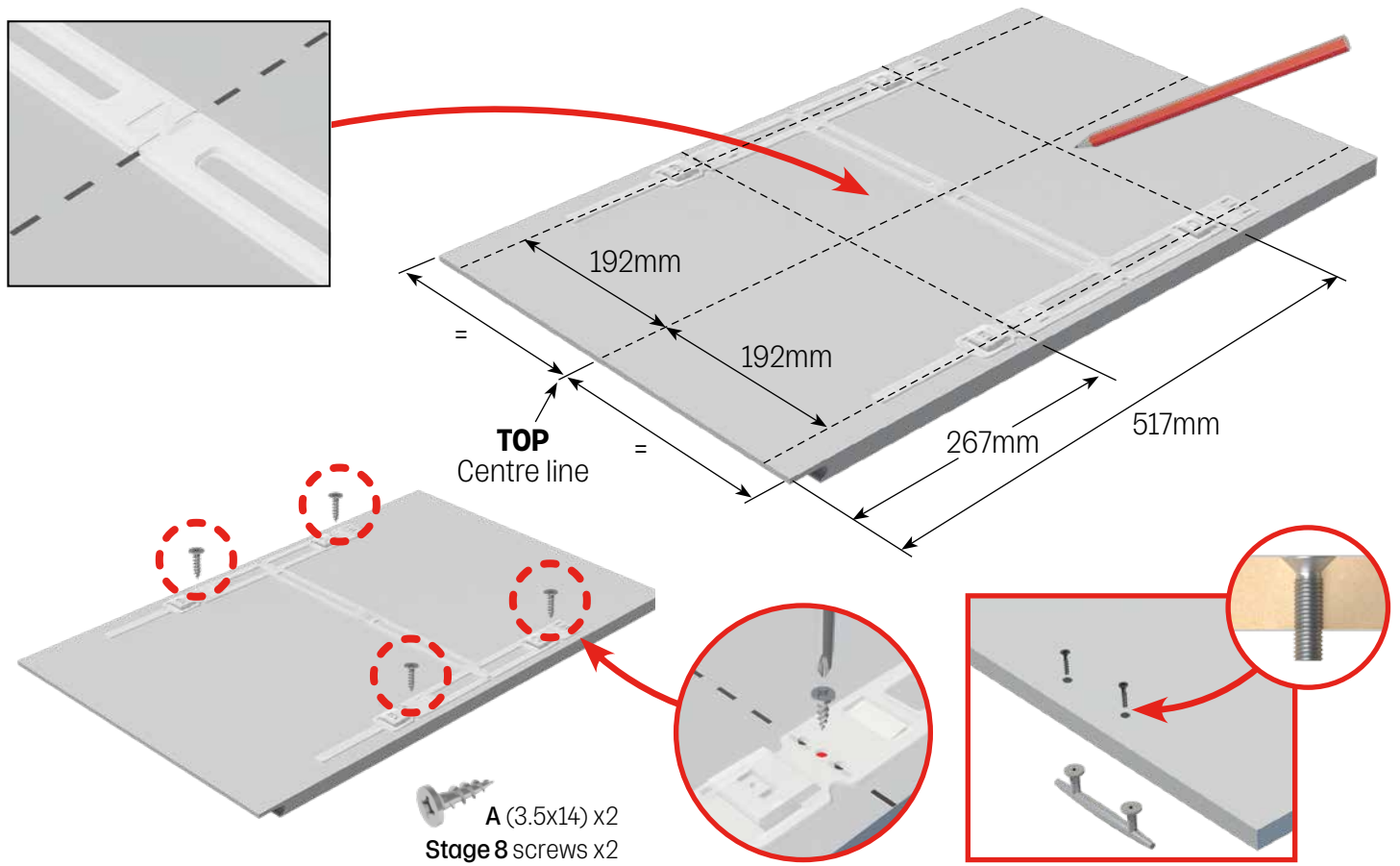


Flat head screw driver

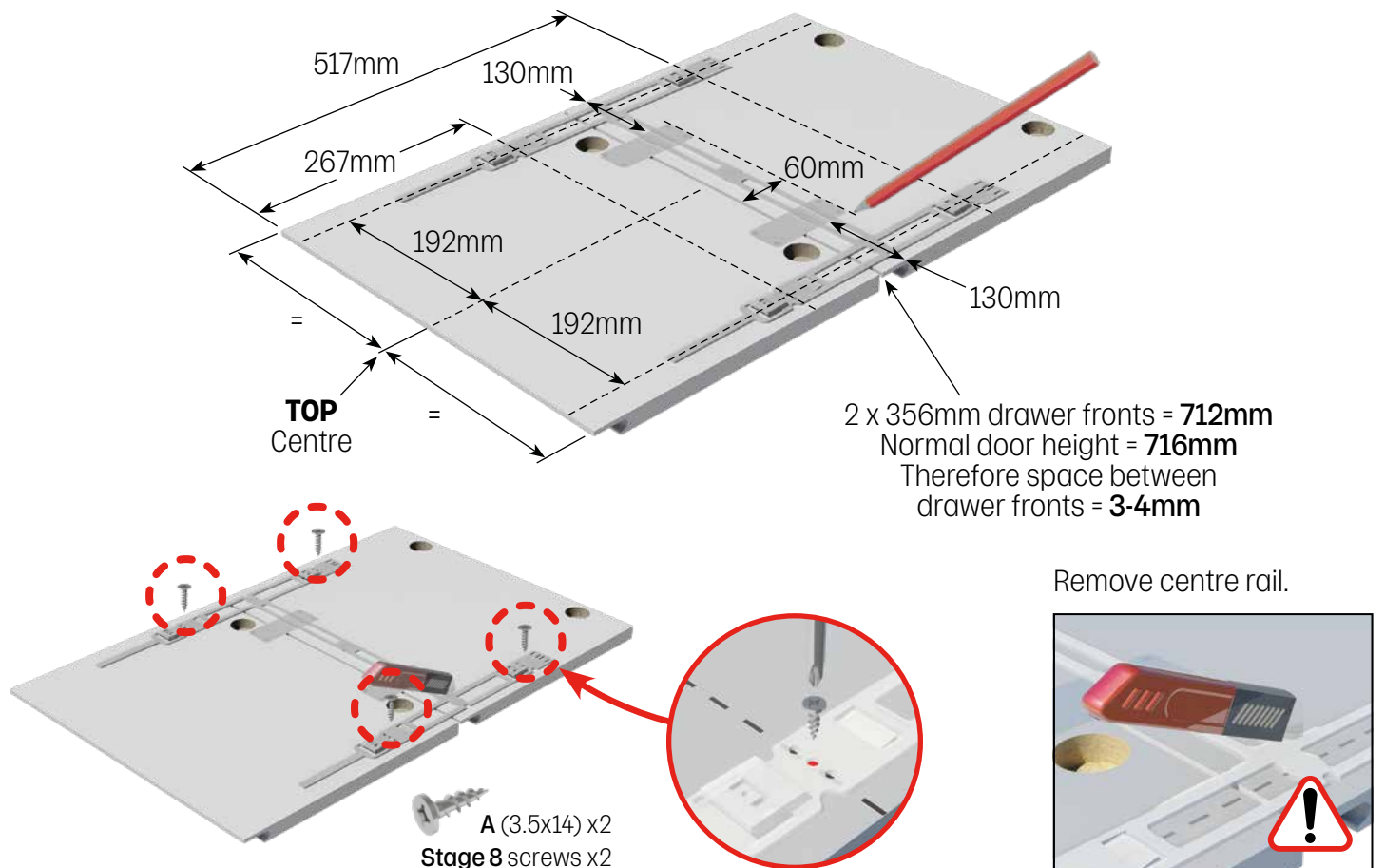
## 8 - Remove 'H' frame



## 9 - Standard decor door preparation



## 10 - Decor drawer frontals preparation



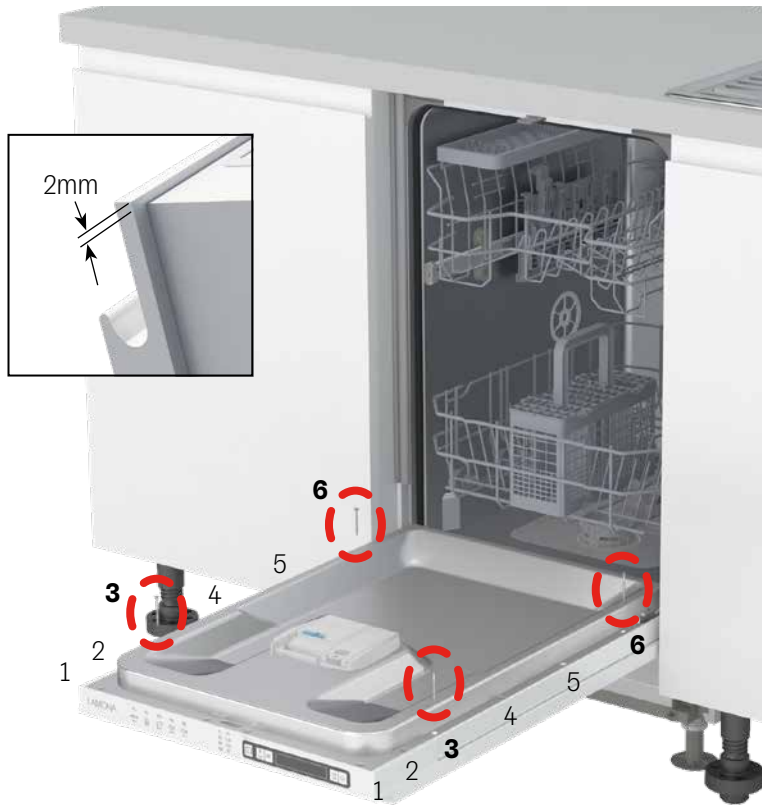
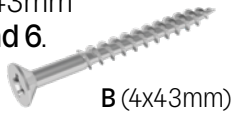
# 11 - Fit decor door / decor drawer frontals



**DO NOT** use hole 1, especially when fitting an **integrated handle decor door**.

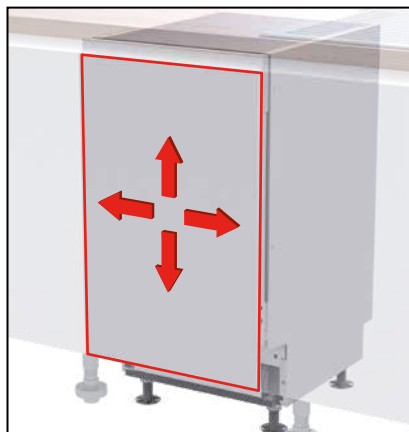
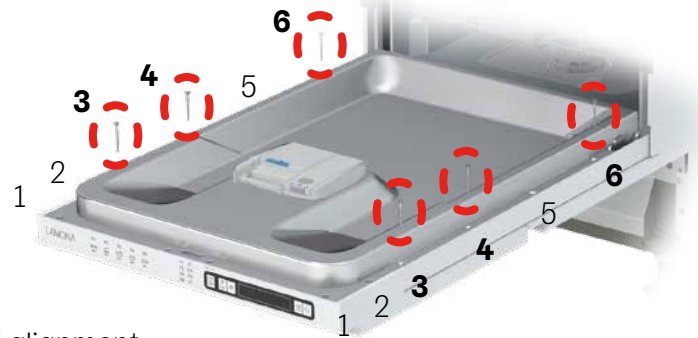
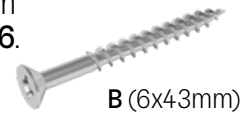
## Fixing for standard decor door

Phillips head 43mm numbers 3 and 6.



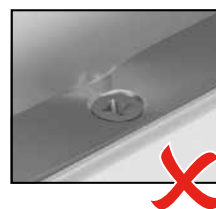
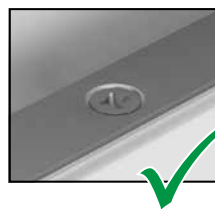
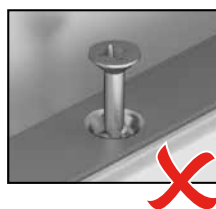
## Fixing for decor drawer frontals

Phillips head 43mm numbers 3, 4 and 6.



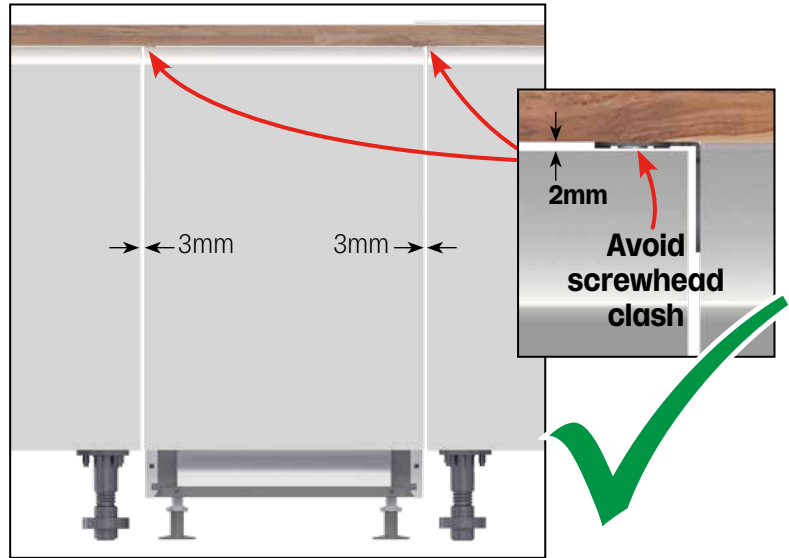
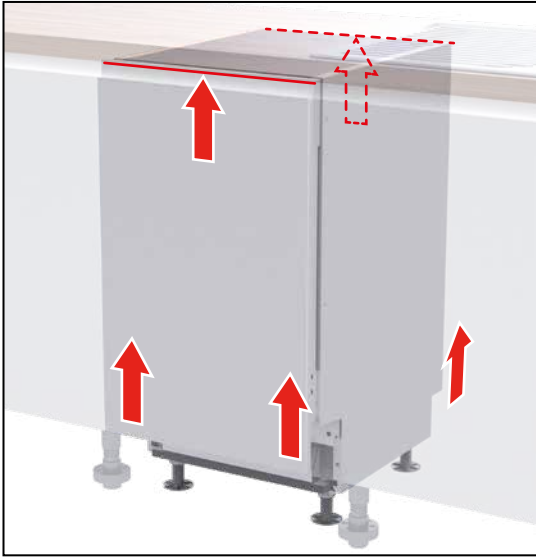
If necessary make final alignment and fully tighten the screws. Make sure screws are fastened flush.

**DO NOT** over-tighten.





## 12 - Final adjustment and secure dishwasher



**It is critical that the dishwasher is installed level.**

Side fixing for solid surface worktops and top fixing for timber worktops.

### Solid worktop



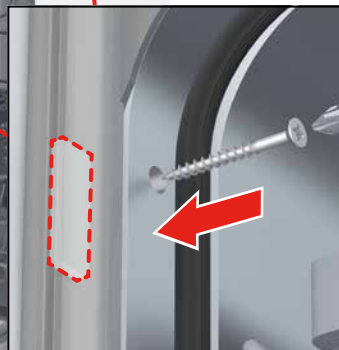
### Timber worktop



### Securing screws



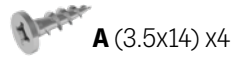
**Do not overtighten**



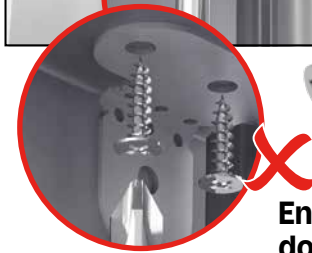
Phillips head



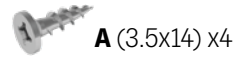
Use packers if niche is >450mm



A (3.5x14) x4



**Ensure screw does not clash with decor door!**



A (3.5x14) x4

Maximum 450mm (+1)








**! Do not bow dishwasher sides.**

## 13 - Fit plinth

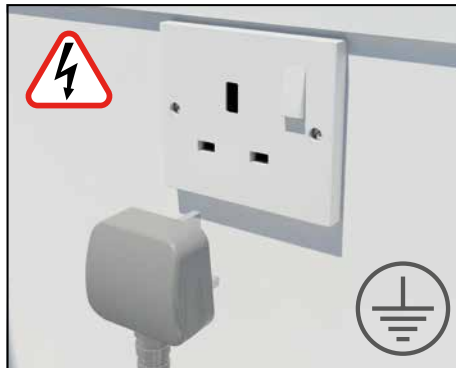


Once decor door / decor drawer frontals are fitted correctly, fit the plinth.

### Final checks:

-  Decor door opens and closes without clash?
-  Dishwasher installed level  
Front  Rear,  
Side  Side?
-  Hoses not kinked?

## 14 - Switch on water and electric

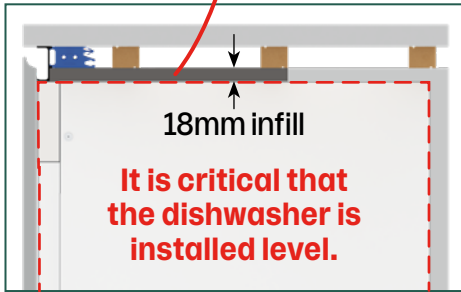


If during initial use the machine does not fill / empty. Check hoses, see 'Dishwasher connections'.

Run a programme cycle to confirm successful installation and that there are no leaks.

## 15 - Profile Kitchen

Pre-install an infill when fitting a dishwasher into a Profile Kitchen.



Apply moisture barrier tape.







Product serial number  
(Place sticker here)

# LAMONA

Product information correct at the time of publication in November 2020.  
The company has a policy of continuous product development and reserves the right to change any products and specifications given in this manual. Subject to the Terms and Conditions of Trading, a copy of the Howdens Terms and Conditions is available upon request.  
Copyright © 2020 Howden Joinery Ltd. All rights reserved.

**ISSUE v1 011120**