

Built Under Refrigeration

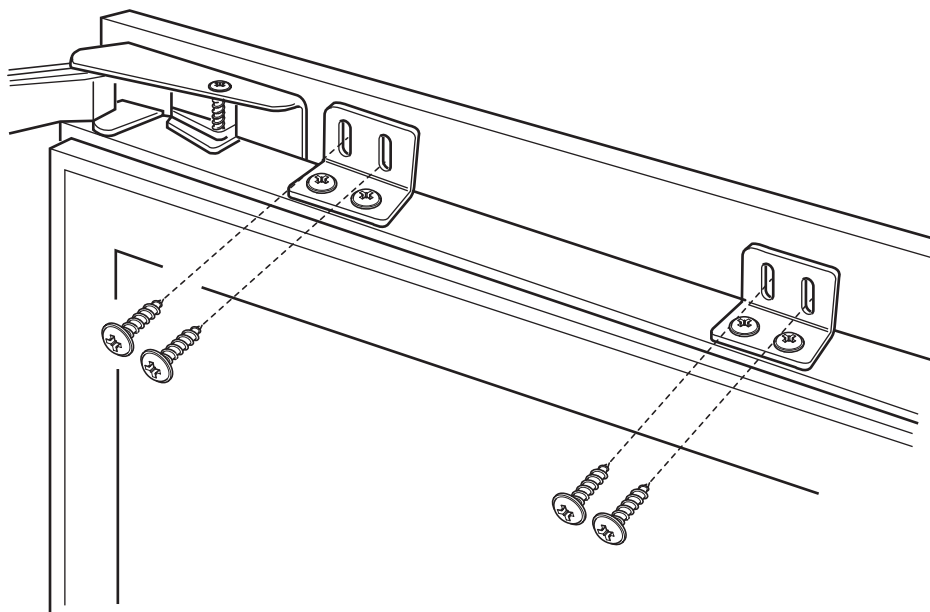
Brackets for Shaker Doors

BUBRACK1

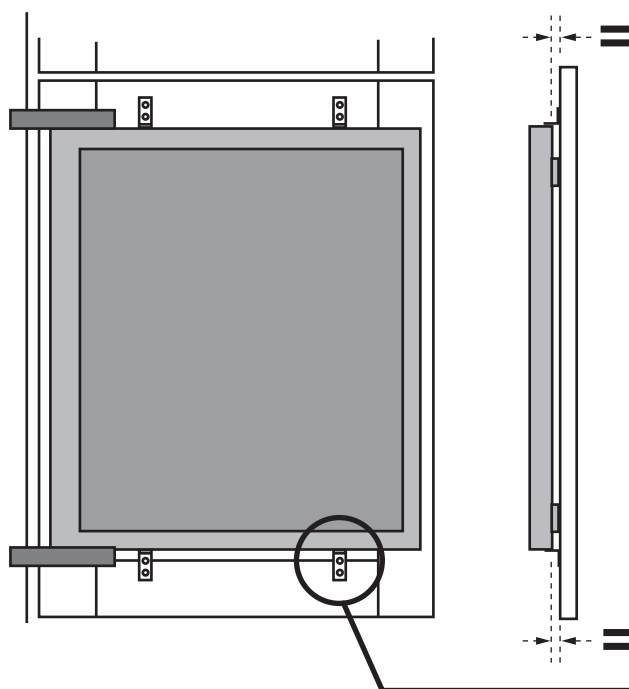
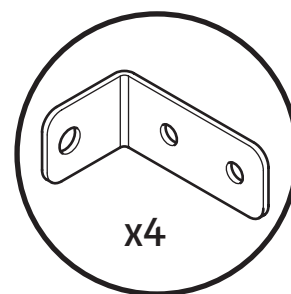


For instances where the new shaker door bracket (LAM0060) is not available, larger brackets can be used as shown below.

The use of the upper door fixing brackets remains unchanged as shown below.



Due to the lower door brackets clashing with the edge of the kitchen door panel, we recommend the larger brackets are used to secure the door at the top and bottom. **Note:** Ensure spacing of door (top and bottom) is equal.



Carefully drill the appliance door and frontal

