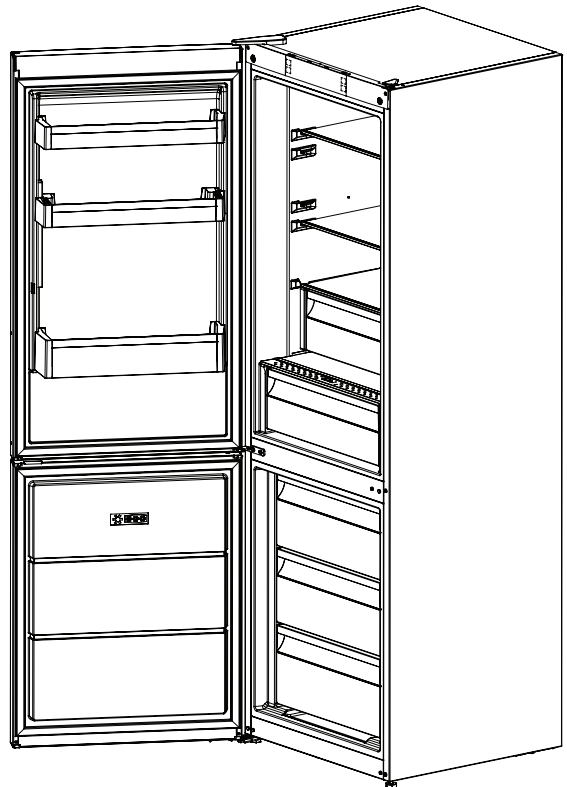
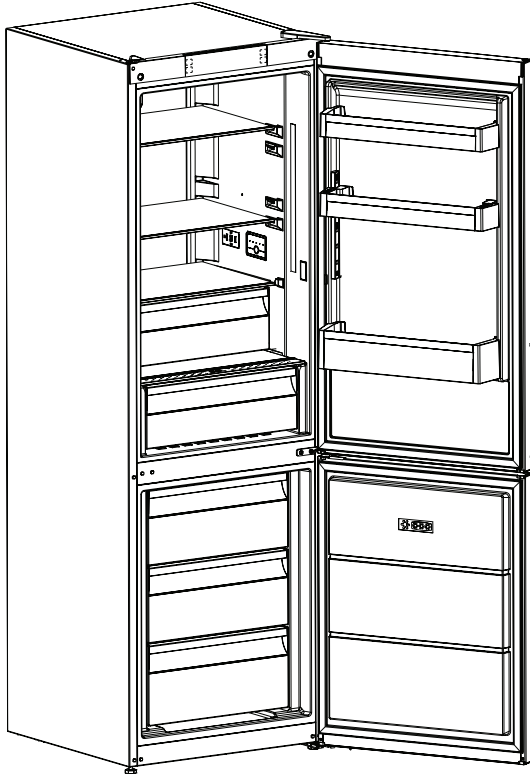


# LAMONA

at the heart of the kitchen

## Freestanding Frost Free Fridge Freezer

**FLM6351**



## DOOR REVERSAL INSTRUCTIONS

## TOOLS REQUIRED

---



### **Screwdrivers**

1 x Philips size 2

1 x Medium size flat blade

**PLEASE TAKE CARE  
NOT TO MARK OR  
DAMAGE APPLIANCE**

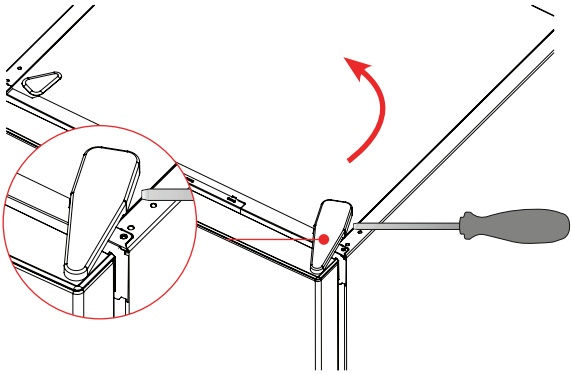


### **ADVICE**

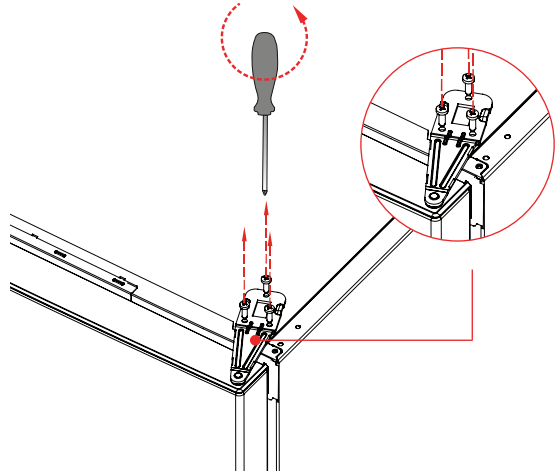
Please remove loose door balconies before beginning.

# DOOR REVERSAL STEP-BY-STEP GUIDE

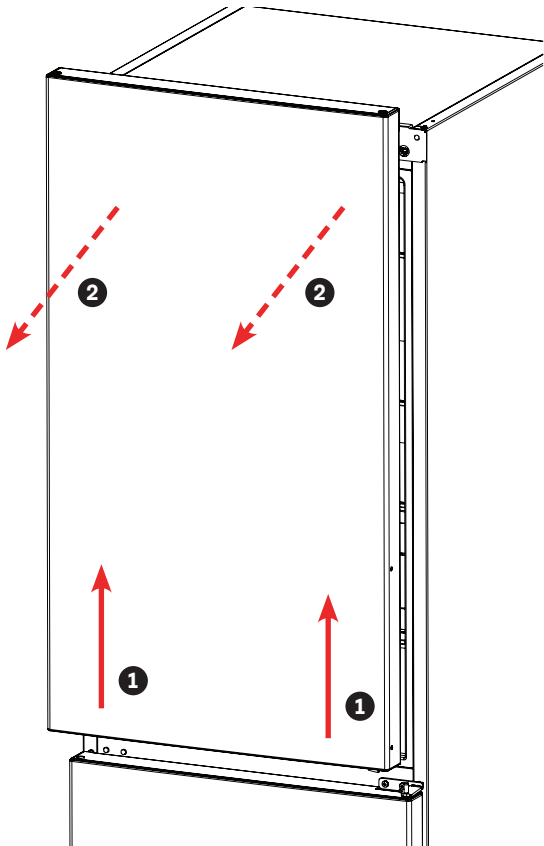
## 1 LIFT CAP OFF BRACKET



## 2 UNSCREW BRACKET

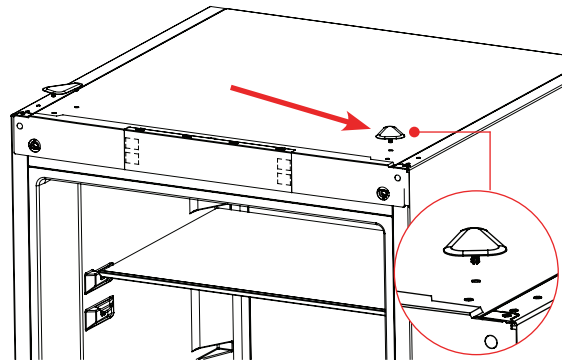


## 3 CAREFULLY REMOVE DOOR

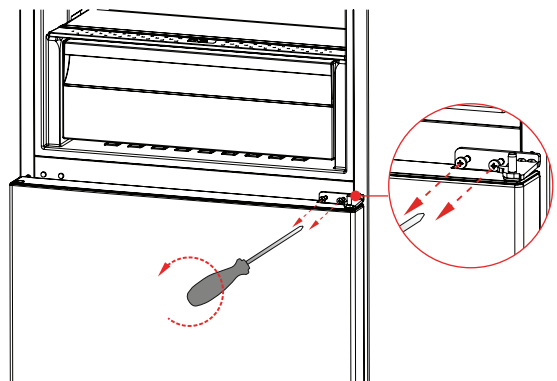


- 1 Lift door up
- 2 Pull door away

## 4 LIFT OUT PLUG

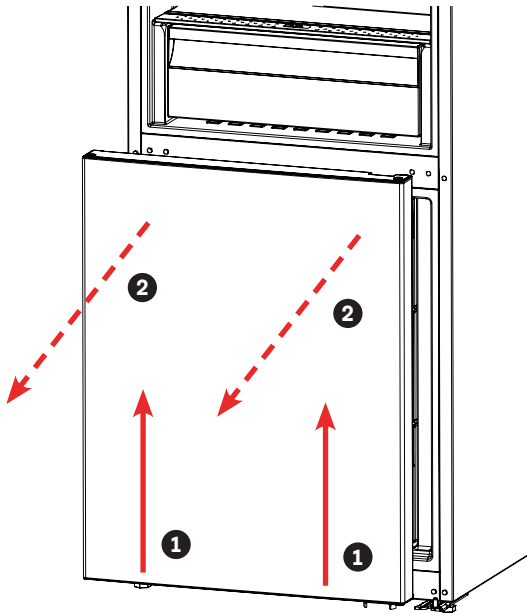


## 5 UNSCREW BRACKET



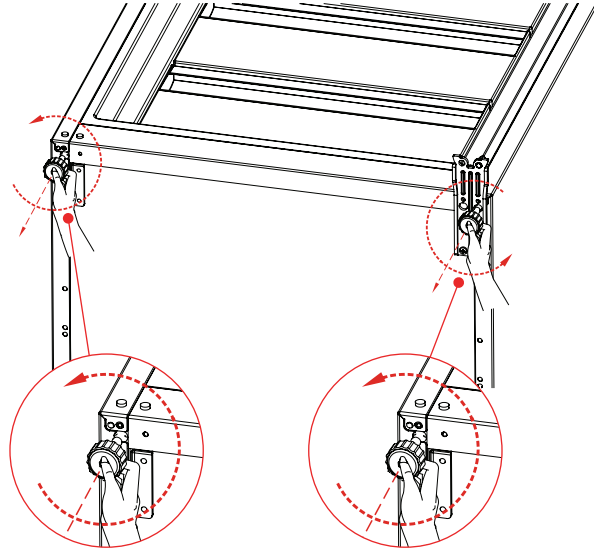
# DOOR REVERSAL STEP-BY-STEP GUIDE

## 6 CAREFULLY REMOVE DOOR

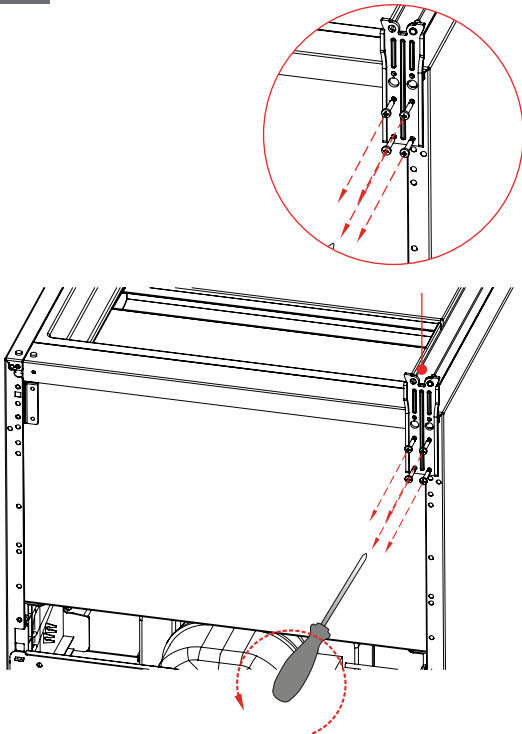


- 1 Lift door up
- 2 Pull door away

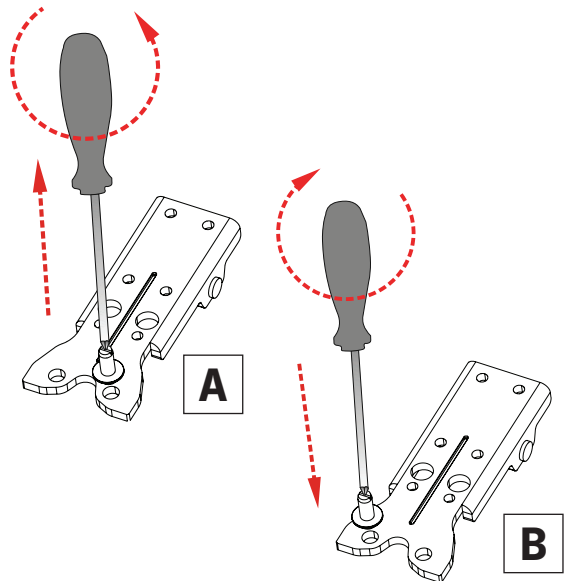
## 7 UNSCREW FEET



## 8 REMOVE BRACKETS

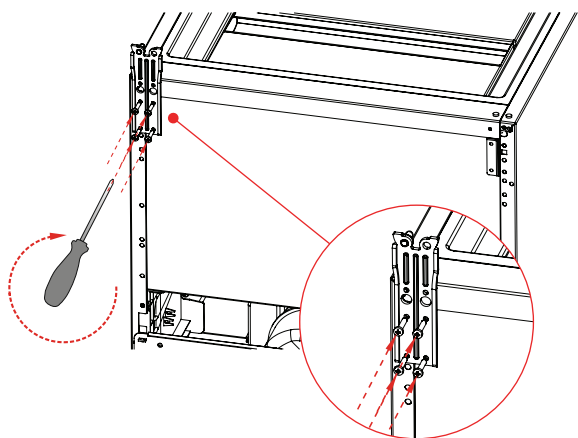


## 9 RE-LOCATE HINGE PIN FROM BRACKET A TO BRACKET B

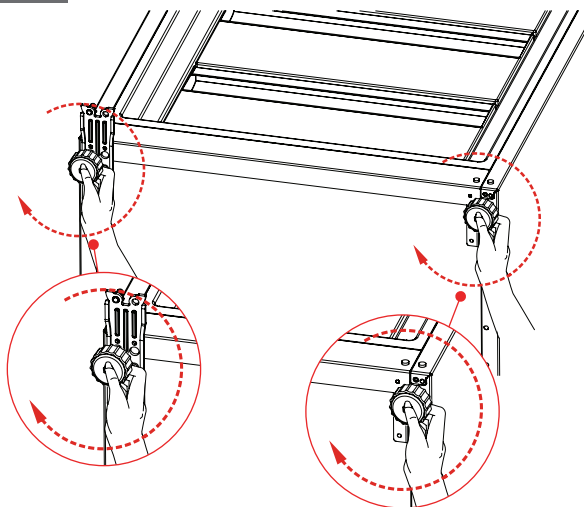


# DOOR REVERSAL STEP-BY-STEP GUIDE

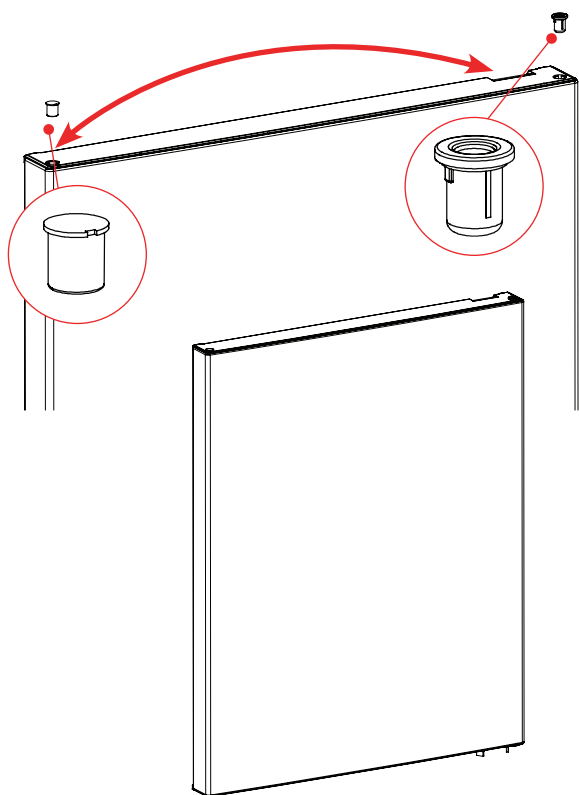
## 10 RE-FIX BRACKET (PIN AT NEW HINGE SIDE)



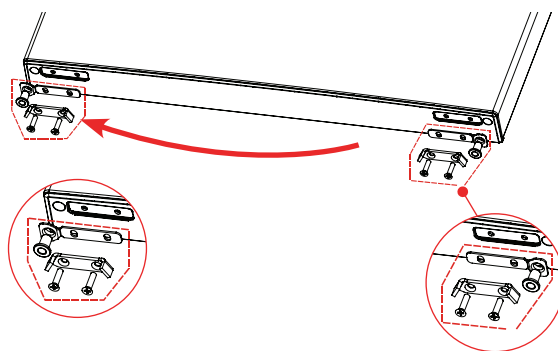
## 11 SCREW-IN FEET



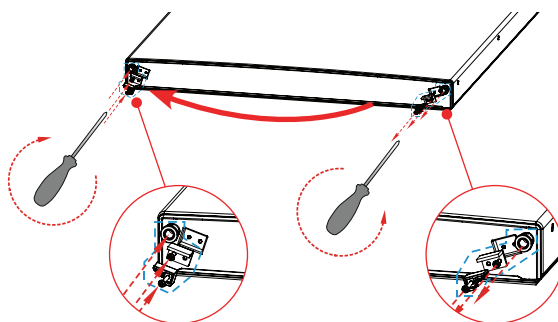
## 12 RE-LOCATE HINGE CUP AND PLUG



## 13 RE-LOCATE BRACKET

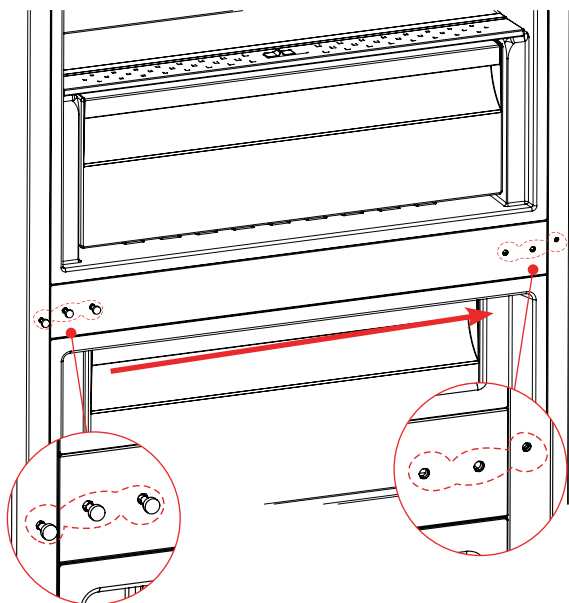


## 14 RE-LOCATE BRACKET

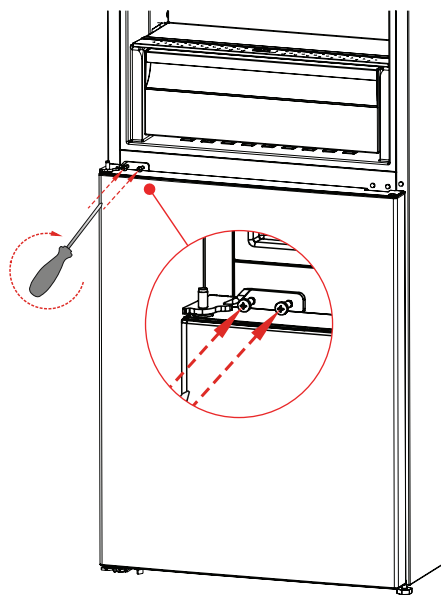


# DOOR REVERSAL STEP-BY-STEP GUIDE

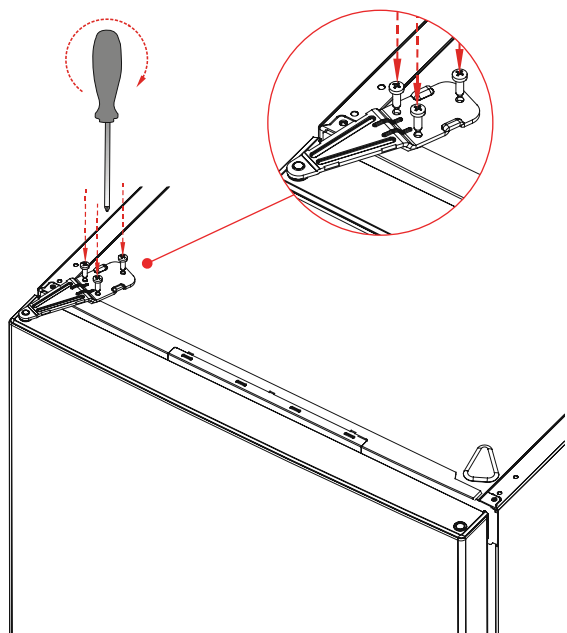
## 15 RE-LOCATE PLUGS



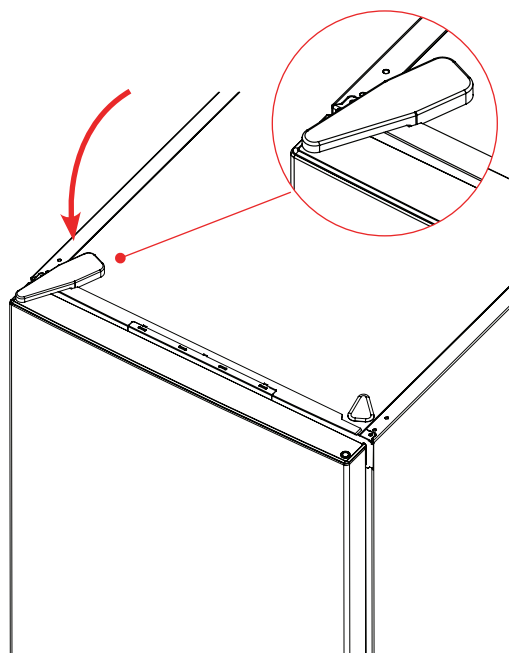
## 16 FASTEN HINGE



## 17 FIX BRACKET



## 18 REPLACE CAP





LAMONA  
at the heart of the kitchen

V1.1 070721

Howden Joinery Ltd, Thorpe Road, Howden, East Yorkshire, DN14 7PA

Howdens Cuisines SAS. Z.A. du Bois Rigault Nord, 1 Rue Calmette, 62880 Vendin-le-Vieil,  
Cedex, France

Product information correct at the time of publication in November 2020. The company has a policy of continuous product development and reserves the right to change any products and specifications given in this manual. Subject to the Terms and Conditions of Trading, a copy of the Howdens Terms and Conditions is available upon request.

Copyright © 2020 Howden Joinery Ltd. All rights reserved.