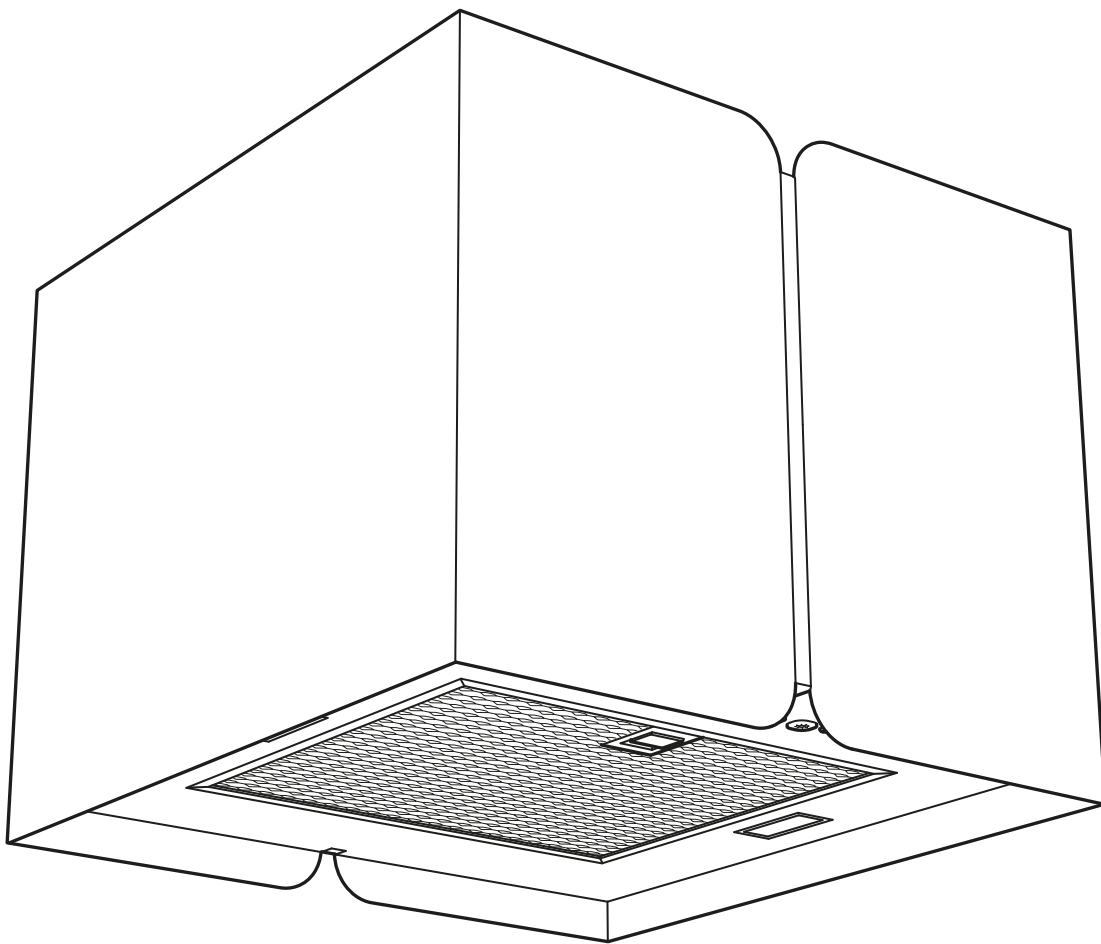


LAMONA

at the heart of the kitchen

Pendant Cooker Hood

LAM2853



User Instructions and Installation

ISSUE v2 120422

Register ✓
my appliance

www.howdens.com/appliance-registration



Free 3 year guarantee

Call now¹

Within the UK:

0333 010 0009

Within Republic of Ireland:

01525 5752

Alternatively, visit www.howdens.com/appliance-registration

LAMONA

**3 year guarantee available.
Register your appliance within 90 days²**

By registering your appliance and creating an account, we will keep you up to date with the latest product information and notify you immediately of any important product updates

¹Lines are open Monday to Friday 9am to 5pm. Calls will be charged at your local rate and may be recorded and monitored for training and quality purposes.

²So that in the event of an important product update, or recall, we can contact you.

Register 
my appliance

Welcome

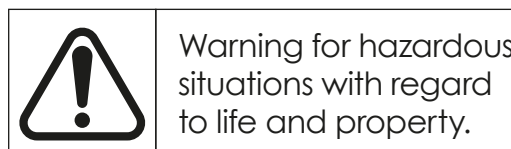
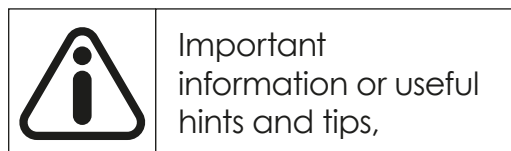
Dear Customer

Congratulations on your choice of **LAMONA** domestic appliance.

- Please read these instructions before use to ensure safe and economical operation of the appliance.
- Please keep these instructions in a safe place for your future reference.
- If you have any questions, or if you are not sure about any information contained in this booklet please contact us - details at the end of the booklet.

This appliance is intended to be used in household and similar domestic applications, see guarantee page for definition of domestic use*.

Throughout this manual the following symbols are used.



Contents

Warning and Safety information	p.4	1. Cooker hood overview	p.6
Before using the cooker hood	p.4	Control panel overview	p.6
Metal surfaces of the cooker hood and condensation	p.4	2. Installation	p.7
SAFETY	p.4	Methods of extraction	p.7
General safety	p.4	Ducting mode (No carbon filter required)	p.7
Children and general safety	p.5	Recirculation mode (Carbon filter required)	p.7
Safety when working with electricity	p.5	Part identification	p.8
Electrical connections	p.5	Installing the cooker hood	p.9
Waste Electrical and Electronic Equipment	p.5	Electrical connection	p.14
Danger of toxic fumes	p.5	3. Operating the cooker hood	p.15
		Control panel	p.15
		4. Care and Maintenance	p.16
		General cleaning	p.16
		Grease filters	p.16
		Carbon filters	p.17
		Replacing lamps	p.17
		5. Problem Solving	p.18
		6. Technical specification	p.18
		7. Guarantee	p.19

Warning and Safety information



Please read these instructions. The manufacturer is not responsible if an incorrect installation and use causes injuries and/or damage. Always keep the instructions with the cooker hood for future reference.

Before using the cooker hood

- Make sure that you have removed all packaging, wrappings, stickers and films from the cooker hood
- It is recommended that you clean the cooker hood's surface before using for the first time.

Metal surfaces of the cooker hood and condensation

When cooking with pans using a large water content, large quantities of vapour and steam can be produced very quickly. This steam may condense onto the cold metallic surfaces of the cooker hood and even the splash back area if tiled, glazed etc. (This is not a fault with either the hob or cooker hood if correctly installed.)

The amount of this condensation on any particular surface will depend on many factors including the ambient temperature in the kitchen, the related ambient temperature of the metal surfaces, the general ventilation within the kitchen, the type of food being cooked and duration. Using lids on pans can help reduce the amount of steam being released and subsequent condensation.

SAFETY

This appliance is for domestic extraction purposes only. It must not be used for other purposes. Commercial use will void the guarantee.

The manufacturer shall not be liable for any damage caused by improper use, installation or handling errors.

General safety

This product is not intended to be used by persons with physical, sensory or mental disorders or unlearned or inexperienced people (including children) unless they are supervised by a person who will be responsible for their safety or who will instruct them accordingly in the use of the product.

- **Do not** operate the product if the power cable is damaged. Call a qualified service agent.
- **Do not** carry out any repairs or modifications on the product. However, you may remedy some the problems that do not require any repairs or modifications. See Problem solving.
- Never wash down the product with excessive water, as there is the risk of electric shock!
- Never use the product when your judgment or coordination is impaired by the use of alcohol and/or drugs.
- Product must be disconnected from the mains during installation, maintenance, cleaning and repair procedures.
- Repair procedures must always be performed by qualified service agents. The manufacturer shall not be held responsible for damages arising from procedures carried out by unauthorised persons, which may also void the guarantee.
- **DO NOT** flambé under the cooker hood.
- Keep all ventilation slots clear of obstructions, as this may cause premature failure of the appliance.
- **Do not** trap the mains cable and do not route it over surfaces which may become hot. The cable insulation may melt and cause a fire as a result of a short circuit.
- Make sure that the product function buttons are switched **OFF** after every use.
- Product must be installed by a person in accordance with the regulations in force otherwise, the guarantee may become void.

Warning and Safety information



Children and general safety

Electrical products can be dangerous to children. Keep children away from the product when it is operating and do not allow them to play with or near the product.

The packaging materials will be dangerous for children. Keep the packaging materials away from children. Please dispose of all parts of the packaging according to environmental standards.

Safety when working with electricity

In case of any damage, switch off the product and disconnect it from the mains. To do this, turn off the fuse at the fuse box.

Make sure that fuse rating is compatible with the product.

Electrical connection

- The appliance must be connected to fixed wiring via the use of a double pole switched fused spur outlet with at least 3mm contact separation, the isolation switch must be accessible after installation.
- The fuse rating can be found in the Technical specification table.
- This appliance must be earthed.
- The electrical connection must comply with current local and national safety regulations (BS 7671 in the UK).
- **Do not** connect the appliance to the mains electricity by an extension lead or multi-adapter.
- The appliance must not be used with energy-saving plug devices. The appliance will not function correctly and may overheat.
- If the mains cable needs to be replaced this must be done by a suitably qualified person.
- Check that the appliance is working correctly.

Waste Electrical and Electronic Equipment (WEEE)



This product bears classification symbol for waste electrical and electronic equipment (WEEE). This product has been manufactured with high quality parts and materials which can be reused and are suitable for recycling. Do not dispose of the waste product with normal domestic and other wastes at the end of its service life. Take it to the collection centre for the recycling of electrical and electronic equipment. Please consult your local authorities to learn about these collection centres.

This appliance complies with all relevant safety standards.

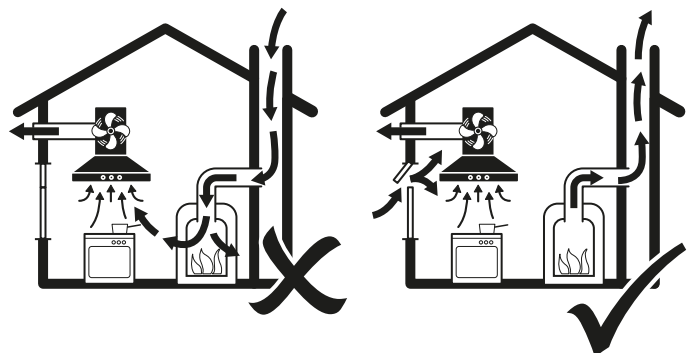
Danger of toxic fumes

Care should be taken when using the cooker hood in the same room or same area of the house at the same time as another heating appliance that depends on the air from the room.

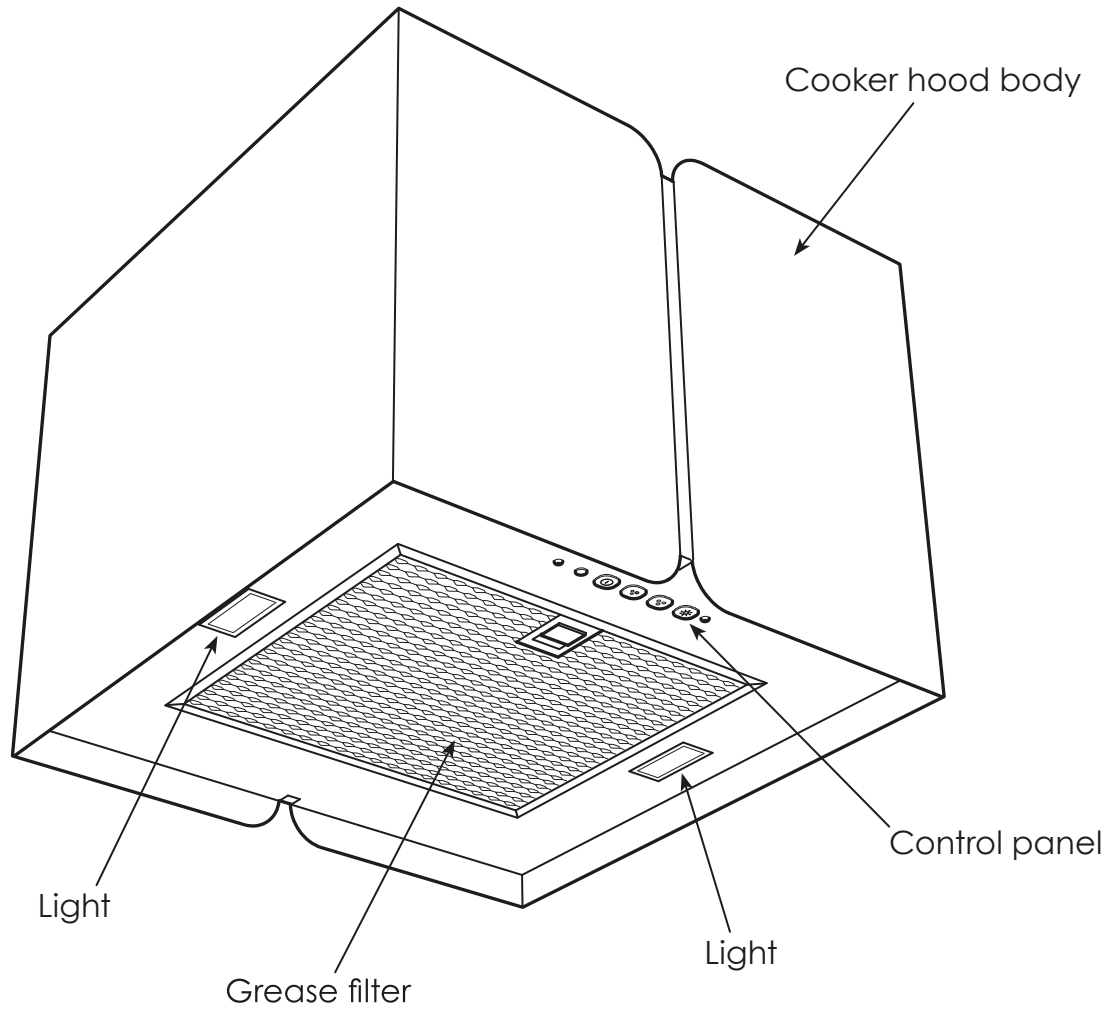
If there is insufficient air, an under pressure will occur. The heating appliance may be starved of oxygen. This impairs combustion. Harmful gases could be drawn back into the room.

Sufficient ventilation must be maintained by air inlets which cannot be blocked, e.g. in windows, doors and outside wall vents.

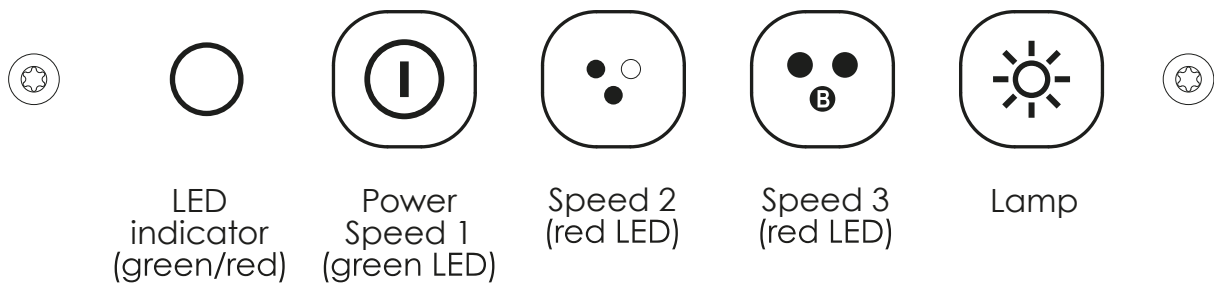
If the cooker hood is being operated in recirculation mode, whereby the air is redirected into the room, the above restrictions do not apply.



1. Cooker hood overview



Control panel overview

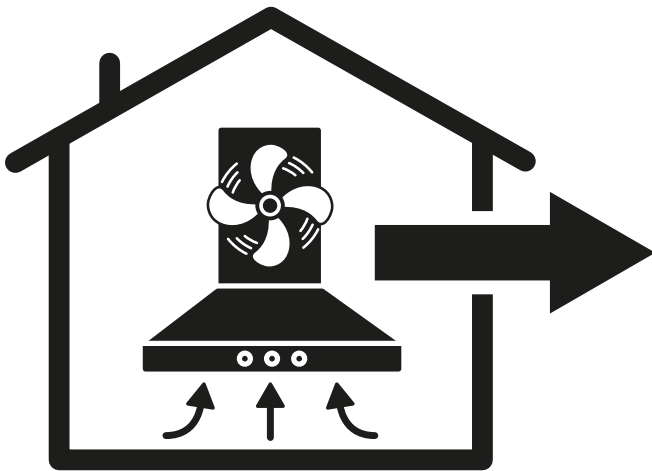


2. Installation

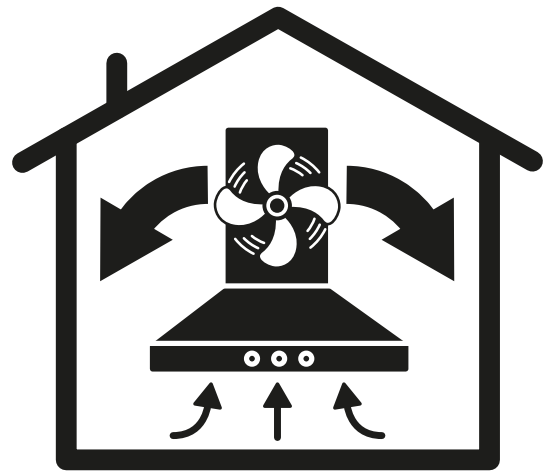
Methods of extraction

The very best method of clearing the kitchen of unwanted odours is by connecting the appliance to an exhaust duct and venting to the outside atmosphere via the ceiling or an exterior wall. (Suitable ducting kits may be purchased from your local Howdens depot or online.) You do not need carbon filters when using the external ducting mode.

Extraction via exhaust ducting (vented outside)



Extraction via recirculation (vented internally)



Ducting mode.

(No carbon filters required).

Ducting kits supplied separately.

Never use the hood in areas where devices with exhaust pipes connected to the outside are already operating unless perfect ventilation can be guaranteed.

There must be adequate ventilation in the room when the cooker hood is used at the same time as an appliance burning gas or other fuels.

- Connect the external ducting kit to the outlet of the cooker hood.

⚠ Carbon filters are not required if the cooker hood is to be ducted out.

Tips for ducting optimal air extraction:

- Keep duct work short and straight.
- Do not reduce the size or diameter of the duct.
- Keep ductwork taut to minimise pressure loss.

Recirculation mode.

(Carbon filter required).

For extraction via recirculation, install carbon filters.

These can be ordered separately from your local Howdens depot or online.

⚠ Ensure power is switched off to the cooker hood before installing/changing the carbon filter(s).

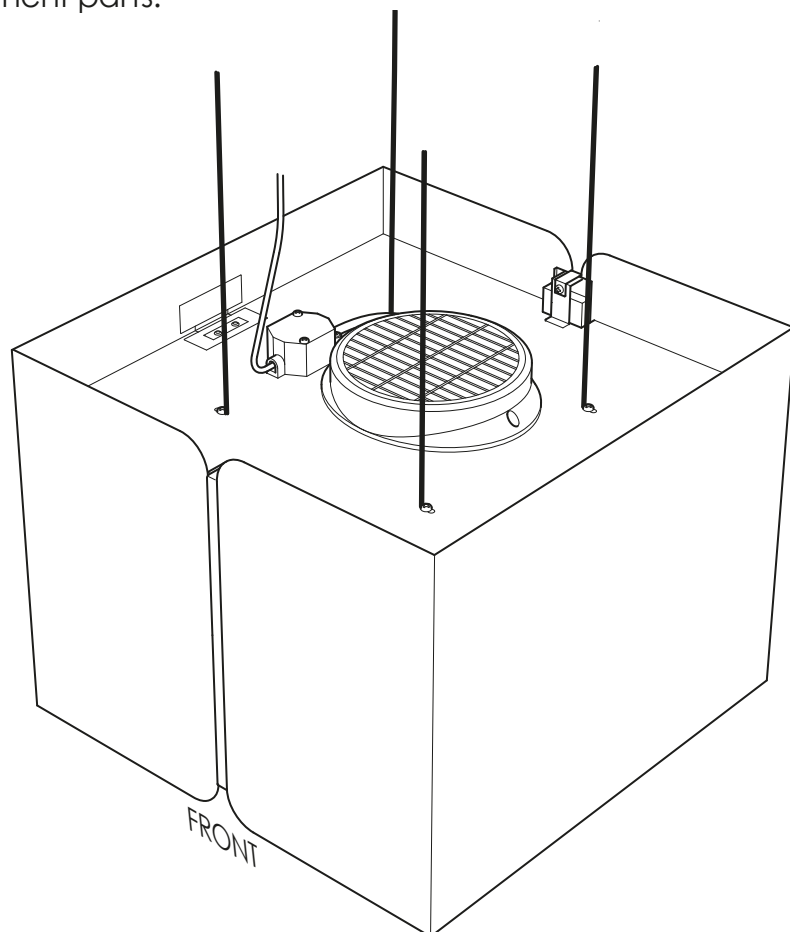
See Care and Maintenance Section for carbon filter installation.

Part identification

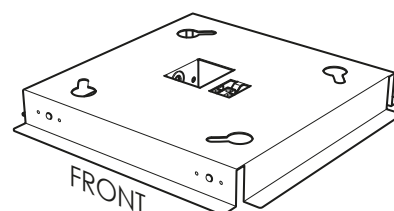
On opening the packaging, remove and identify each component part.

Carefully place each part on a clean, scratch free surface.

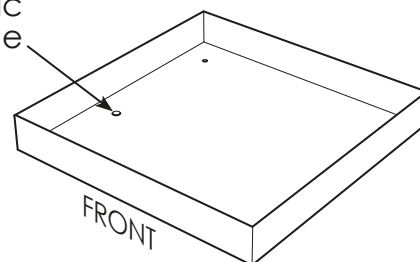
Do not scratch the finished surfaces of the component parts.



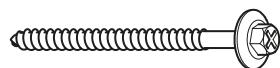
Main hood body



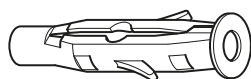
Electric cable hole



Ceiling bracket and cover



4x Mounting screws



4x Rawl plugs



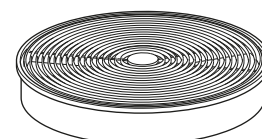
1x Cable grommet



4x Wire grommet



4x 9mm Round head screw

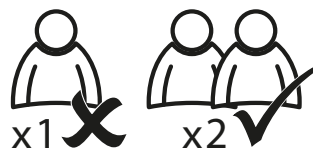


2x Carbon filters

Installing the cooker hood

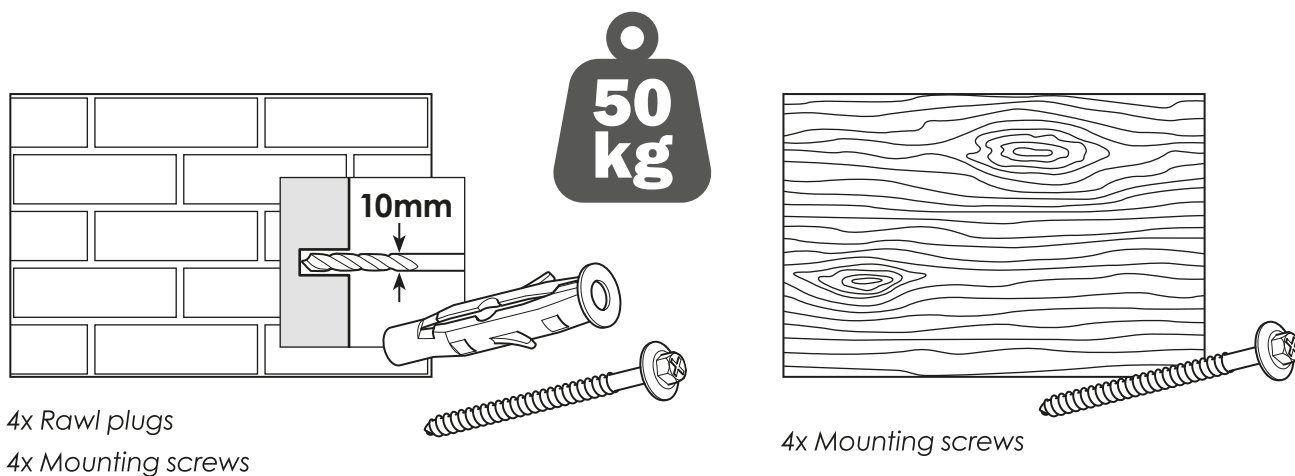
⚠ These instructions must be strictly adhered to. Failure to comply could result in overheating and serious damage to your appliance.

It is recommended that the installation is carried out by two people.

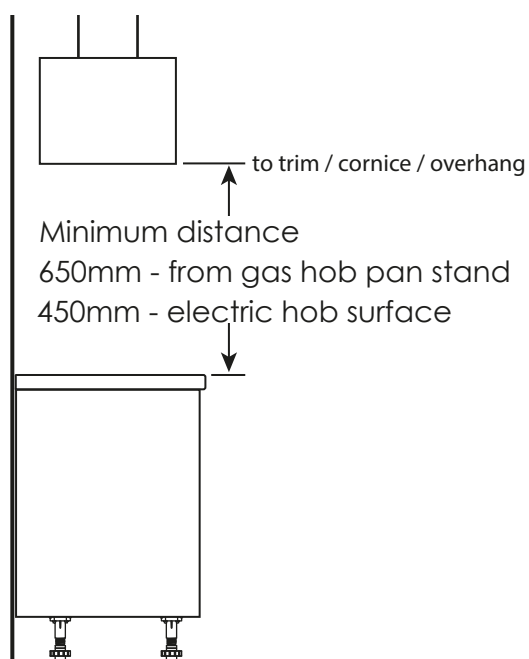


⚠ Before drilling or chiselling the wall or ceiling, check for pipes and power cables.

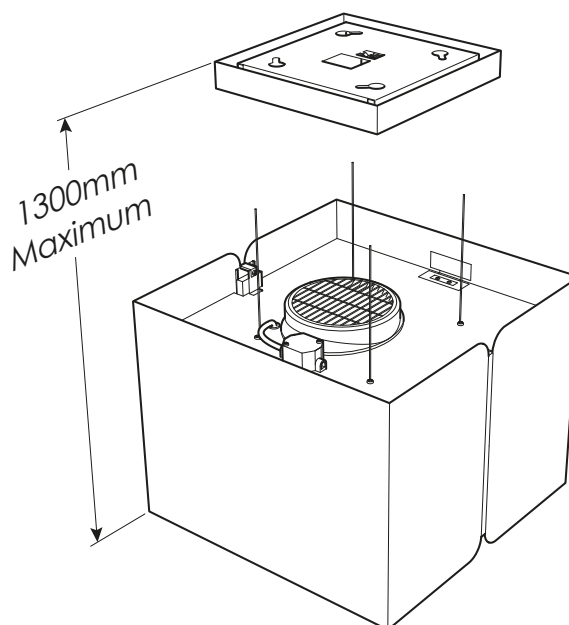
⚠ Determine the most suitable fixing, depending upon type of ceiling and construction.



① Minimum distance above hob.

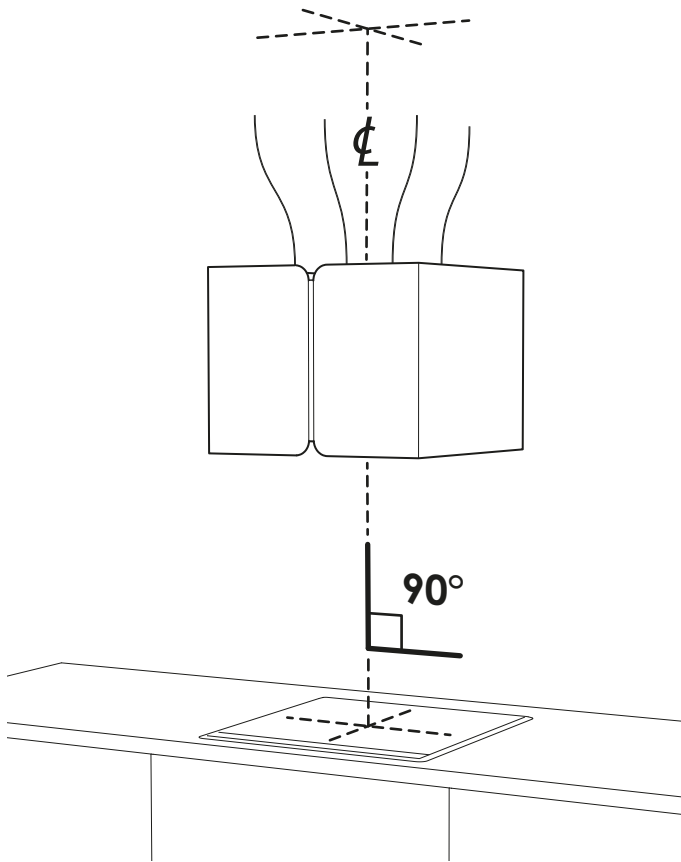


② Maximum distance to ceiling.

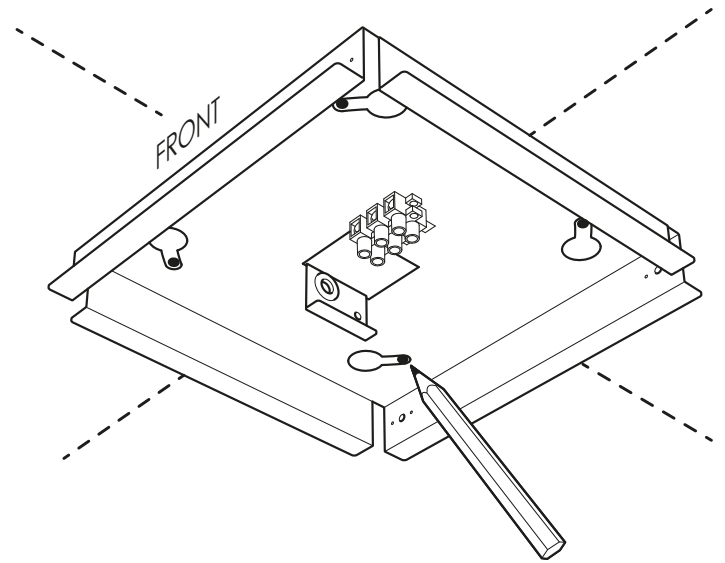


Installing the cooker hood

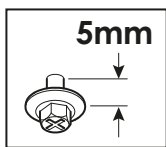
- ③ Mark the centre of the ceiling bracket directly above the hob.



- ④ Mark the 4 fixing positions for the ceiling bracket.

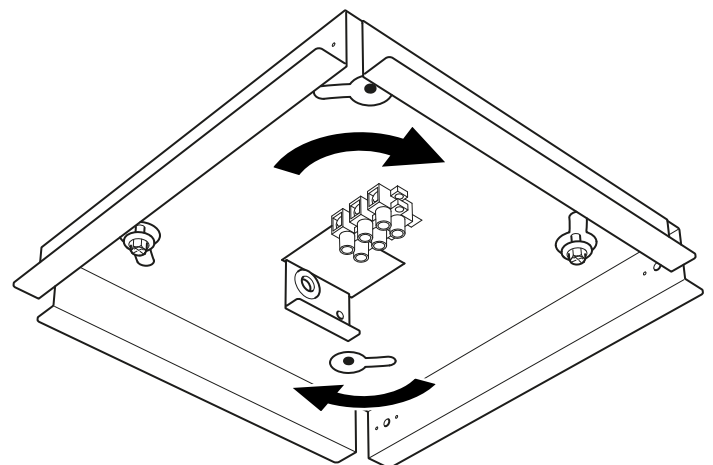


- ⑤ Secure two screws, leaving **5mm** between screw head and ceiling.



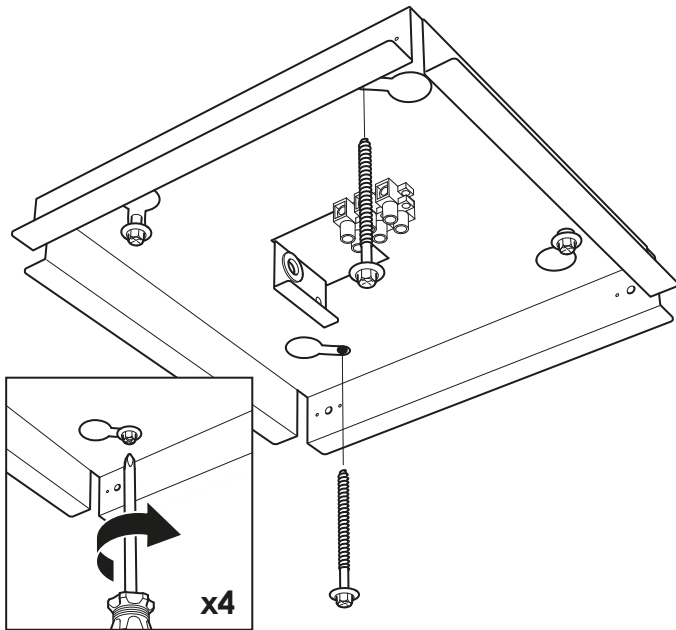
2x Mounting screws

- ⑥ Locate ceiling bracket and rotate.



Installing the cooker hood

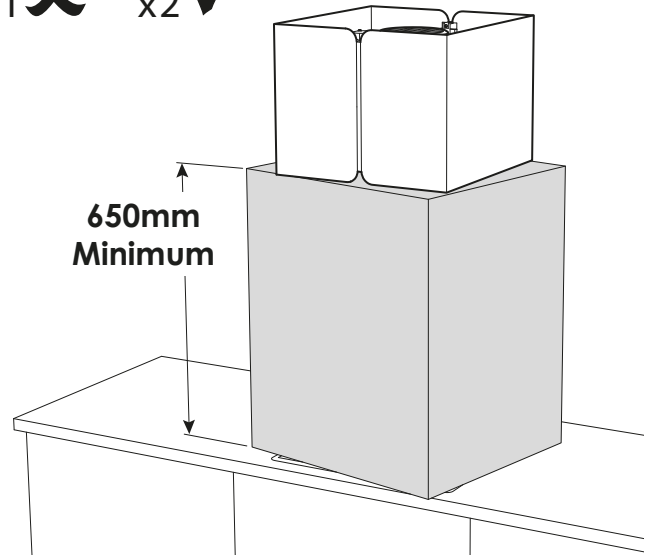
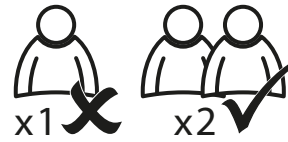
- ⑦ Secure two additional screws and tighten all screws **x4**.



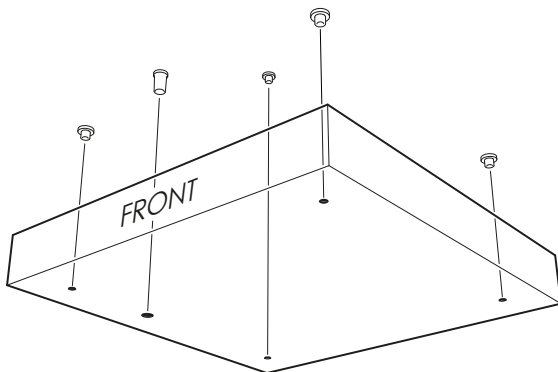
2x Mounting screws

- ⑧ Use a non-metallic object to place the cooker hood on, at least **650mm** above the hob surface, eg. the packaging box.

⚠ **Ensure the hob is disconnected from the mains electric.**



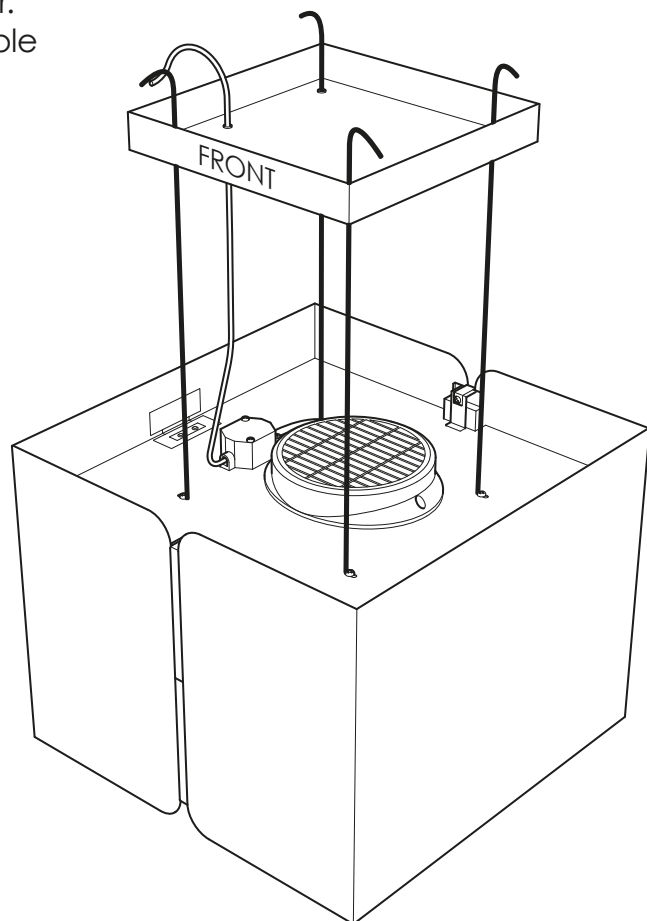
- ⑨ Insert grommets into ceiling bracket cover. Thread the support wires and electric cable through the cover.



1x Cable grommet

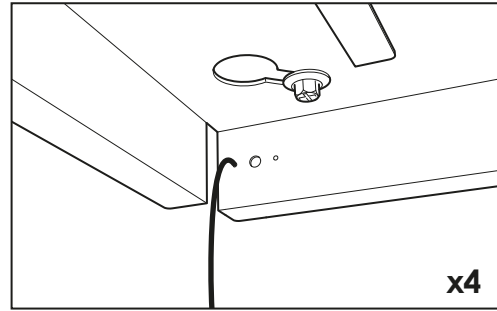
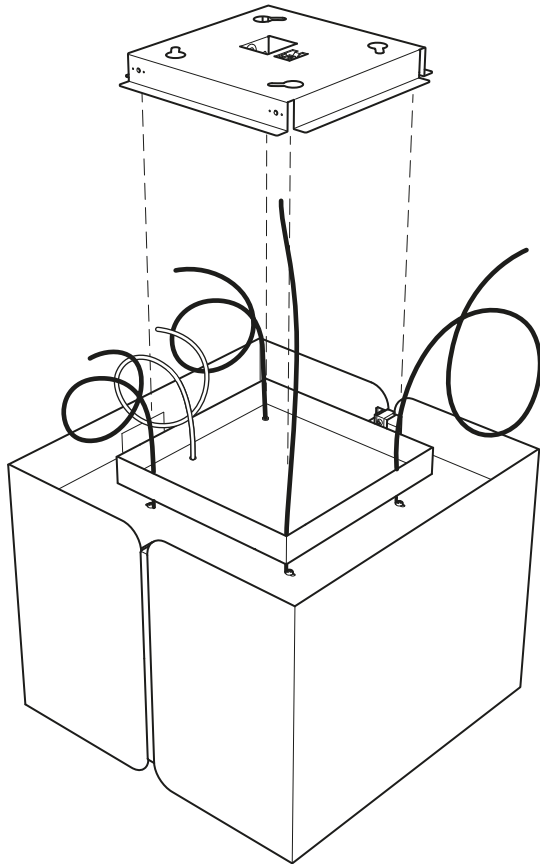


4x Wire grommet

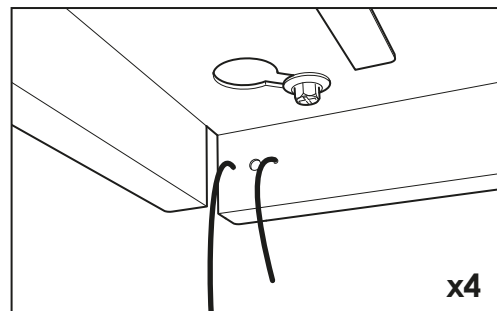


Installing the cooker hood

- ⑩ Thread the support wires into the ceiling bracket, **x4**.

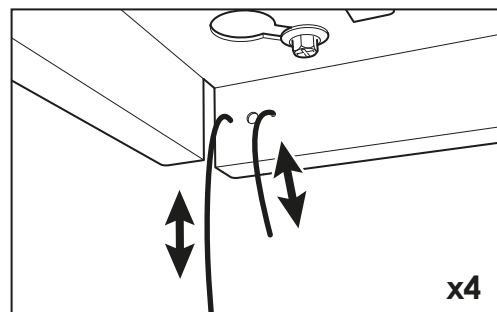
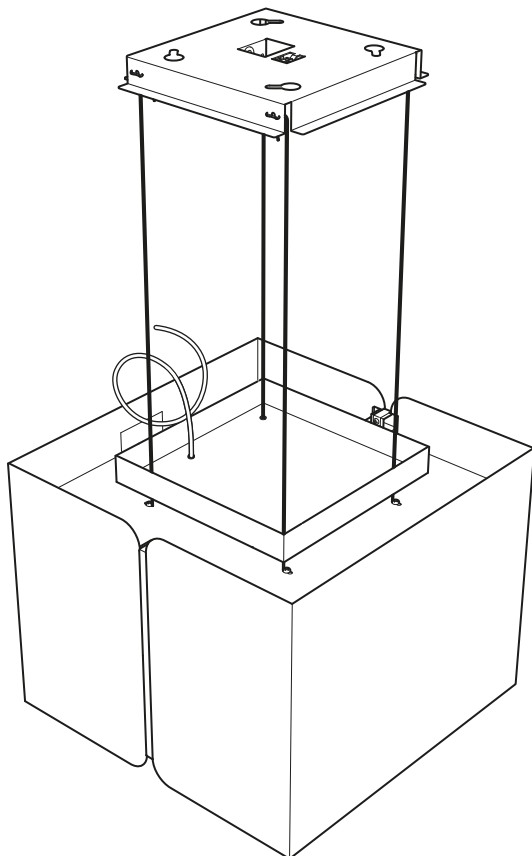


- 10a.** Thread from the inside of the ceiling bracket.

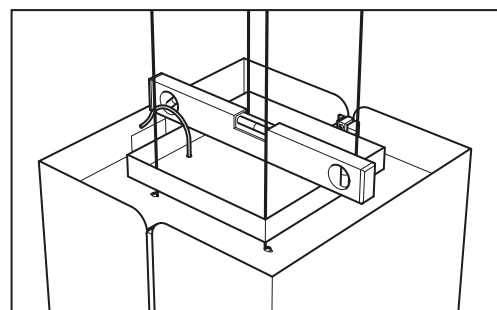


- 10b.** Thread back into the inside of the ceiling bracket.

- ⑪ Adjust the support wires to achieve the required height from the hob and for levelling the cooker hood.



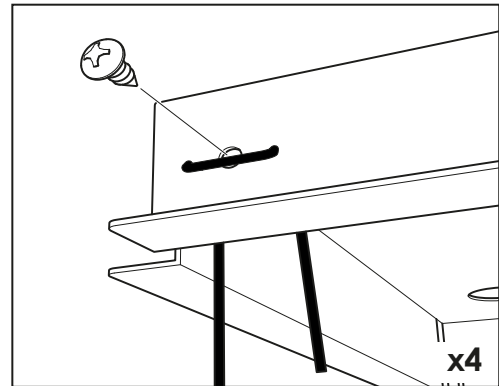
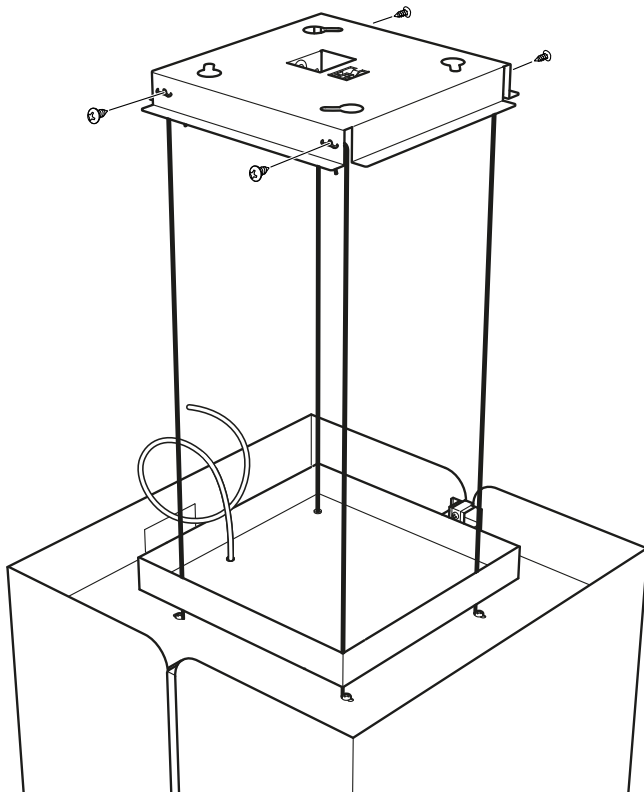
- 11a.** Adjust the support wires.



- 11b.** Ensure cooker hood is level.

Installing the cooker hood

- ⑫ Secure the support wires.

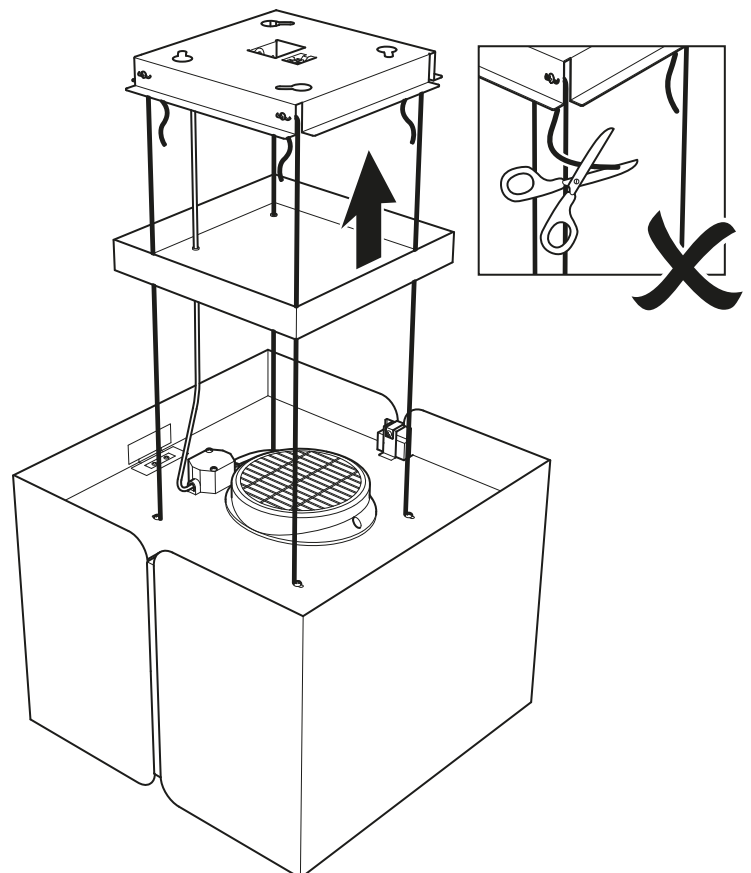
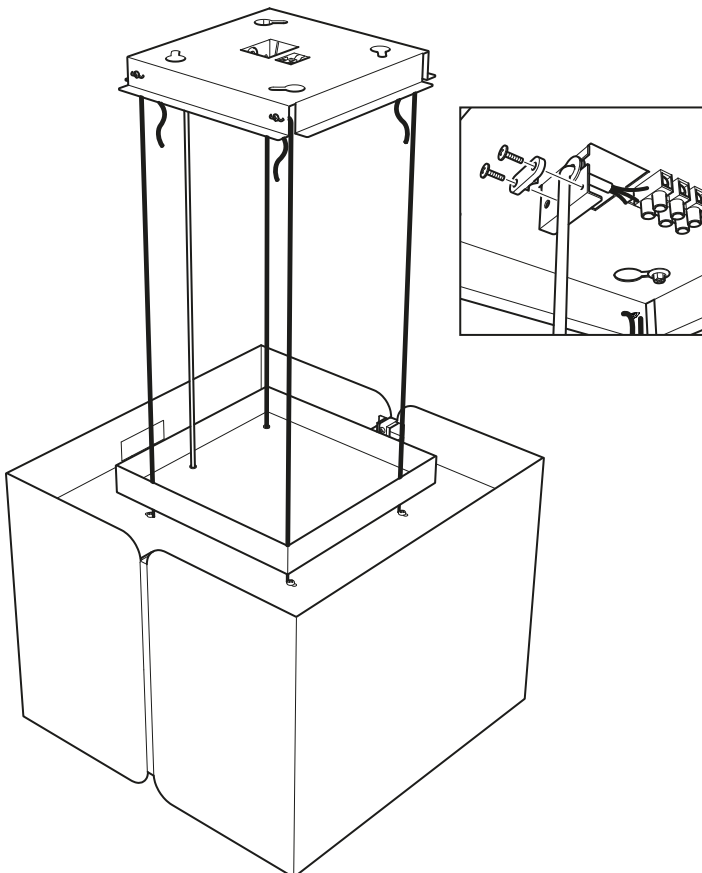


- 12a. Fit screws to secure.

 4x 9mm Round head screw

- ⑬ Connect electric cable.
The electric cable should be connected by a suitably qualified person.

- ⑭ Position the ceiling bracket cover.
Do not trim the support wires.



DO NOT: Operate the cooker hood without the grease filters.

Electrical connections

⚠ IMPORTANT: Ensure that the electricity supply is switched off before connecting.

When fitting in recirculation mode (with carbon filters) ensure the cable is shortened and securely held in place or a cable grid is fitted to prevent the loose cable from falling back into the motor cavity.

Your appliance must be connected to fixed wiring via the use of a double pole switched fused spur outlet with at least 3mm contact separation, the isolation switch must be accessible after installation. (See technical data for fuse rating).

The appliance should be connected by a suitably qualified person. The product must be installed in accordance with all local regulations.

ⓘ The terminology DOUBLE POLE -/+ means that both the live and neutral supplies are switched and disconnected at the same time.

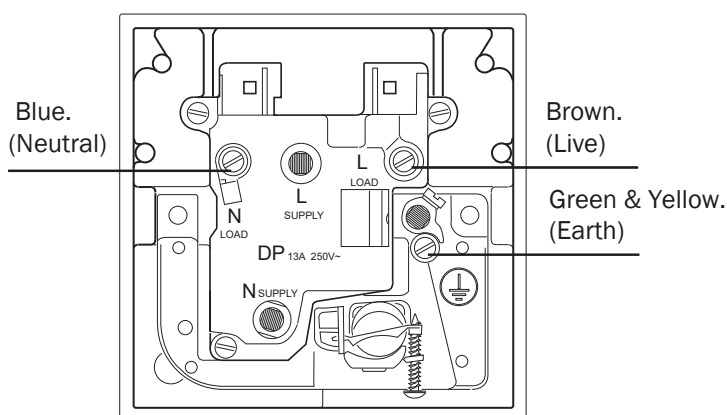
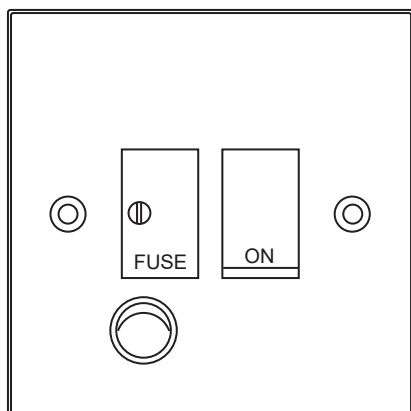
The terminations labelled SUPPLY are the connections for the internal house wiring and the terminations labelled LOAD are for connection to the appliance.

IMPORTANT: The wires in the mains lead are coloured in accordance with the following code:-

Blue.....Neutral
Brown.....Live
Green/Yellow.....Earth

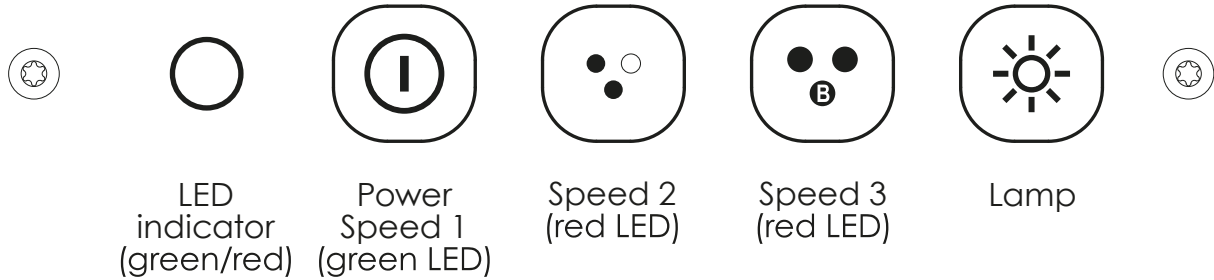
As the colours of the wires in the mains lead of this appliance may not correspond with the coloured markings identifying the terminals in your spur box, proceed as follows;

The wire which is coloured blue must be connected to the terminal which is marked with the letter 'N' or coloured BLACK. The wire which is coloured brown must be connected to the terminal which is marked with the letter 'L' or coloured RED. The wire which is coloured Green and Yellow must be connected to the terminal which is marked with the letter 'E' or \perp symbol.



3. Operating the cooker hood

Control panel



○ **LED indicator** (green and red);

① **Power, Speed 1;**
Press button to switch cooker hood On/Off.
LED shows green.

⦿ **Speed 2;**
Press button to activate speed 2.
LED shows red.

⦿ **Speed 3;**
Press button to activate speed 3.
LED shows red.

☀ **Lamp;**
Press lamp button to switch on.

Repeat pressing will switch the lamp on or off.

Note: The lamp is not controlled by the Power On/Off button

4. Care and Maintenance

⚠ Before cleaning or attempting any type of maintenance, always make sure that the electricity supply is disconnected.

⚠ To avoid the possibility of fire, adhere strictly to all of the recommendations included in this booklet, paying particular attention to the grease filters to ensure grease deposits do not build up.

⚠ CAUTION: Accessible parts may become hot when used with cooking appliances.

The manufacturer declines all liability in cases where the instructions for the appropriate installation, maintenance and use of the cooker hood are not observed.

If the power cable is cut or damaged in any way, disconnect the cooker hood from the electricity supply and call the service number on the rear cover of this booklet or a suitably qualified repairer.

General cleaning

Wipe the external surfaces of the appliance regularly using warm water and a mild detergent. **NEVER** use abrasive cleaners, or strong household cleaners as they may affect the appearance of the product and/or artwork on the control panel, voiding the manufacturers warranty.

Stainless steel

The stainless steel must be cleaned regularly to ensure long life. Dry with a clean soft cloth. A specialised stainless steel cleaning fluid may be used.

Note: Ensure that wiping is done along the grain of the stainless steel to prevent any unsightly criss-cross patterns appearing.

Grease filters

The grease filter should be cleaned every three months or sooner depending on the type of cooking being performed.

The grease filter is of a metallic material and should be washed regularly using a neutral detergent.

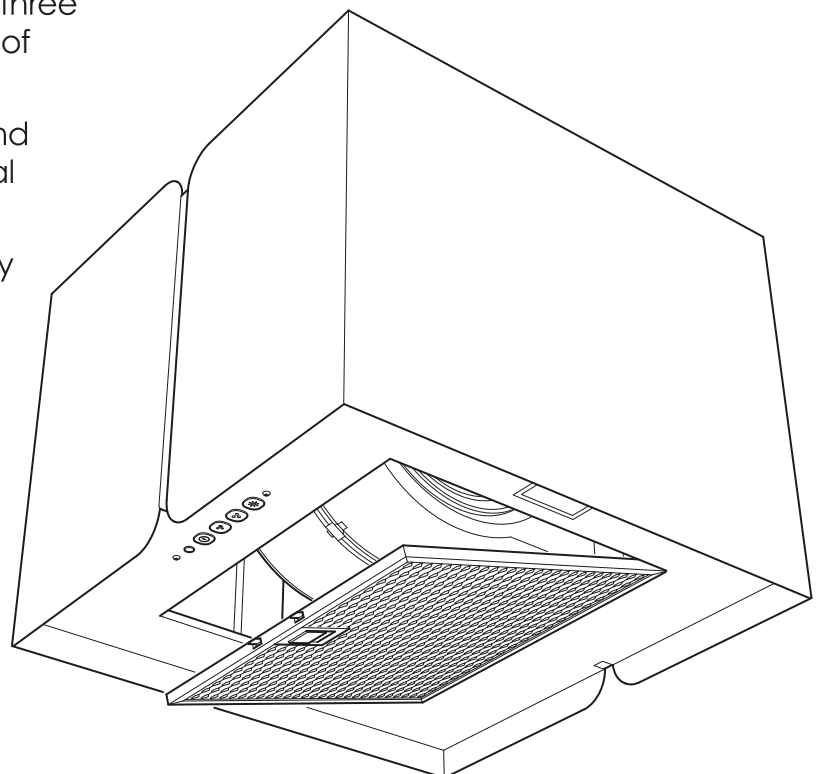
Grease filters should be washed separately to crockery and kitchen utensils.

Grease filters should be thoroughly dried before reinstalling on the hood.

To remove the grease filter:

1. Push latch.
2. Lower filter and remove.

Install by reversing the process.



Carbon filter (supplied separately)

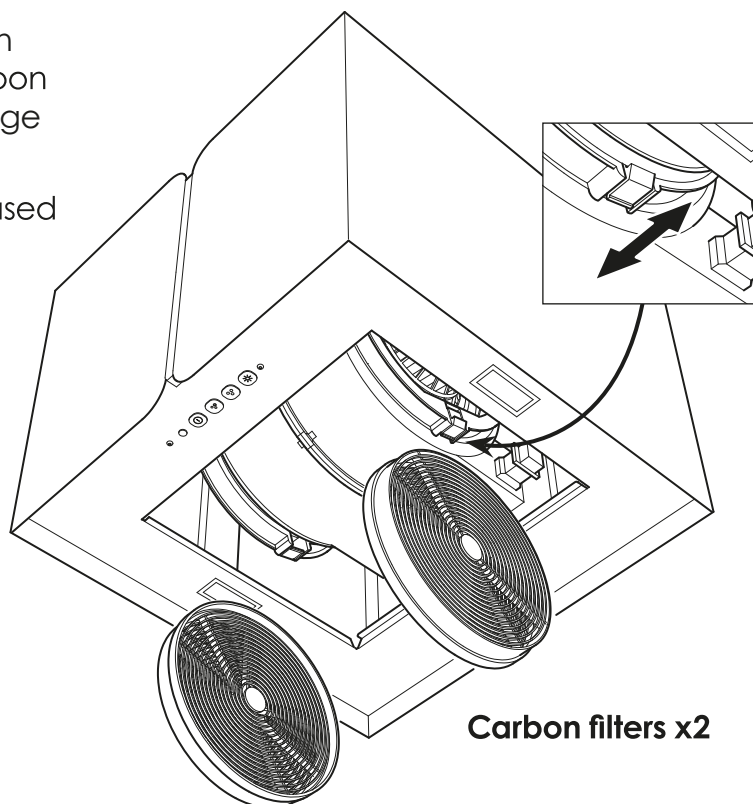


Before attempting to change or fit a carbon filter(s) ensure power to the cooker hood is switched off.

Carbon filters have a limited life. We advise changing them when there is a noticeable drop in performance. The intervals between changing the filter(s) will depend entirely upon the amount of cooking done, but on average will last about 3 months.

Replacement carbon filters may be purchased from your local Howdens depot or online. Part No. LAM2004.

- To gain access to the carbon filter(s), first remove the grease filter.
- Remove the old carbon filter(s) by releasing the retaining clip.
- Install by reversing the process.
- Refit grease filter.
- Reconnect the power supply.



Replacing lamps

The lamps on this model are **service fix only and replacement** should be carried out by an authorised service agent.


The cooker hood is fitted with LED lamp(s) which will give many years of reliable service. In the event of the lamp(s) failing please call the service number.

The lamp(s) on this appliance should only be used during operation of the cooker hood. They should not be left on permanently and used as a main lighting source. The cooker hood is for domestic use only.

Only use replacement lamps of type:	LED	
	Rectangle LED lamp 2 x 1W	
	AC 220-240V	

5 - Problem solving

PROBLEM SOLVING		
Symptoms	Possible cause	Solutions
Light functions but fan does not.	<ul style="list-style-type: none"> Motor temperature has exceeded and the thermal fuse has tripped. 	<ul style="list-style-type: none"> Switch off the cooker hood and allow it to cool down and the fuse will auto reset. Check the filter condition and clean or replace as required.
Lamps fail to operate.	<ul style="list-style-type: none"> Lamps internal fault. Power cut (cooker hood will not function). Lamp has passed its usable life. 	<ul style="list-style-type: none"> Call an authorised service agent.
Motor is on but fan is not as efficient as usual.	<ul style="list-style-type: none"> Clogged filters can reduce the product's efficiency. Check the grease and carbon filters, (if fitted), also ensure any venting is not obstructed. 	<ul style="list-style-type: none"> Clean the grease filters with warm water and mild detergent. Replace carbon filter, (if fitted).
The cooker hood works normally but smells linger.	<ul style="list-style-type: none"> Clogged filters can reduce the product's efficiency and may cause unwanted smells. 	<ul style="list-style-type: none"> Clean the grease filters with warm water and mild detergent. Replace carbon filter, (if fitted).
Product does not operate.	<ul style="list-style-type: none"> The mains fuse may be defective or has tripped. Product is not connected properly. 	<ul style="list-style-type: none"> Check fuses in the fuse box. If necessary, replace or reset them. Check all power connections.

 If you cannot eliminate the problem after following the instructions in this section, consult your local Howdens dealer or an Authorised Service Agent. Never try to repair a non functional product yourself.

Metal surfaces of the cooker hood and condensation

When cooking with pans using a large water content, large quantities of vapour and steam can be produced very quickly. This steam may condense onto the cold metallic surfaces of the cooker hood and even the

splash back area if tiled, glazed etc (This is not a fault with either the hob or cooker hood if correctly installed). The amount of this condensation on any particular surface will depend on many factors including the ambient temperature in the kitchen, the related ambient temperature of the metal surfaces, the general ventilation within the kitchen, the type of food being cooked and the duration. Using lids on pans can help reduce the amount of steam being released and subsequent condensation.

6 - Technical specifications

TECHNICAL INFORMATION	
General	
Total power consumption	272 W
Fuse	3 Amp
Voltage / Frequency	220-240 V 50 Hz
Cable type / section	3 core 0.75mm ²
Cable length	1.4 Metres
Lamps	2 x 1 W LED 4000 K
Lighting efficiency class	A
Carbon filter	LAM2004

7 - Guarantee

Product Guarantee Details (UK & Republic of Ireland only)

Your appliance has the benefit of a comprehensive manufacturer's guarantee which covers the cost of breakdown repairs. (Details of which are shown on your Proof of Purchase Document).

- Any claim during the period of the guarantee **MUST BE ACCOMPANIED BY THE PROOF OF PURCHASE.**
- The product must be correctly installed and operated in accordance with the manufacturer's instructions and used for normal domestic purposes.
- This guarantee does not cover accidental damage, misuse or alterations which are likely to affect the product.
- The guarantee is invalid if the product is tampered with, or repaired by any unauthorised person.
(The guarantee in no way affects your statutory or legal right).

What to do if you need to report a problem.

Please ensure you have ready:

- The product's model and serial numbers.
- Howdens Proof of Purchase Document.
- Your full contact details.

Call the Depot number on your Proof of Purchase Document supplied with the product/kitchen.

or

**Call the LAMONA Service Line on:
Within UK 0344 460 0006
Within Republic of Ireland 01525 5703**

* Product installed within a domestic kitchen or a non-domestic kitchen where 8 or fewer people are using the appliance.

Spare parts availability - 10 years

Only fit Genuine Spare Parts

www.lamonaspares.co.uk (UK only)

Where to find the model and serial number on the appliance.	Inside the body of the cooker hood.
---	-------------------------------------



Product serial number
(Place sticker here)

LAMONA
at the heart of the kitchen



Points de collecte sur www.quefairedemesdechets.fr
Privilégiez la réparation ou le don de votre appareil!

Howden Joinery Ltd. Thorpe Road, Howden, East Yorkshire. DN14 7PA

Imported in EU by: Howdens Cuisines SAS. Z.A. du Bois Rigault Nord,
1 Rue Calmette, 62880 Vendin-le-Vieil, Cedex, France

Product information correct at the time of publication in January 2022.

The company has a policy of continuous product development and reserves the right to change any products and specifications given in this manual. Subject to the Terms and Conditions of Trading, a copy of the Howdens Terms and Conditions is available upon request.

Copyright © 2022 Howden Joinery Ltd. All rights reserved.