



### All the taste, Half the time

A succulent roast chicken, a creamy Dauphinoise, a rich beef casserole - all achieved in just half the time a conventional oven would require. The CombiQuick oven is the faster way to exceptional flavours and exciting dishes, combining hot air fan cooking with the speed of a microwave to give you the mouthwatering finish and

## Product Benefits & Features

### Microwave-grill combination. Fast Cooking with a crisp finish

Combine the power of a grill and the efficiency of a microwave, with Fast Cooking. Melt mozzarella-topped toasties, or harden a crème brûlée's sugared lid, all in the microwave. Versatile cooking, mastered.

- Compact built-in oven
- Oven with integrated microwave function
- Microwave power: 1000 Watt
- Oven cooking functions: Bottom heat, Conventional cooking + Microwave, Conventional/Traditional cooking, Defrost + Microwave, Frozen foods, Grill + Microwave, Grilling, Microwave, Pizza setting, Reheat + Microwave, True fan cooking, True fan cooking + Microwave, Turbo grilling, Turbo grilling + Microwave
- Oven cavity with 2 baking levels
- Fast oven heat up function
- Automatic temperature proposal
- Electronic temperature regulation
- Electronic Child Lock safety function
- Residual heat indication
- Automatic safety switch off oven function
- Retractable knobs
- Electronic oven functions overview: 45 variety of pre-set cooking programmes "Assist", Acoustic signal, Alarm/error tones, Automatic safety switch off only oven, Buzzer volume adjustable, Child lock (in off mode), Cooking with Duration, Cooking with End Time and Duration, Count up timer, Delayed start (Time delay), Demo mode with code, Display Brightness adjustable (ON status), Door switch for light, Electronic temperature regulation, Fast heat up selectable, Function lock (in running mode), Key tones menu with deactivation, Menu non-connected, Minute minder, Oven light on/off selectable (menu + direct access button), Real temperature indication (°C), Residual heat indication, Service info, Temperature proposal, Time of day
- Halogen oven lighting
- Oven light automatic at door opening
- High gloss enamel oven lining, easy to clean
- ISOFRONT® PLUS cool oven door
- Fan stops when opening the door
- Cooling fan
- Trays supplied with the oven: 1 Cake tray grey enamel, 1 Glass plate
- Grids supplied with the oven: 1 Wire shelf chromed
- Demo mode
- Electric cable length: 1.5 m

### Fast heat-up time, to get you cooking quickly

Superior and quick cooking results - this oven heats up fast, giving you more time to enjoy the meal with your family and friends.



### Effortless control. EXPLORE LED Display with Touch buttons

Explore a new way to experience your oven with the responsive EXPLORE LED Display with touch buttons. The vibrant interface gives you quick access and dynamic control of cooking time, temperature, and other features.

### Cooked Evenly everywhere

With this oven, using energy efficiently also means cooking efficiently. It has a new convection system called Hot Air, which ensures hot air circulates evenly throughout the oven cavity. The result is that the oven heats up faster and cooking temperatures can be reduced by up to 20%, saving you both time and energy

### A quicker way to toast and crisp

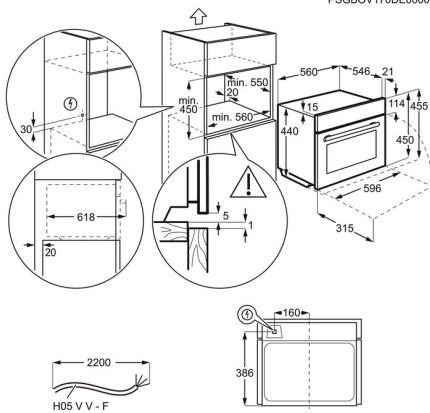
This highly efficient grill takes less time than traditional ovens, and will toast, crisp or brown your dishes to precision.

**Product Specification**

Product Installation	Built_In
Product Typology	BI_Oven_Electric
Product Classification	Exploration
Type	Compact
Installation	BI
Size	46x60
Oven Energy	Electrical
Cooking	Microwave/Multifunction
Cleaning top oven	Clean Enamel
Cleaning bottom oven	No
Nº of cavities	1
Design family	Mastery Range
Main colour	Black
Control Panel material	Glass With Decor Trim
Type of doors	4 Glasses, Brand Logo on Glass, KR Graphic, Smiley cut-out big
Type of handle	Metal
Door type bottom oven	No
Door hinges	Drop Down Screwed
Drawer	No
Control lamps	Illuminated symbols
Hob control	No
Left front - Hob control	No
Rear - Hob control	No
Right front - Hob control	No

Right rear - Hob control	No
Thermostat	Top
Type of timer min.	LUX
Electronic Oven Control	LUX CombiMW
Feature Electronics	45 variety of pre-set cooking programmes "Assist", Acoustic signal, Alarm/error tones, Automatic safety switch off only oven, Buzzer volume adjustable, Child lock (in off mode), Cooking with Duration, Cooking with End Time and Duration, Count up timer, Delayed start (Time delay), Demo mode with code, Display Brightness adjustable (ON status), Door switch for light, Electronic temperature regulation, Fast heat up selectable, Function lock (in running mode), Key tones menu with deactivation, Menu non-connected, Minute minder, Oven light on/off selectable (menu + direct access button), Real temperature indication (°C), Residual heat indication, Service info, Temperature proposal, Time of day
Heating function top oven	LUX CombiMW

PSGBOV170DE0000K



PSGBOV170DE0000L

