



### Your kitchen, your way.

Get the Kitchen Design Freedom you need. This duo combines an induction hob with a powerful integrated extractor, so you don't have to worry about a hob and separate hood. Now you can plan your kitchen layout with the freedom your creativity needs.

## Product Benefits & Features



### Get the Kitchen Design Freedom to plan your kitchen your way

This combination of an induction hob with a powerful integrated extractor gives you the Kitchen Design Freedom you need. Now you have more space for your versatile kitchen layout ideas.

- Child safety lock function
- Indicator for grease filter saturation
- Indicator for carbon filter saturation



### Get flexibility on both sides of the hob with Double FlexiBridge

Double FlexiBridge lets you use either the right or left side of the hob to customise your own cooking area by combining up to four zones. Allowing you to cook with pots, pans, and even planchas of different sizes for ultimate flexibility.



### After cooking, quietly clear the kitchen air with Breeze

After the cooking is done you want to be able to enjoy your meal and discreetly freshen the kitchen air. The Breeze function quietly clears the kitchen air, without disturbing the ambiance for you and your guest.

### Easy to clean. Easy to remove. 2-in-1 Filter

The 2-in-1 Filter combines both a charcoal and grease filter that removes odours and grease. If the appliance is installed in recirculation mode, then a 2-in-1 filter is needed. The Filter is easy to remove and can be washed in the dishwasher.

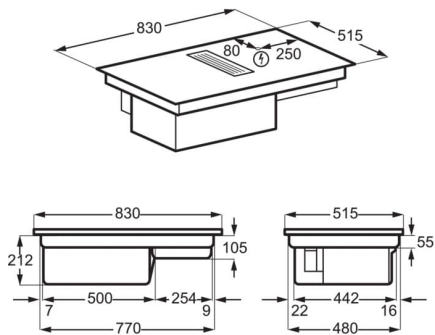
### Get the most out of your appliance with the My AEG Kitchen App

The My AEG Kitchen App elevates your cooking experience by effortlessly providing step-by-step guides at your fingertips. Helping you get acquainted with your appliance, so you get the most out of all its convenient and exciting features.

## Product Specification

|                                 |                         |
|---------------------------------|-------------------------|
| Frame type                      | Bevelled 4 Sides No     |
| Hobs Dimensions                 | 830x515                 |
| Aperture dimensions HxWxD in mm | 212x780x490             |
| Air Outlet                      | 220                     |
| Filter Type                     | Combined Aluminium mesh |
| Grease filters                  | 2                       |
| Radius cutting                  | 5                       |
| Energy class                    | A+                      |
| Fluid dynamic efficiency class  | A                       |
| Grease filter efficiency class  | B                       |
| Motor Type                      | Brushless               |
| Cord Length (m)                 | 0                       |
| EAN number                      | 7332543817887           |
| Recirculation min, m3/h         | 250                     |
| Recirculation intensive, m3/h   | 585                     |
| Recirculation max, m3/h         | 465                     |
| Recirc sound power min, dB(A)   | 54                      |
| Recirc sound power max, dB(A)   | 70                      |
| ProdPartCode                    | E - Generic Partner All |

PSGBHH220DE0000D



PSGBHH220DE0000F

