



All the taste, Half the time

A succulent roast chicken, a creamy Dauphinoise, a rich beef casserole - all achieved in just half the time a conventional oven would require. The CombiQuick oven is the faster way to exceptional flavours and exciting dishes, combining hot air fan cooking with the speed of a microwave to give you the mouthwatering finish and

Product Benefits & Features

Microwave-grill combination. Fast Cooking with a crisp finish

Combine the power of a grill and the efficiency of a microwave, with Fast Cooking. Melt mozzarella-topped toasties, or harden a crème brûlée's sugared lid, all in the microwave. Versatile cooking, mastered.

- 43 litre oven capacity
- Diamond-glazed enamel interior
- Isofront® plus triple glazed door
- Fan controlled defrosting
- Anti-fingerprint stainless steel
- LED digital display
- 1000W microwave power
- Microwave
- Conventional cooking
- Top heat browning
- Base heat finishing
- Auto safety switch off and child lock

Functional. Integrated. Personalised. Smart Kitchen

Remotely manage your oven, explore our various partners, and even get personalised cooking assistance, all via the My AEG Kitchen App. It's the convenient and easy way to enrich your Smart Kitchen experience.

Pre-heat quicker. With Fast Heat Up

Make more of your time with the Fast Heat Up setting, pre-heating the oven 40% quicker than conventional models. Enjoy minimal waiting before beginning a bake, for great results on your schedule.

EXCite+ TFT Display with Command Wheel. Precision cooking

With the EXCite+ TFT Display with Command Wheel you can precisely and easily control the oven heat, browse programmes, choose functions and even get oven software updates via WiFi. All at the twist of a dial and displayed on the digital screen.

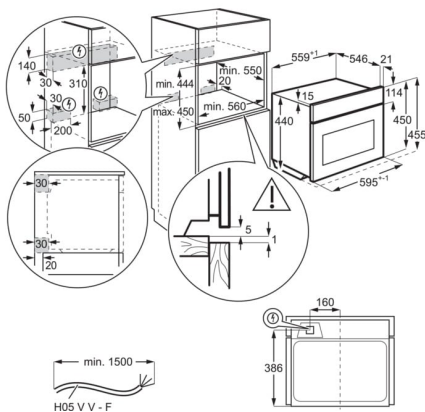
Cooked evenly everywhere

With this oven, using energy efficiently also means cooking efficiently. It has a new convection system called Hot Air, which ensures hot air circulates evenly throughout the oven cavity. The result is that the oven heats up faster and cooking temperatures can be reduced by up to 20%, saving you both time and energy

Product Specification

Cleaning	Clean enamel	Temperature range	30°C - 230°C
Type of timer min.	ITex100R	Maximum Microwave output (W)	1000
	Au Gratin, Bottom heat, Bread baking, Conventional cooking + Microwave, Conventional/Traditional cooking, Defrost + Microwave, Dough proving, Drying, Frozen foods, Grill + Microwave, Grilling, Keep warm, Low temp. cooking/Slow cooking, Microwave, Microwave Max, Pizza setting, Plate warming, Preserving, Slow Cooking, True fan cooking, True fan cooking + Microwave, Turbo grilling, Turbo grilling + Microwave, Microwave function	Energy class	No
CookingFunctions		Energy consumption per EU standard cycle	0
		ProdPartCode	KR
		Main Colour	Stainless Steel
		Bottom oven shelves	1
Plug	No		
Cavity coating	Grey Enamel		
Cavity size	43		
Dimensions (mm) (HxWxD)	455x595x567		
Dimensions (Built-in, mm)	450x560x550		
Total electricity loading, W	3000		
Voltage (V)	220-240		
Required Fuse	16		
Frequency (Hz)	50		
Cord Length (m)	1.5		

PSGBOV180DE0000H



PSGBOV180DE0000J

