

LAMONA

at the heart of the kitchen

Built-In Wine Cooler 600mm

LAM6950



User Instructions and Installation

V1.6 050622

Register
my appliance 

www.howdens.com/appliances-registration



Free 3 year guarantee

Call now¹

Within the UK:

0333 010 0009

Within Republic of Ireland:

01525 5752

Alternatively, visit www.howdens.com/appliance-registration

LAMONA

3 year guarantee available.

Register your appliance within 90 days²

By registering your appliance and creating an account, we will keep you up to date with the latest product information and notify you immediately of any important product updates

¹Lines are open Monday to Friday 9am to 5pm. Calls will be charged at your local rate and may be recorded and monitored for training and quality purposes.

²So that in the event of an important product update, or recall, we can contact you.

Register 
my appliance


Dear Customer,
Congratulations on your choice of wine cooler.


The user manual will help you use your product quickly and safely.


- Please read this user manual before installing and using the appliance.
- Always follow the safety instructions.
- Keep this user manual within easy reach for future reference.
- Please read any other documents supplied with the product.

Explanation of symbols

Throughout this user manual the following symbols are used:

 Important information or useful tips about usage.

 Warning for possible hazards to health and property.

 Warning possibility of electric shock.

Product information correct at the time of publication in Sept. 2022. The company has a policy of continuous product development and reserves the right to change any products and specifications given in this manual.



This product's packaging material is recyclable. Help recycle it and protect the environment by dropping it off in the municipal receptacles provided for this purpose. Your product also contains a great amount of recyclable material. It is marked with this label to indicate the used appliances that should not be mixed with other waste. Contact your Council or your retailer for the used appliance collection points closest to your home. We thank you doing your part to protect the environment.

This product meets all the necessary standards for safety, health and environmental requirements.

Contents Page

01 - Before Using The Wine Cooler	04
02 - Safety	04
Children and general	04
03 - General Information	06
Wine cooler layout / control panel	06
04 - Operating Your Wine Cooler	07
Power on/off control	07
Energy efficiency	07
Temperature display windows	07
Temperature setting	07
Interior light on/off control	08
Bottle storage	08
Removing a bottle	08
Removing shelves	08
05 - Care & Maintenance	09
Cleaning your wine cooler	09
Power failure	09
Absence and holidays	09
Moving your wine cooler	09
Shelves	09
Door Seals	09
Energy saving tips	09
06 - Installation	10
Before installation	10
Integrated installation	10
Installing the handle	11
Fitting the side fixing bracket	11
Reversing the door	12
Connection to the mains supply	13
07 - Troubleshooting	14
08 - Error Codes	15
09 - Your Guarantee	16
10 - Technical Information	17

01 - Before Using The Wine Cooler


- **Please remove all packaging, stickers and films from the product's surface and clean the product's surfaces with a damp cloth and mild detergent before using for the first time.**
- **We recommended that you leave your wine cooler to stand for at least 4 hours before switching on to allow compressor oil to settle.**


02 - Safety


- This appliance is designed for household domestic use in an indoor environment. This appliance may be used in, offices, hotel guest rooms, bed & breakfast guest rooms, farm guest houses and similar domestic type use. (See Guarantee page)
- Use this appliance for storage of wine only.

Children & General

- **This appliance can be used by children aged from 8 years and above and persons with reduced physical, sensory or mental capabilities or lack of experience and knowledge if they have been given supervision or instruction concerning the use of the appliance in a safe way and understand the hazards involved.**
- **Children aged from 3 to 8 years are allowed to load and unload the appliance provided that they have been properly instructed.**
- **This appliance may be used by persons with very extensive and complex disabilities provided that they have been properly instructed. Children of less than 3 years of age should be kept away from the appliance unless continuously supervised.**
- **Children should be supervised to ensure that they do not play with the appliance.**
- **Children shall not carry out cleaning and user maintenance of the appliance without supervision.**
- **Keep all packaging away from children**
- The LED lamp inside this product is designed to withstand extreme physical conditions in household appliances, such as temperature, vibration, humidity, They are not intended to be used in other applications and are not suitable for household room illumination.
- LED lamp is replaceable by a service technician.

 **WARNING!**
Risk of fire and electric shock.

 **WARNING!**
When positioning the appliance, ensure the supply cord is not trapped or damaged.

 **WARNING!**
Do not use multi-plug adapters and extension cables.
Do not use if cable is damaged.

- Do not install the appliance close to radiators or cookers, ovens or hobs.
- Do not expose the appliance to the rain.
- Do not install the appliance where there is direct sunlight.
- Do not install this appliance in areas that are too humid or too cold.

Electrical Safety

- This appliance must be earthed.
- Make sure the values on the rating plate are compatible with the electrical mains power supply.
- Connect the mains plug to the socket at the end of the installation.
- Make sure the mains plug is accessible after installation.
- Do not pull the mains cable to disconnect the appliance. Always pull the mains plug body.
- Do not put electrical appliances (e.g. ice cream makers) in the appliance unless they are stated applicable by the manufacturer.


02 - Safety (Continued)




**R600a refrigerant is used in this appliance.
Never place or store flammable materials in or near to the appliance in order to avoid the risk of fire or explosion.**

Do not damage the refrigerant circuit.

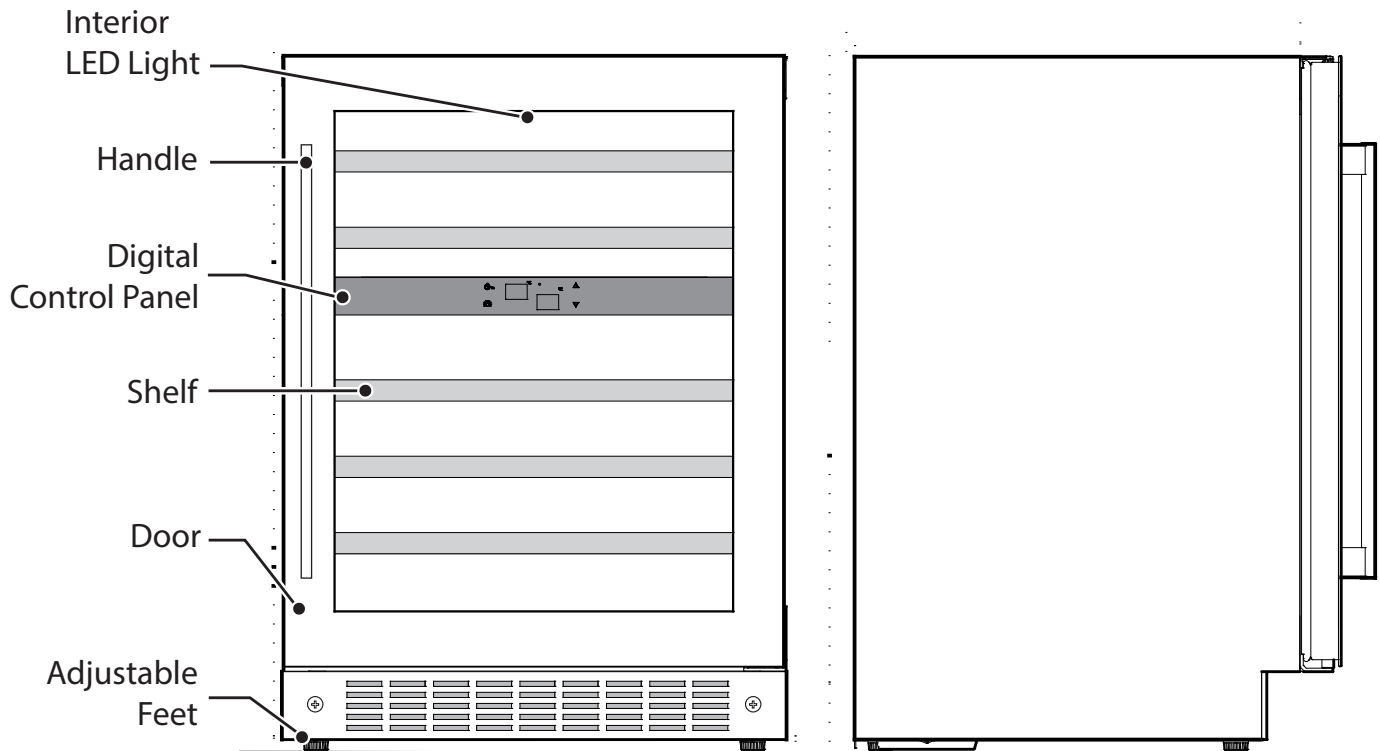
- If damage occurs to the refrigerant circuit, make sure that there are no flames or sources of ignition in the room whilst ventilating the room.
- Do not operate the appliance in the presence of explosive or flammable gases.
- Do not place the appliance or any of its parts near an open flame, cooking or other heating the appliance.
- Do not store explosive substances such as aerosol cans with a flammable propellant in this appliance.
- Do not use outdoors.

 Do not operate any electrical appliances inside the wine cooler.

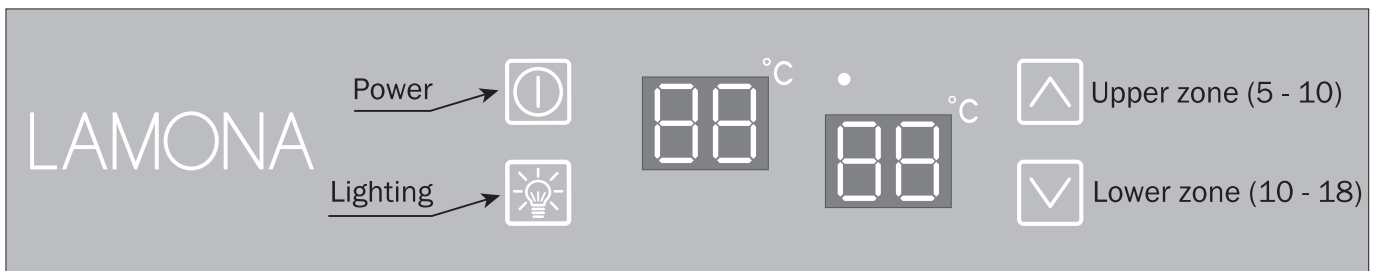
 To reduce the risk of fire, electric shock, or personal injury, unplug or disconnect the appliance from the power supply before moving or cleaning the appliance.

03 - General Information

Wine cooler layout / control panel



Control Panel



Max. Capacity 46 x 75cl Bottles


Note:

The appliance is designed for standard wine bottles. Other sized bottles may be stored but shelves may have to be removed or re-configured to suit.

* Do not cover the shelves with foil or anything which impedes airflow as this can affect the temperature in the appliance.


* If power is interrupted to the appliance, please check zone settings once power is restored.


04 - Operating Your Wine Cooler


 This refrigerating appliance is intended to be used at ambient temperatures ranging between 16°C to 38°C. (N - ST).

If the ambient temperature is above or below the recommended range (for example; extreme hot or cold conditions) the temperature range of 5°C to 18°C may not be reached.

This appliance is intended to be used exclusively for the storage of wine.

 The wine cooler will run continuously until the required temperature range is achieved. This is quite normal and not a cause for concern.


 If power is lost to the appliance you must wait 5 minutes before re-starting the appliance or it will not function correctly.

 Once the wine cooler is running for a few hours everything will be back to normal.

WATER LEAKAGE

If the door is not fully closed, the door seal is dirty or distorted, or if the wine cooler is run only for short periods of time, defrost water may overflow at the rear. Please avoid these situations.

Power on/off control

- When the appliance is plugged in to a power outlet, it powers on automatically.
- Touch the power symbol  and hold for 3 seconds to turn the appliance on/off.

Energy Efficiency

The most efficient use of the appliance is with the shelves arranged in their standard array, fully loaded with standard 75cl size wine bottles.





Select the appropriate temperature for the wine being stored to ensure preservation and quality.

Leaving the door open for long periods of time, turning the appliance on and off, running for short time periods will all result in a higher energy use and less than optimal storage conditions.

Temperature display window

- The number in the digital display reflects the temperature selected for the cooler.

Temperature setting





- The temperature setting range is 5-18°C
- The upper zone range is 5-10°C 
- The lower zone range is 10-18°C 
- Touch the   buttons to set the temperature for each zone. The temperature alters by 1°C with each touch of the button.

*Condensation may form on the inner door glass surface when the door is opened, depending upon the humidity in the room. This is normal.

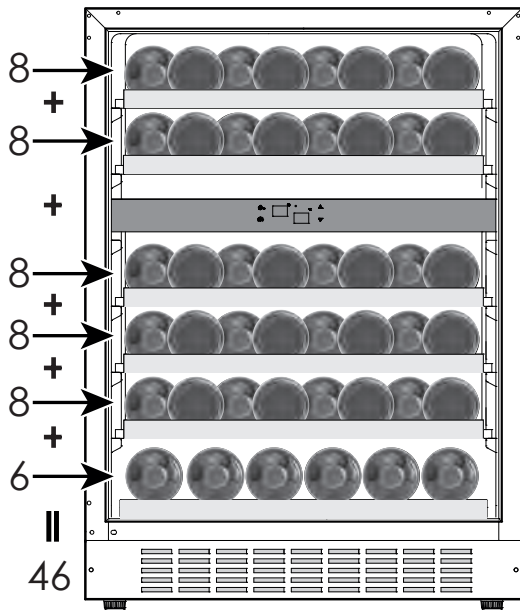
(If the temperature inside is higher than 23°C "HI" will display and an alarm will sound after 1 hour. If the temperature is below 0°C "LO" will display and an alarm will sound.)

- * Always store wine in sealed bottles.
- * Do not overload the wine cooler.
- * Only open the door when necessary and never leave the door open.
- * If not using for long periods of time; clean, dry and leave the door ajar to prevent mould and odours from forming.

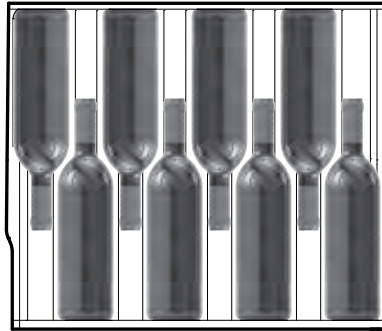
Interior light on/off control

- Touch the light symbol  to turn the interior LED lights on/off.
- To keep the light on permanently, press the  button for 5 seconds. The display will show "LP" and the light will remain lit.
- Press the  button again for 5 seconds and the display will show "LF" and the light will turn on for 10 minutes, when the  button is pressed and then turn off.

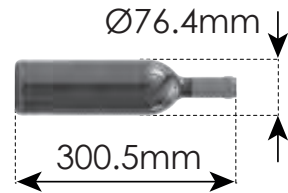
Bottle Storage Diagram



Full Shelves

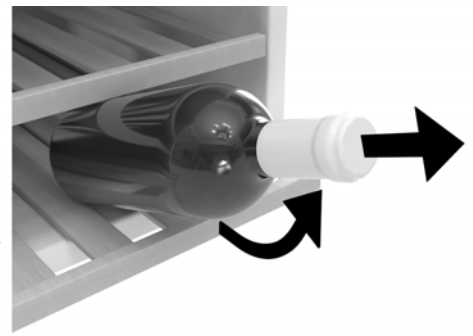
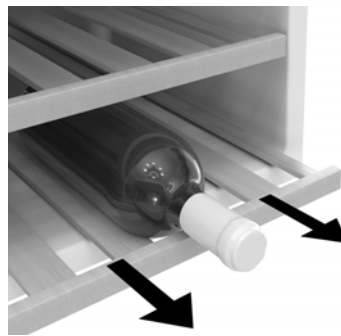


Half Shelves



To remove a bottle:-

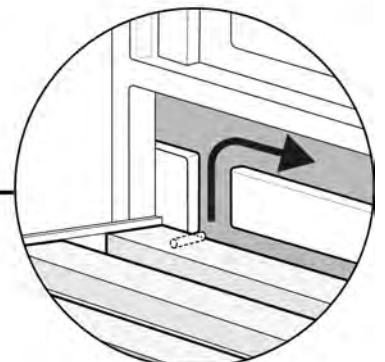
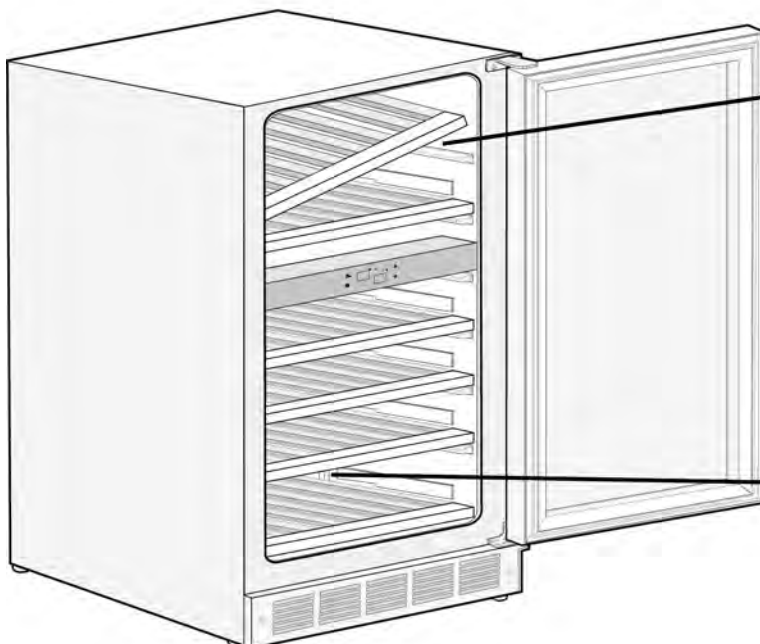
- Pull out shelf approx. 1/3rd
- Lift and remove bottle
- Push shelf back into position



To Insert a bottle:-

- Pull out shelf approx. 1/3rd
- Place bottle into shelf
- Push shelf back into position

Removing Shelves:-



05 - Care & Maintenance

Cleaning your wine cooler

- Turn off the power, unplug the appliance, and remove all items including shelves. (See page on shelf removal)
- Never use power washers or steam cleaners to clean the wine cooler.
- Clean the inside surfaces with a damp cloth and baking soda solution. The solution should be 2 tablespoons of baking soda to 1 litre of clean of water. Use a soft, dry, clean cloth to wipe dry. Do not allow liquid to enter the areas of the fans.
- Clean the shelves with a mild detergent and damp cloth, and dry.
- Clean the outside of the cabinet with a damp cloth with warm water and mild liquid detergent. Rinse well and wipe dry with a clean soft cloth.
- Use a damp, clean cloth when cleaning the area of the controls.

Power failure

- Most power failures are corrected within a few hours and should not affect the temperature of your appliance if you minimise the number of times the door is opened. If the power is going to be off for a longer period of time, you need to take the proper steps to protect the contents.

Absence & holidays

- For short holidays, leave the wine cooler in operation for periods of less than three weeks.
- For long absences or if the appliance will not be used for several months, remove all items, turn off the appliance and unplug. Clean and dry the interior thoroughly. To prevent odours and mould growth, leave the door open slightly: blocking it open if necessary.

Moving your wine cooler

- Remove all items
Securely tape down the shelves inside your appliance.
- Wind in the adjustable legs up to the base in order to avoid damage.
- Tape the door shut.
- Protect the outside of the appliance with a blanket, or similar item.

Shelves

- To prevent damaging the door gasket, make sure the door is fully opened when pulling shelves out of the compartment.
- The shelves are designed for 75cl Bordeaux bottle storage. The maximum loaded amount of bottles may vary according to the size or dimensions of bottles you store.

Door Seals

- The wine cooler's door seals can be removed for cleaning as necessary.
Power the appliance off.
Locate a door corner and gently pull the seal out of it's channel, slowly working along.
Clean seal using warm water and a mild detergent, dry thoroughly and press seal into it's channel .
Ensure door and seal close correctly.
Power on wine cooler.
(*Careful not to damage seal)

Energy saving tips

- The wine cooler should be located in the coolest area of the room, away from heat producing appliances, and out of direct sunlight.
- Ensure that the unit is adequately ventilated
Never cover air vents.
- Only open the door for as long as necessary.

06 - Installation

Before installation

The product should only be installed by a suitably competent person.

! The product must be installed in accordance with all local regulations.

! Prior to installation, visually check the product for any damage/defects. Do not install if any issues are found.

Damaged products may cause risks to your own safety.

! Let the appliance stand upright for approximately 4 hours before connecting it to the power source. This helps to reduce the possibility of a cooling-system malfunction from handling or transportation.

The appliance is intended for installation between Howdens kitchen cabinets.

Kitchen cabinets must be set level and fixed.

The following installation drawings are representational and may not match exactly with your appliance.

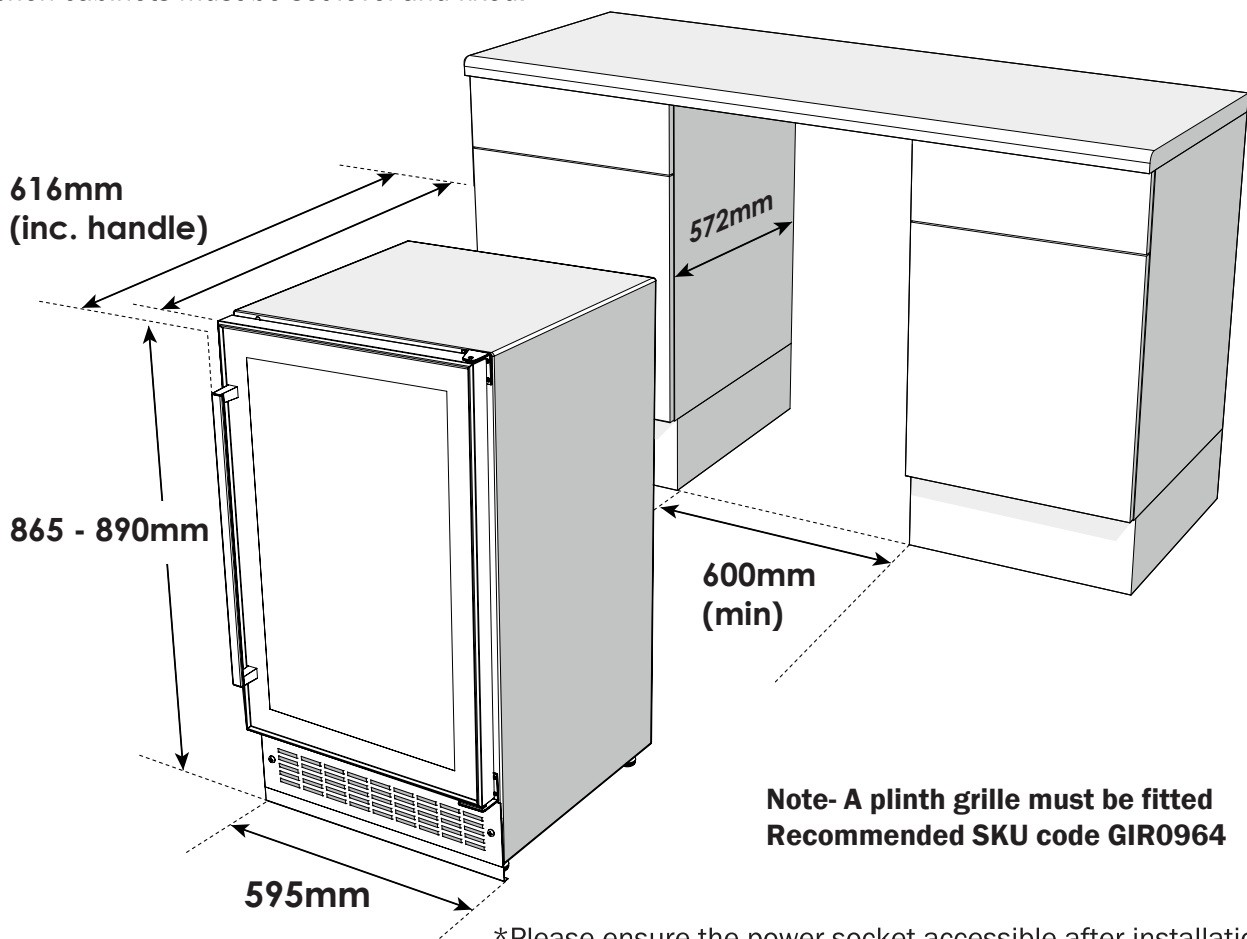
Integrated installation

When integrating your wine cooler into a fitted kitchen, sufficient space is required to allow the wine cooler to be fully ventilated and for the door to be opened fully. The appliance may need to be positioned off centre to overcome any door collision issues.

i Ensure your cabinet aperture meets the minimum dimensions listed below.

CABINET OPENING DIMENSIONS

	mm (Minimum)
Height	870
Width	600
Depth	572

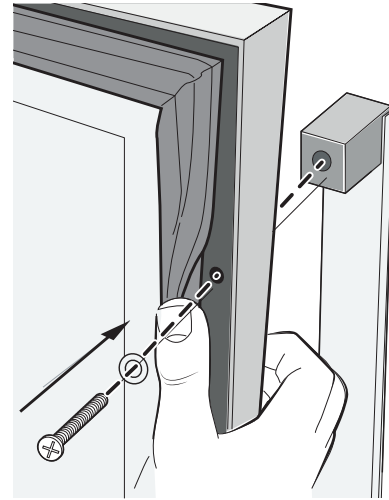


*Please ensure the power socket accessible after installation

Installing the handle

NOTE- PH headed screws

- Gently peel back the door seal to reveal the fixing holes.
- Insert the upper screw and loosely tighten.
- Insert the lower screw and loosely tighten
- Fully tighten upper screw
- Fully tighten lower screw
- Re-insert door seal

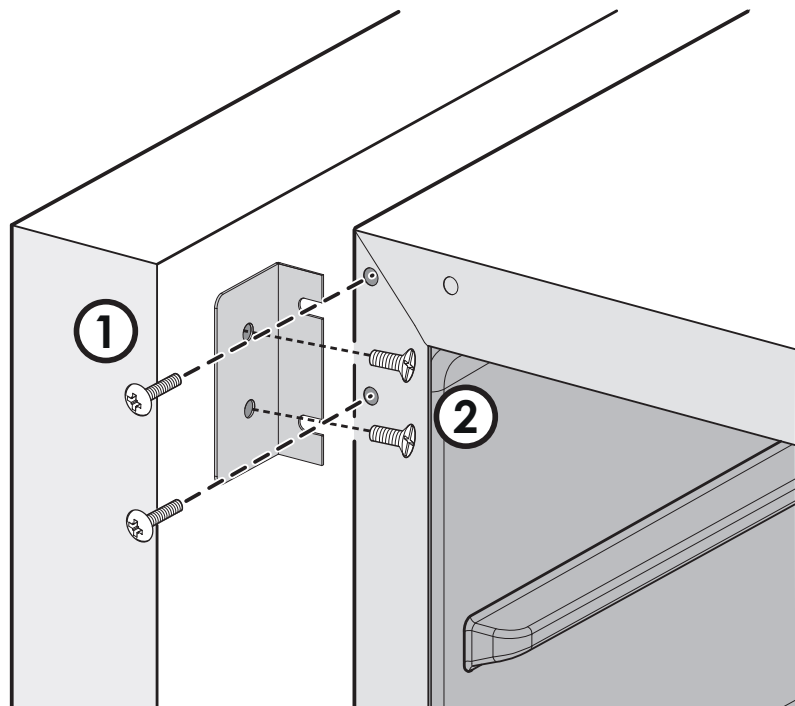


Side Fixing Bracket

Secure the appliance to the adjacent cabinet with the side fixing bracket.

NOTE- PH headed screws

1. Remove plastic covers
2. Fix bracket to wine cooler using 2 x M4 (16 x 2) screws
3. Adjust bracket to suit and fix to adjacent cabinet with 2 x ST4 (16 x 2) screws



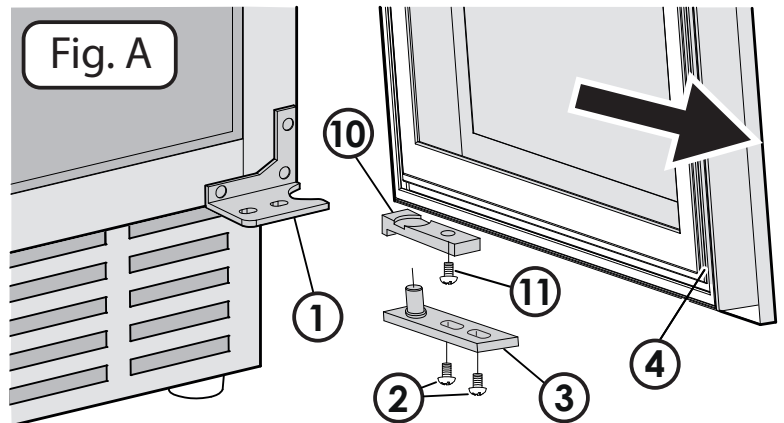
Reversing the Door

CAUTION - DOOR IS HEAVY

(Use Fittings Kit supplied)

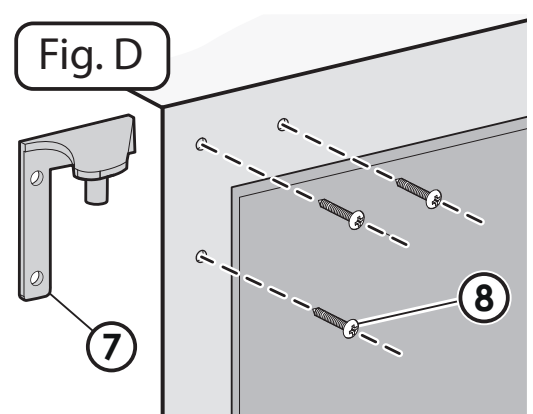
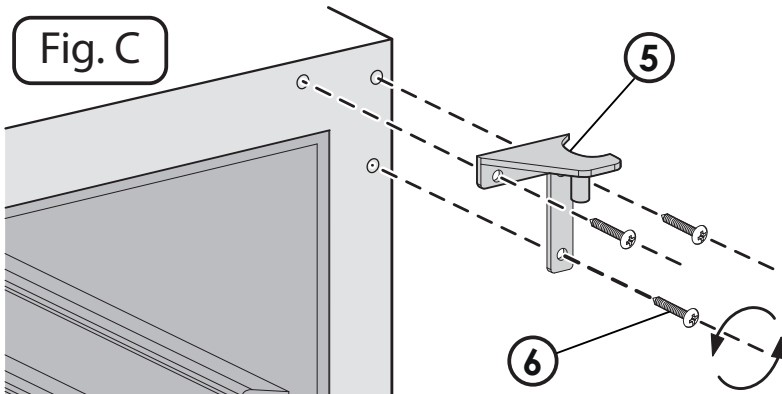
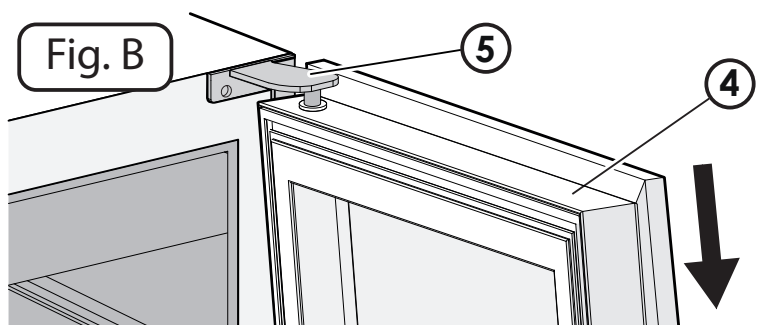
(Fig. A). Open the door to a 90 degree angle, take out the 2 screws (2) from the lower door axis plate (3) and carefully remove the door (4). Remove the axis plate (3) from the door, remove the screw (11) located underneath the door frame and remove the limit device (10) from the door frame. Remove screws and lower hinge plate (1)

1	Lower hinge plate (Right)
2	Screws
3	Doors axis plate
4	Door
5	Top hinge plate (Right)
6	Hinge plate screws
7	Top hinge plate (Left)
8	Hole covers
9	Lower hinge plate (Left)
10	Door open limit
11	Limit screw



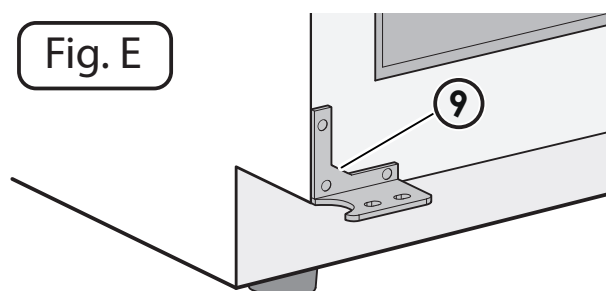
(Fig. B/C) Remove screws and top hinge plate (5) and screws (6). Insert plastic covers (8) into empty screw holes.

Rotate door so handle is on the left. Re-attach door limit device (10) with screw (11) onto the bottom of door. (Hinge side)




(Fig.D/E) Remove plastic hole covers (8) and attach door hinge plate Left) (7) using screws (6)


Attach lower hinge plate Left (9) using screws (6) and re-install door. Align door using hinge axis plate and fix using screws (2)



Connection to the mains supply

Check that the voltage marked on the product corresponds with your supply voltage.

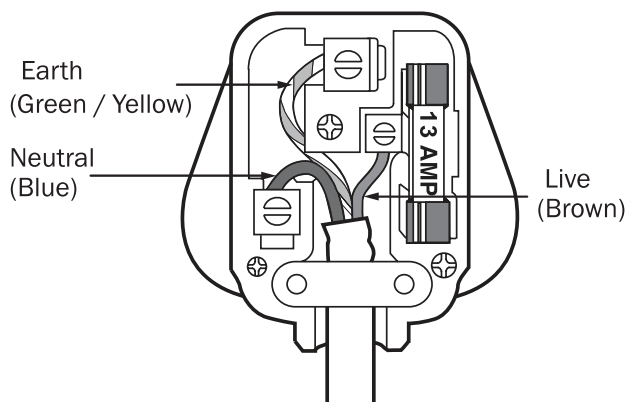
 This Appliance Must Be Earthed

 The wires in the mains lead are coloured in accordance with the following code:


GREEN / YELLOW - EARTH

BLUE - NEUTRAL


BROWN- LIVE



This appliance is fitted with a plug which has a 13 amp fuse. Should the fuse fail, then it must be replaced with an ASTA approved fuse (conforming to BS1362) of the same rating. If you need to replace the plug or if the plug is

 If you need to remove the plug, cut it from the mains lead and immediately dispose of it. Never attempt to re-use this plug or insert it into a socket outlet as there is a very great risk of an electric shock.

incorrect for your type of socket, remove it, and replace it with an appropriate plug. Dispose of the old plug safely.

As the colours of the wires in the mains lead of this appliance may not correspond with the coloured markings identifying the terminals in your plug, proceed as follows: The **GREEN / YELLOW** wire is the EARTH and must be connected to the terminal which is marked with the letter ' E ' or by the earth symbol 

The **BLUE** wire is the **NEUTRAL** and must be connected to the terminal which is marked with the letter ' N ' or coloured **BLACK**.

The BROWN wire is the LIVE wire and must be connected to the terminal which is marked with the Letter ' L ' or coloured **RED**.

Always ensure that the plug cord grip is fastened correctly, if in doubt consult a qualified electrician. This product conforms to all current EU Directives.

Non-Rewireable Mains Plug

If your appliance is supplied with a non-rewireable plug fitted to the mains lead, you will find that it incorporates a fuse, the value of which is indicated either on the base of the plug or on the fuse carrier. Should the fuse need replacing, you must use an ASTA approved one (conforming to BS1382) of the same rating.

If the fuse cover is lost, the plug must not be used.

07 - Troubleshooting

TROUBLESHOOTING GUIDE

Symptoms	Possible Cause	Solutions
No cooling	<ul style="list-style-type: none"> • Plug not put in correctly • Low voltage • Fuse blown 	<ul style="list-style-type: none"> • Ensure the plug is in and the socket is switched on • Ensure normal voltage • Replace the fuse with the recommended AMP rating
Temperature inside is not cold enough	<ul style="list-style-type: none"> • The wine cooler is placed too close to a heat source • Bad ventilation • The door is not closed tightly, or opened too frequently or for too long 	<ul style="list-style-type: none"> • Keep the wine cooler away from sunshine or other heat sources • Ensure the grille vents are kept clear • Close the door tightly and do not open the door too frequently or for too long
Strange smell inside the wine cooler	<ul style="list-style-type: none"> • Check contents for anything sour or perishable. 	<ul style="list-style-type: none"> • Remove any perishable items and clean thoroughly.
Leaking	<ul style="list-style-type: none"> • The door is not closing properly • The wine cooler is defrosting 	<ul style="list-style-type: none"> • Check bottles are placed correctly. • This is a normal automatic function, and no repair is needed.
Frost is forming on the cooling surface	<ul style="list-style-type: none"> • There may be too much humidity or the temperature is too low inside the case. 	<ul style="list-style-type: none"> • Disconnect the power to the wine cooler and defrost manually, reconnect the power once the frost has thawed.
The wine cooler seems to make noises	<ul style="list-style-type: none"> • Noises may come from the working of the compressor or refrigerant, which is normal. • As each cycle ends, you may hear gurgling sounds caused by the flow of the refrigerant. • Contraction and expansion of the inside walls may cause popping and crackling noises. 	<ul style="list-style-type: none"> • Some noises are normal and no cause for concern • Check to assure that the appliance is level and not touching the surrounding cabinetry.
The door will not close properly	<ul style="list-style-type: none"> • The wine cooler is not level • The door gasket may dirty. • The shelves or bottles may be misaligned 	<ul style="list-style-type: none"> • Adjust the products feet to ensure the product is level • Clean the door gasket with warm water and a damp cloth - then dry thoroughly. • Re-adjust the shelves or bottles
The display window is shows an error code	<ul style="list-style-type: none"> • See following page for Error Codes and condition 	<ul style="list-style-type: none"> • Consult your authorized service agent



If you cannot eliminate the problem after following the instructions in this section, consult your depot or the authorised service agent. Never try to repair a nonfunctional product yourself.

08 - Error Codes

Code	Representation
E1	Upper compartment sensor open circuit
E2	Upper compartment sensor short circuit
E3	Lower compartment sensor open circuit
E4	Lower compartment sensor short circuit
E7	Defrost sensor open circuit

E8	Defrost sensor short circuit
HI	Inner temperature too high
LO/ CL	Inner temperature too low



If you cannot eliminate the problem after following the instructions in this section, consult your depot or the authorised service agent. Never try to repair a nonfunctional product yourself.

09 - Your Guarantee

Product Guarantee Details (UK Only)

Your appliance has the benefit of a comprehensive manufacturer's guarantee which covers the cost of breakdown repairs. (Details of which are shown on your Proof of purchase Document).

- Any claim during the period of the guarantee MUST BE ACCOMPANIED BY THE PROOF OF PURCHASE.
- The product must be correctly installed and operated in accordance with the manufacturer's instructions and used for normal domestic purposes.
- This guarantee does not cover accidental damage, misuse or alterations which are likely to affect the product.
- The guarantee is invalid if the product is tampered with, or repaired by any unauthorised person.

(The guarantee in no way affects your statutory or legal right)

What to do if you need to report a problem.

Please ensure you have ready:

- The product's model and serial numbers.
- Howdens Proof of Purchase Document.
- Your full contact details.

Call the Depot number on your Proof of Purchase Document supplied with the product / kitchen.

or

**Call the LAMONA Service Line on 0344 460 0006 (UK)
01525 5703 (ROI)**

*Product installed within a domestic kitchen or a non-domestic kitchen where 8 or fewer people are using the appliance.

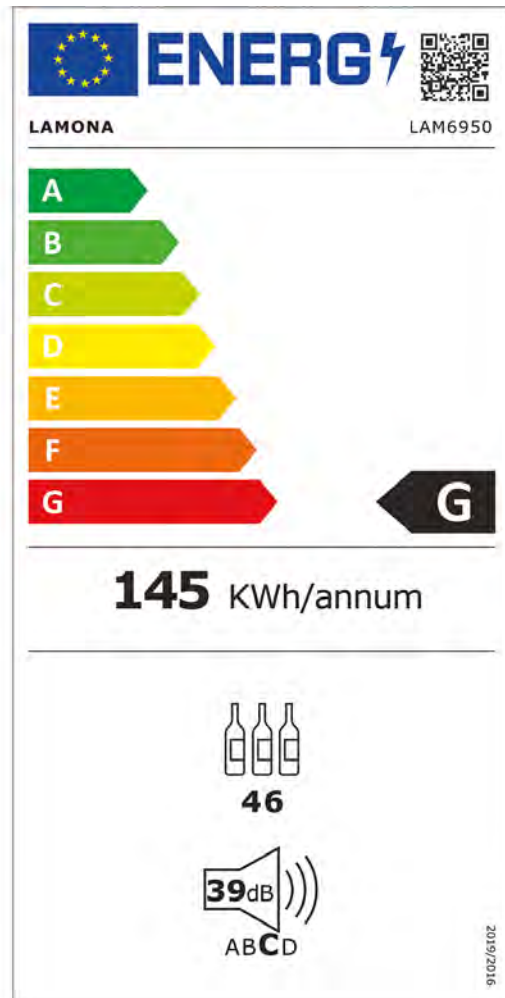
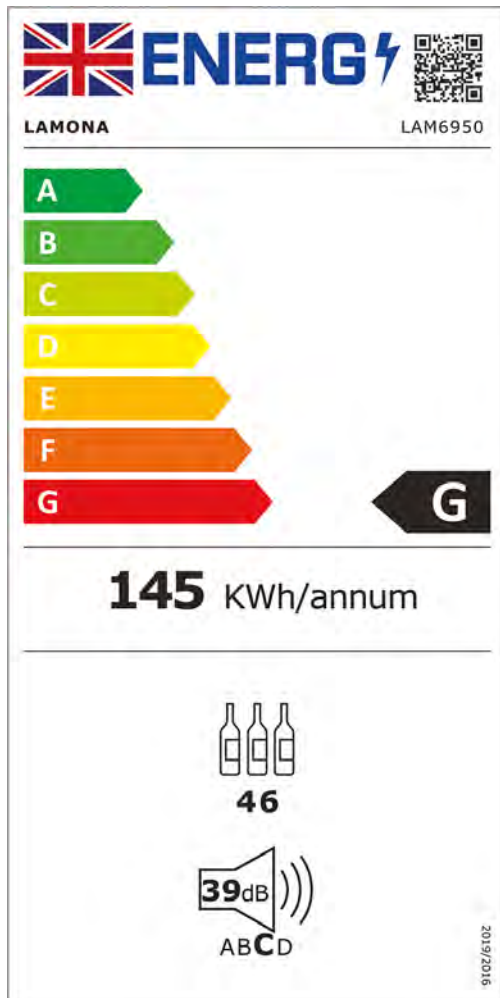
Where to find the model and serial number on your machine.	Inside the machine on the left hand side.
---	--

Spare parts available for 7 years (Door seals 10 years)

www.lamonaspares.co.uk

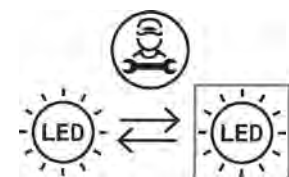
Information

The model's technical information can be retrieved by scanning the QR code on the Energy label and proceeding to the website entering the model identifier.

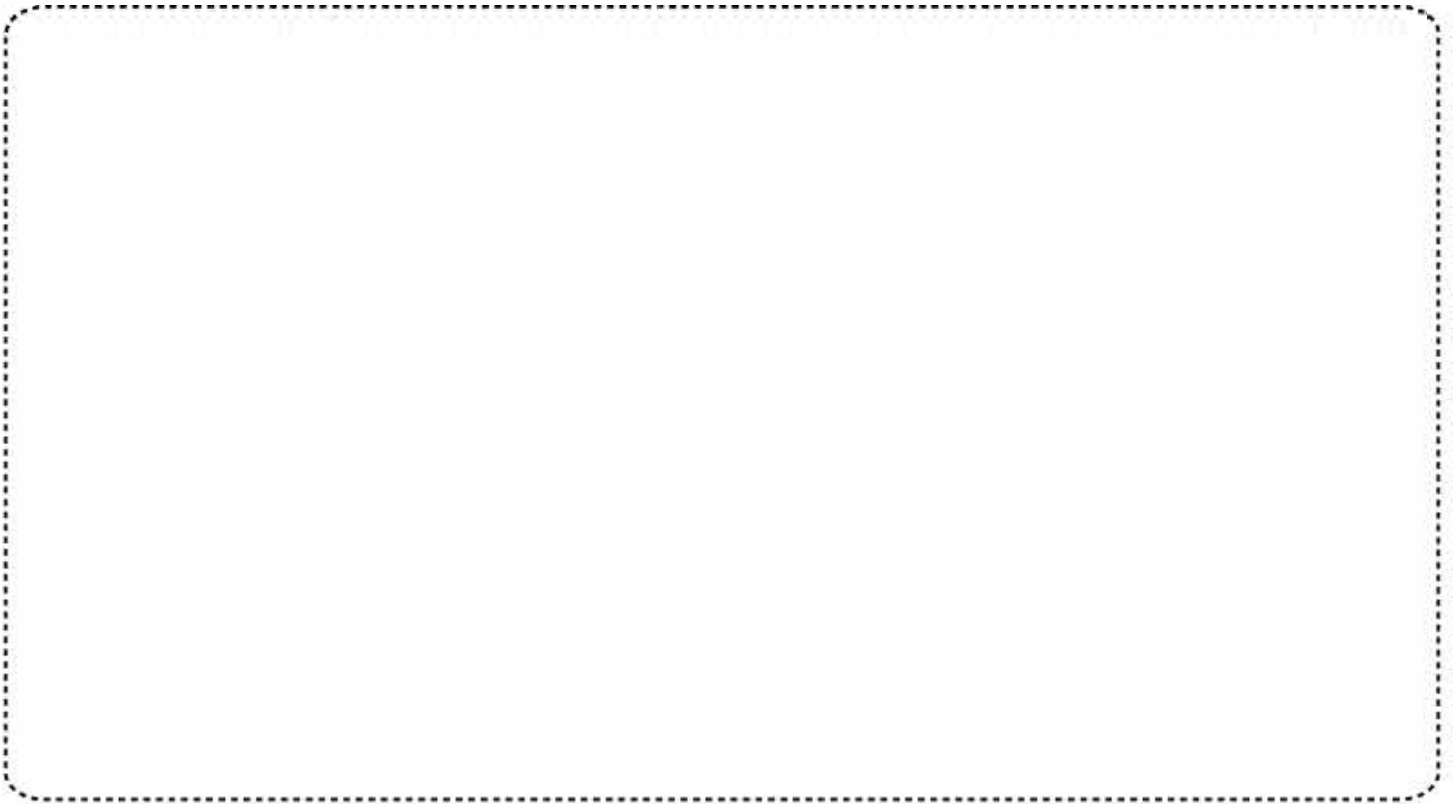


LED lighting in this product can only be replaced by a service agent.

The wine cooler contains LED light sources of energy efficiency class G



TECHNICAL INFORMATION	
General	
Total power consumption	80 W
Fuse	13 Amp
Voltage / Frequency	220-240 V 50 Hz
Total Input Power	80w
Cable length	1.8 Metres
Lamps	1 x 1.7w 2500k LED



Product Serial Number
(Place sticker here)

LAMONA

at the heart of the kitchen

Imported in EU by: Howdens Cuisines SAS, Z.A. du Bois Rigault Nord
1 Rue Calmette, 62880 Vendin-le-Vieil, Cedex, France

Howden Joinery Ltd, Thorpe Road, Howden, East Yorkshire, DN14 7PA

Product information correct at the time of publication in Sept. 2022.
The company has a policy of continuous product development and reserves the right to change any products and specifications given in this manual. Subject to the Terms and Conditions of Trading, a copy of the Howdens Terms and Conditions is available upon request.

Copyright © 2022 Howden Joinery Ltd. All rights reserved.

