

H 2850 B

Oven

seamless design with clear text display and PerfectClean.



- 7-segment display with retractable rotary controls – EasyControl
- Particularly easy to clean – PerfectClean finish
- Lots of room and flexibility – 76 l oven capacity on 5 levels
- Protects against burns – touch-cool fronts
- Fewer fingerprints and easy to clean – CleanSteel

A+

EAN: 4002516156758 / Material number: 11093310 / Old Material Number: 22285044GB

Construction type and design	
Built-in oven	•
PureLine	•
Appliance Colour	Stainless steel/Clean Steel
Retractable rotary controls	•
Convenience features	
Rapid heat-up	•
Operating modes	
Defrosting	•
Eco fan heat	•
Grill operating modes	•
Grill	•
Fan plus	•
Intensive bake	•
Conventional heat	•
Bottom heat	•
Fan grill	•
User convenience	
Display	EasyControl
Minute minder	•
SoftOpen	•
SoftClose	•
Recommended temperature	•
Timer functions	•
Time of day display	•
Programmable end of cooking duration	•
Programmable cooking duration	•
Actual temperature display	•
Target temperature display	•
Buzzer when desired temperature is reached	•
Individual settings	•
Efficiency and sustainability	
Energy efficiency class (A+++ – D)	A+
Cleaning convenience	
Stainless steel/CleanSteel finish	•
Oven compartment with PerfectClean and catalytically enamelled liners	•
Hinged grill element	•
CleanGlass door	•
Safety	
Appliance cooling system and touch-cool front	•
Safety switch-off	•
System lock	•
Technical data	
Oven compartment volume in l	76
No. of shelf levels	5
Number of shelf levels oven compartment 1	5
Number of shelf levels oven compartment 2	5
Numbered shelf levels	•
Oven light	1 halogen spot

H 2850 B

Oven

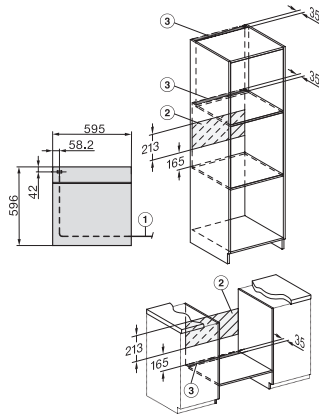
seamless design with clear text display and PerfectClean.



EAN: 4002516156758 / Material number: 11093310 / Old Material Number: 22285044GB

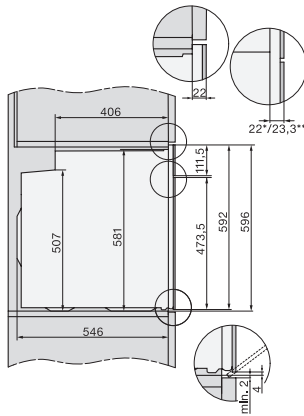
Voltage in V	220-240
Number of phases	1
Electronic temperature regulation min. in °C	30
Electronic temperature regulation max. in °C	250
Niche width min. in mm	560
Niche width max. in mm	568
Niche height min. in mm	590
Niche height max. in mm	595
Niche depth in mm	550
Appliance width in mm	595
Appliance height in mm	596
Appliance depth in mm	569
Weight in kg	42.0
Total rated load in kW	3.50
Frequency in Hz	50
Fuse rating in A	16
Length of supply lead in m	1.50
Replacing lamps	Customer
Accessories supplied	
Universal tray with PerfectClean	1
Baking and roasting rack without PerfectClean	1
FlexiClip runners with PerfectClean	0
Removable side runners (pair)	1

H 2850 B Oven seamless design with clear text display and PerfectClean.



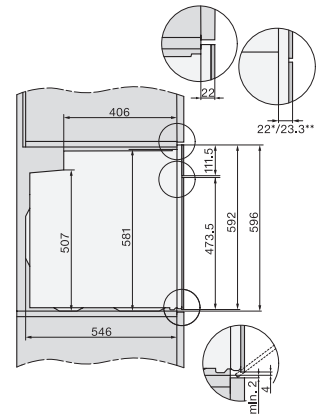
H226x-1B/BP/E/EP/1P, H2760B/BP, H28x0B/BP, H7x6xB/BP/BPX, installation drawings, GB, AUS

1) Netzanschlussleitung, L=1500 mm, 2) In diesem Bereich kein Anschluss, 3) Lüftungsausschnitt min. 150 cm²



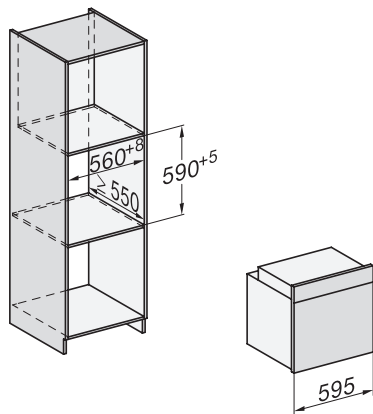
H2760B/BP, H28x0B/BP, H7x6xB/BP/BPX, DGC7351, DGC7151, installation drawings

22 mm – glass, 23,3 mm – metal

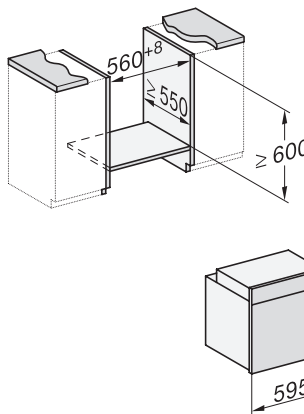


H2760B/BP, H28x0B/BP, H7x6xB/BP/BPX, installation drawings

22 mm – glass, 23,3 mm – metal



H226x-1B/BP/E/EP/1P, H2760B/BP, H28x0B/BP, H7x6xB/BP/BPX, installation drawings

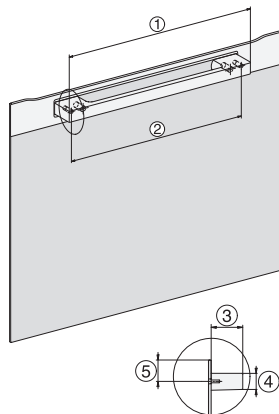


H226x-1B/BP/E/EP/1P, H2x6xB/BP, H7x6xB/BP/BPX, installation drawings

If the oven is to be installed under a hob, follow the instructions for installing the hob and the height of the hob.

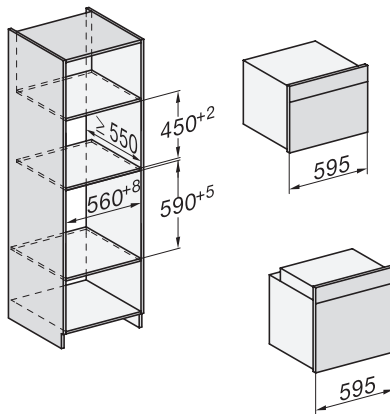
H226x-1B/E/1, H2x6xB, H7x6xB, installation drawings, GB, AUS

1) Mains connection cable, L=2000 mm, 2) No connection in this area, 3) Lüftungsausschnitt min. 150 cm²

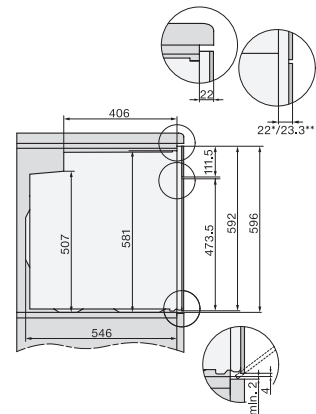


DG2840, DG7x40, DGC7x4x, DG7x6x, DGC7x6x, DGD7635, DGM7x4x, DO7, H28B/BP, H7x4xB/BM/BP, H7x6xB/BP, installation drawing

1) 400 mm, 2) 360 mm, 3) 47 mm, 4) 24 mm, 5) 32.5 mm



H226x-1B/BP/E/EP/1P, H2760B/BP, H28x0B/BP, H7x40BM/BMX, H7x6xB/BP/BPX, installation drawings



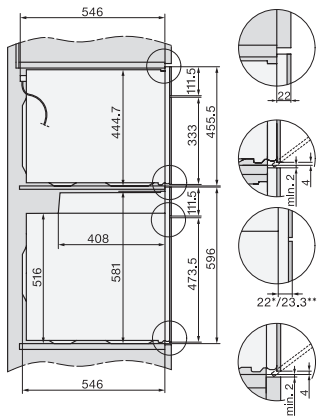
H2760B/BP, H28x0B/BP, H7x6xB/BP/BPX, installation drawings

22 mm – glass, 23,3 mm – metal

H 2850 B

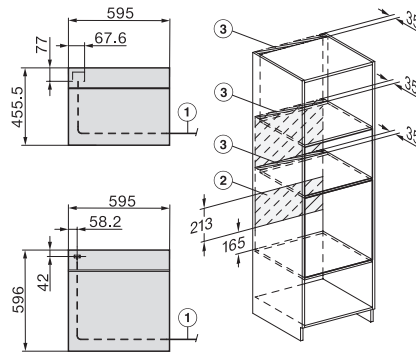
Oven

seamless design with clear text display and PerfectClean.



H2xxx-1 B/BP/E/I/IP, H7xxx B/BP/BM/BMX, installation drawings

22 mm – glass, 23,3 mm – metal



H2xxx-1 B/BP/E/I/IP, H7xxx B/BP/BM/BMX, installation drawings

22 mm – glass, 23,3 mm – metal